

Piezo Stainless Steel Washbasin Taps SLU 91NP, SLU 92NP, SLU 93NP

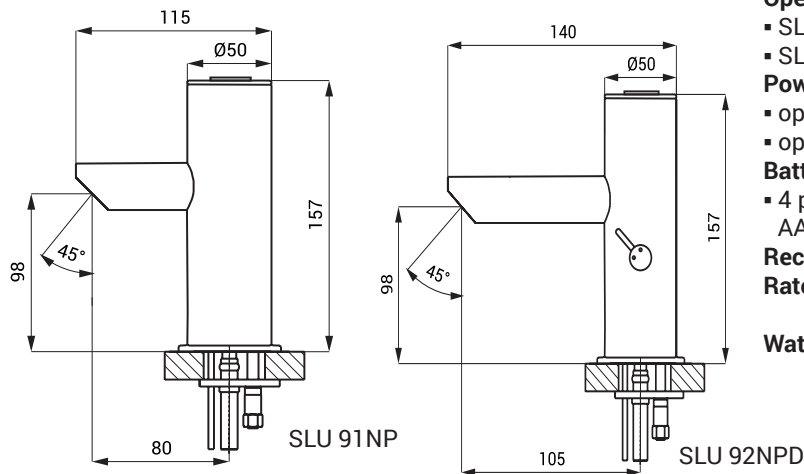


Characteristics



- economical aerator, rate of flow 6 l/min
- hygienic flush
- vandal-proof
- lead free
- whole stainless steel
- electromagnetic valve is in the tap body
- SLU 91NP is destined for cold or premixed water
- SLU 92NP is destined for cold and hot water, temperature is regulated by mixer
- SLU 93NP is destined for cold and hot water, temperature is regulated by angle valves
- index D - longer spout
- water flows after soft push of the piezo button
- water stops flowing after adjustable flowing time (can be set in 2 - 62 s), standard 10 s
- water could be stopped by follow-up soft push of piezo button
- monitoring of battery capacity (for models with index B)
- parameter adjustment using by the remote control SLD 04

Dimensions



Technical Specification

Operating voltage

- SLU 91NP, SLU 92NP, SLU 93NP 24 V DC
- SLU 91NPB, SLU 92NPB, SLU 93NPB 6 V

Power input

- operating by 24 V DC 3 W
- operating by 6 V 2 W

Battery life

- 4 pcs. AA alkaline batteries approx. 2 years (100 uses per day)
- AA, 1,5 V, 2700 mAh

Recommended flow pressure

- 0,1 - 0,6 MPa

Rate of flow

- 6 l/min.

(inf. data)

Water inlet

- male thread

- G 1/2"

Supply Specification

SLU 91NP	- Supply No. 66911	faucet with piezo electronics and electromagnetic valve, connecting hoses,
SLU 91NPB	- Supply No. 66912	filter (1 pc.), 4 pcs. AA alkaline batteries 1,5 V, 2700 mAh (for models with index B)
SLU 91NPD	- Supply No. 66913	
SLU 91NPDB	- Supply No. 66914	
SLU 92NP	- Supply No. 66921	faucet with mixer and piezo electronics and electromagnetic valve, connecting hoses,
SLU 92NPB	- Supply No. 66922	filter with check valve (2 pcs.), 4 pcs. AA alkaline batteries 1,5 V, 2700 mAh
SLU 92NPD	- Supply No. 66923	(for models with index B)
SLU 92NPDB	- Supply No. 66924	
SLU 93NP	- Supply No. 66931	faucet with piezo electronics and electromagnetic valve, Y-piece, connecting hoses,
SLU 93NPB	- Supply No. 66932	filter with check valve (2 pcs.), 4 pcs. AA alkaline batteries 1,5 V, 2700 mAh
SLU 93NPD	- Supply No. 66933	(for models with index B)
SLU 93NPDB	- Supply No. 66934	

Recommended Accessories

SLZ 01Y	-	Supply No. 05012	power supply 24 V DC for operating of max. 10 pcs. of washbasin taps
SLZ 01Z	-	Supply No. 05011	power supply 24 V DC for operating of max. 20 pcs. of washbasin taps
SLZ 04Y	-	Supply No. 05042	power supply 24 V DC for DIN rail, for operating of max. 10 pcs. of washbasin taps
SLZ 04Z	-	Supply No. 05041	power supply 24 V DC for DIN rail, for operating of max. 20 pcs. of washbasin taps
SLZ 04X	-	Supply No. 10049	power supply 24 V DC for DIN rail, for operating of max. 30 pcs. of washbasin taps
SLZ 06	-	Supply No. 05060	power supply 24 V DC for operating of max. 1 pc. of washbasin tap
SLD 04	-	Supply No. 07040	remote control for an adjustment of parameters
SLT 04	-	Supply No. 09040	thermostatic valve 3/4", rate of flow 28 l/min by the pressure 0,1 MPa
SLT 05	-	Supply No. 09050	thermostatic valve 1/2", rate of flow 42 l/min by the pressure 0,1 MPa
SLA 32	-	Supply No. 06320	elongation 30 mm for SLU 91NP, 92NP, 93NP
SLA 33	-	Supply No. 06330	elongation 150 mm for SLU 91NP, 92NP, 93NP
SLA 36	-	Supply No. 06360	set of 4 pcs. alkaline batteries AA, 1,5 V, 2700 mAh (for models with index B)
SLA 56A	-	Supply No. 06560	economical aerator 3,8 l/min
SLA 56B	-	Supply No. 06561	economical aerator 1,9 l/min