

Electronic Touch Shower Control SLS 30

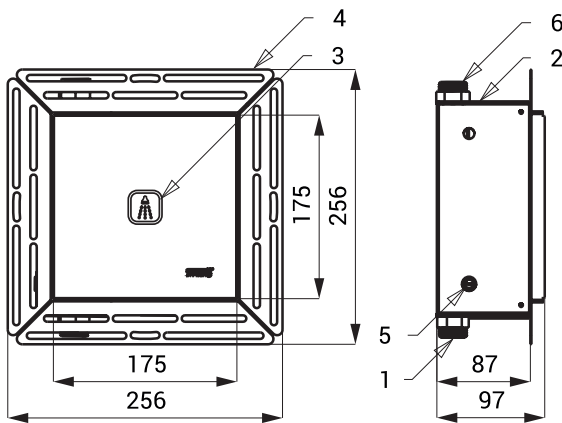


SLS 30E

Characteristics

- **hygienic flush**
- is destined for cold or premixed water
- water is flowing after the gentle touch of a symbol on a glass cover
- water stops flowing after adjustable flowing time (can be set in range 10 s - 310 s), standard 120 s
- water could be stopped by follow-up gentle touch of backlit symbol
- function of automatic water stop after 5 minut of continuous flow
- parameters adjustment using by the remote control SLD 04

Installation Drawing



- 1 - water inlet G 3/4"
- 2 - mounting box with ball valve and electromagnetic valve
- 3 - glass cover
- 4 - stainless steel frame
- 5 - power supply 24 V DC
- 6 - water outlet G 3/4"

Technical Specification

Glass cover dimension	170 x 170 mm
Mounting box dimension	200 x 200 x 80 mm
Operating voltage	
▪ SLS 30	24 V DC
Power input	
▪ by operating 24 V DC	7 W
Recommended flow pressure	0,1 - 0,6 MPa
Rate of flow	12 l/min. (inf. data)
Water inlet	male thread G 3/4"
Water outlet	male thread G 3/4"

Supply Specification

SLS 30B	- Supply No. 02300	glass cover in stainless steel mounting frame with electronics (colour light grey REF 9006, backlit of the symbol cyan), stainless steel mounting box with brass screw coupling, electromagnetic valve and ball valve, waterproofing foil
SLS 30C	- Supply No. 02301	glass cover in stainless steel mounting frame with electronics (colour dark grey REF 7016, backlit of the symbol white), stainless steel mounting box with brass screw coupling, electromagnetic valve and ball valve, waterproofing foil
SLS 30D	- Supply No. 02302	glass cover in stainless steel mounting frame with electronics (colour metallic black REF 0337, backlit of the symbol white), stainless steel mounting box with brass screw coupling, electromagnetic valve and ball valve, waterproofing foil
SLS 30E	- Supply No. 02303	glass cover in stainless steel mounting frame with electronics (colour black REF 9005, backlit of the symbol white), stainless steel mounting box with brass screw coupling, electromagnetic valve and ball valve, waterproofing foil

Recommended Accessories

SLZ 01Y	- Supply No. 05012	power supply 24 V DC for operating of max. 5 pcs. of showers
SLZ 01Z	- Supply No. 05011	power supply 24 V DC for operating of max. 9 pcs. of showers
SLZ 04Y	- Supply No. 05042	power supply 24 V DC for DIN rail, for operating of max. 5 pcs. of showers
SLZ 04Z	- Supply No. 05041	power supply 24 V DC for DIN rail, for operating of max. 9 pcs. of showers
SLZ 04X	- Supply No. 10049	power supply 24 V DC for DIN rail, for operating of max. 15 pcs. of showers
SLZ 06	- Supply No. 05060	power supply 24 V DC for operating of max. 1 pc. of shower
SLD 04	- Supply No. 07040	remote control for an adjustment of parameters
SLT 04	- Supply No. 09040	thermostatic valve 3/4", rate of flow 28 l/min by the pressure 0,1 MPa
SLT 05	- Supply No. 09050	thermostatic valve 1/2", rate of flow 42 l/min by the pressure 0,1 MPa
SLT 07	- Supply No. 09070	thermostatic valve 3/4", rate of flow 43 l/min by the pressure 0,1 MPa
SLT 08	- Supply No. 09080	thermostatic valve 1", rate of flow 53 l/min by the pressure 0,1 MPa
SLT 09	- Supply No. 09090	thermostatic valve 5/4", rate of flow 82 l/min by the pressure 0,1 MPa
SLT 10	- Supply No. 09100	thermostatic valve 6/4", rate of flow 155 l/min by the pressure 0,1 MPa
SLT 12B	- Supply No. 09121	thermostatic valve 1/2", rate of flow 20 l/min by the pressure 0,1 MPa
SLT 12C	- Supply No. 09122	thermostatic valve 1/2", rate of flow 20 l/min by the pressure 0,1 MPa
SLT 12D	- Supply No. 09123	thermostatic valve 1/2", rate of flow 20 l/min by the pressure 0,1 MPa
SLT 12E	- Supply No. 09124	thermostatic valve 1/2", rate of flow 20 l/min by the pressure 0,1 MPa
SLA 03	- Supply No. 06030	vandal-proof shower head with possibility to set an angle of water flow
SLA 13	- Supply No. 06130	vandal-proof shower head with possibility to set an angle of water flow
SLA 14	- Supply No. 06140	vandal-proof shower head
SLA 28	- Supply No. 06280	shower head
SLA 39	- Supply No. 06390	vandal-proof shower head
SLA 40	- Supply No. 06400	vandal-proof shower head with possibility to set an angle of water flow
SLA 45	- Supply No. 06540	suction cup for disassembly of glass panels



SLT 12E