

SANITARY ELECTRONICS | STAINLESS STEEL PRODUCTS







SLU 60/SLZD 19



SLZD 26



SLZD 18 | SLZD 17

AUTOMATIC INFRA-RED, PIEZO AND RADAR URINAL FLUSHING UNITS	5
DIVIDING CURTAINS BETWEEN URINALS	11
AUTOMATIC INFRA-RED AND PIEZO WASHBASIN TAPS	15
ECONOMICAL AERATORS	19
AUTOMATIC INFRA-RED WASHBASIN TAPS - COLOR ELITE LINE	21
HYBRID SINK FAUCET	24
AUTOMATIC INFRA-RED AND PIEZO WALL-MOUNTED WASHBASIN TAPS	25
AUTOMATIC WASHBASIN TAPS WITH INTEGRATED SOAP DISPENSER AND AUTOMATIC SOAP DISPENSER	27
BEHIND THE MIRROR MODULES	31
AUTOMATIC INFRA-RED AND PIEZO SHOWER CONTROLS	33
AUTOMATIC INFRA-RED, TOUCH, PIEZO AND MECHANICAL TOILET FLUSHING UNITS	37
STAINLESS STEEL WASHBASINS	41
STAINLESS STEEL DRINKING FOUNTAINS	49
STAINLESS STEEL WASHING TROUGHS	51
STAINLESS STEEL SINKS	55
STAINLESS STEEL WORKING AND WASHING TABLES	56
SANITARY CABINS AND PARTITIONS	57
STAINLESS STEEL URINALS	59
STAINLESS STEEL URINAL TROUGHS	60
STAINLESS STEEL DIVIDING CURTAIN	61
STAINLESS STEEL TOILETS	63
STAINLESS STEEL TOILETS WITH THE TANK	64
STAINLESS STEEL SQUATTING PAN	65
VANDAL-PROOF COMBINATION UNITS	65
STAINLESS STEEL AUTOMATIC INFRA-RED AND PIEZO SHOWER PANELS	67
STAINLESS STEEL SHOWER TRAYS	68
STAINLESS STEEL BATHTUBS	68

KEG LINE	69
EYES AND BODY SAFETY SHOWERS	71
STAINLESS STEEL CLEANER'S SINKS	73
STAINLESS STEEL SWIMMING POOL SLOTTED DRAINS	74
STAINLESS STEEL BATHROOM FLOOR DRAINS	74
COIN, RFID AND TOKEN MACHINES	78
STAINLESS STEEL TOILET PAPER HOLDERS AND SUPPLY BIN FOR SANITARY BAGS	90
STAINLESS STEEL SUPPLY BINS FOR PAPER TOWELS AND WASTE BINS	91
AUTOMATIC STAINLESS STEEL SOAP AND DISINFECTION DISPENSERS	97
STAINLESS STEEL SOAP AND DISINFECTION DISPENSERS	99
PLASTIC ACCESSORIES FOR HEALTH CARE	100
STAINLESS STEEL HOOKS AND TOILET BRUSHES	102
AUTOMATIC HAND DRYERS	103
STAINLESS STEEL BATHROOM ACCESSORIES	105
STAINLESS STEEL MIRRORS	113
STAINLESS STEEL PICTOGRAMS	114
DIAPER CHANGER	114
SEPARATORS	114
GRAB BARS FOR DISABLED AND PERSONS WITH LIMITED MOBILITY	115
VINYL GRAB BARS FOR DISABLED AND PERSONS WITH LIMITED MOBILITY	117
SHOWER SEATS AND SHOWER STOOL	119
POWER SUPPLY UNITS	119
SHOWER HEADS	120
MOUNTING FRAMES	121
ACCESSORIES	122
TECHNICAL DATA	131
INDEX	155

AUTOMATIC INFRA-RED, PIEZO AND RADAR URINAL FLUSHING UNITS



INFRA-RED URINAL FLUSHING UNIT

SLP 02K	01022	24 V DC
SLP 02KZ	01023	with integrated power supply, 230 V AC
SLP 06K	01062	battery operated 6 V



INFRA-RED URINAL FLUSHING UNIT WITH A FRAME

SLP 03K	01032	24 V DC
SLP 03KZ	01033	with integrated power supply, 230 V AC
SLP 03KB	01034	battery operated 6 V



BLACK INFRA-RED URINAL FLUSHING UNIT

SLP 02KV	01018	24 V DC
SLP 02KVZ	01019	with integrated power supply, 230 V AC
SLP 06KV	01066	battery operated 6 V



BLACK INFRA-RED URINAL FLUSHING UNIT WITH A FRAME

SLP 03KV	01113	24 V DC
SLP 03KVZ	01115	with integrated power supply, 230 V AC
SLP 03KVB	01114	battery operated 6 V



INFRA-RED URINAL FLUSHING UNIT

SLP 02N	42022	24 V DC
SLP 02NZ	42023	with integrated power supply, 230 V AC
SLP 02NB	42025	battery operated 6 V



INFRA-RED URINAL FLUSHING UNIT WITH A FRAME

SLP 03N	01035	24 V DC
SLP 03NZ	01036	with integrated power supply, 230 V AC
SLP 03NB	01037	battery operated 6 V



PIEZO URINAL FLUSHING UNIT

SLP 02NP 42024 24 V DC



PIEZO URINAL FLUSHING UNIT

SLP 02PA 21022 with a vandal-proof cover, 24 V DC



INFRA-RED FLUSHING UNIT FOR A GROUP OF URINALS

SLP 05N 42052 24 V DC

SLP 05NZ 42053 with integrated power supply, 230 V AC



TIME-CONTROLLED FLUSHING UNIT

SLP 01Z 01011 230 V AC



RADAR FLUSHING UNIT ON THE MOUNTING RAIL

SLP 07S 11071 24 V DC

SLP 07Z 01071 with integrated power supply, 230 V AC

SLP 07B 11076 battery operated 6 V

- for urinals NOVA PRO FELIX, RENOVA Nr., NOVA PRO ALEX, NOVA PRO, RENOVA Nr. 1 PLAN, SELNOVA



URINAL FELIX WITH A RADAR FLUSHING UNIT (PLUG & PLAY)

SLP 07RS 11075 24 V DC

SLP 07RZ 01075 with integrated power supply, 230 V AC

SLP 07RB 11077 battery operated 6 V





WALL-MOUNTED URINAL INFRA-RED FLUSHING UNIT, CHROME

SLP 09K 01092 battery operated 9 V



URINAL VILA WITH A RADAR FLUSHING UNIT

SLP 12R 01124 24 V DC
SLP 12RZ 01125 with integrated power supply, 230 V AC
SLP 12RB 11127 battery operated 6 V



URINAL DOMINO WITH INFRA-RED FLUSHING UNIT

SLP 17 01170 24 V DC
SLP 17B 11176 battery operated 6 V



URINAL ALEX WITH A RADAR FLUSHING UNIT (PLUG & PLAY)

SLP 18RS 11185 24 V DC
SLP 18RZ 01185 with integrated power supply, 230 V AC
SLP 18RB 11187 battery operated 6 V



URINAL GOLEM WITH A RADAR FLUSHING UNIT (PLUG & PLAY)

SLP 19S 01196 24 V DC
SLP 19Z 01197 with integrated power supply, 230 V AC
SLP 19B 21195 battery operated 6 V



URINAL CAPRINO WITH A RADAR FLUSHING UNIT (PLUG & PLAY)

SLP 23S 01233 24 V DC
SLP 23Z 01234 with integrated power supply, 230 V AC
SLP 23B 01232 battery operated 6 V



URINAL ALESSI WITH COVER WITH A RADAR FLUSHING UNIT

SLP 24R 01244 24 V DC
SLP 24RZ 01245 with integrated power supply, 230 V AC





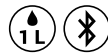
URINAL ALESSI WITH A RADAR FLUSHING UNIT

SLP 25R	01254	24 V DC
SLP 25RZ	01255	with integrated power supply, 230 V AC



URINAL LIVO WITH A RADAR FLUSHING UNIT

SLP 31RS	11315	24 V DC
SLP 31RZ	01315	with integrated power supply, 230 V AC
SLP 31RB	11317	battery operated 6 V



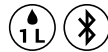
URINAL ARQ WITH COVER WITH A RADAR FLUSHING UNIT

SLP 32R	01324	24 V DC
SLP 32RZ	01325	with integrated power supply, 230 V AC
SLP 32RB	11327	battery operated 6 V



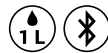
RADAR FLUSHING UNIT ON THE MOUNTING RAIL FOR URINAL ECCO (GOLF)

SLP 36RS	11365	24 V DC
SLP 36RZ	01365	with integrated power supply, 230 V AC
SLP 36RB	11367	battery operated 6 V



URINAL VILA WITH COVER (SYSTEM SOFT-CLOSE) AND WITH A RADAR FLUSHING UNIT

SLP 37R	01374	24 V DC
SLP 37RZ	01375	with integrated power supply, 230 V AC
SLP 37RB	11377	battery operated 6 V



URINAL CAPRINO PLUS RIMLESS WITH A RADAR FLUSHING UNIT (PLUG & PLAY)

SLP 49S	01498	24 V DC
SLP 49Z	01499	with integrated power supply, 230 V AC
SLP 49B	01492	battery operated 6 V





RADAR FLUSHING UNIT ON THE MOUNTING RAIL FOR D-CODE URINAL

SLP 54RS	11545	24 V DC
SLP 54RZ	01545	with integrated power supply, 230 V AC
SLP 54RB	01541	battery operated 6 V



URINAL LEMA RIMLESS WITH A RADAR FLUSHING UNIT

SLP 59RS	11596	24 V DC
SLP 59RZ	01595	with integrated power supply, 230 V AC
SLP 59RB	11597	battery operated 6 V



RADAR FLUSHING UNIT ON THE MOUNTING RAIL FOR URINAL ARCHITECTURA 557400

SLP 68RS	11685	24 V DC
SLP 68RZ	01685	with integrated power supply, 230 V AC
SLP 68RB	11687	battery operated 6 V



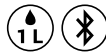
RADAR FLUSHING UNIT ON THE MOUNTING RAIL FOR URINAL ARCHITECTURA 558600, 558700

SLP 69RS	11695	24 V DC
SLP 69RZ	01695	with integrated power supply, 230 V AC
SLP 69RB	11697	battery operated 6 V



RADAR FLUSHING UNIT ON THE MOUNTING RAIL FOR URINAL O.NOVO (OMNIA PRO)

SLP 70RS	11705	24 V DC
SLP 70RZ	11706	with integrated power supply, 230 V AC
SLP 70RB	11707	battery operated 6 V



RADAR FLUSHING UNIT ON THE MOUNTING RAIL FOR URINAL SUBWAY 751300

SLP 71RS	11715	24 V DC
SLP 71RZ	11716	with integrated power supply, 230 V AC
SLP 71RB	11717	battery operated 6 V





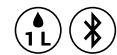
URINAL WCA WITH A RADAR FLUSHING UNIT (PLUG & PLAY)

SLP 82RS	01820	24 V DC
SLP 82RZ	01822	with integrated power supply, 230 V AC
SLP 82RB	01821	battery operated 6 V



URINAL LA FONTANA WITH A RADAR FLUSHING UNIT, BLACK

SLP 89S	01890	24 V DC
SLP 89Z	01891	with integrated power supply, 230 V AC
SLP 89B	01895	battery operated 6 V



DIVIDING CURTAINS BETWEEN URINALS



STAINLESS STEEL DIVIDING CURTAIN BETWEEN URINALS

SLZN 13 95130



DIVIDING CURTAIN BETWEEN URINALS - HPL LAMINATE

SLZN 14 95140



DIVIDING CURTAIN BETWEEN URINALS FOR PRESCHOOLS, GREY COLOUR

SLZN 14MB 95142



DIVIDING CURTAIN BETWEEN URINALS FOR PRESCHOOLS, WHITE COLOUR

SLZN 14ML 95141



DIVIDING CURTAIN BETWEEN URINALS, GREY COLOUR

SLZN 14VB 95144



DIVIDING CURTAIN BETWEEN URINALS, WHITE COLOUR

SLZN 14VL 95143



SLP 12R



SLU 57V



SLU 60V

AUTOMATIC INFRA-RED AND PIEZO WASHBASIN TAPS



AUTOMATIC WASHBASIN TAP

SLU 01N	23018	for cold or premixed water, 24 V DC
SLU 01NB	23019	for cold or premixed water, battery operated 6 V
SLU 01NH	33011	for non-pressure water heaters, 24 V DC
SLU 01NHB	33012	for non-pressure water heaters, battery operated 6 V



AUTOMATIC WASHBASIN TAP

SLU 02N	23028	for cold and hot water, 24 V DC
SLU 02NB	23029	for cold and hot water, battery operated 6 V
SLU 02T	13026	with thermostatic valve, 24 V DC
SLU 02BT	13023	with thermostatic valve, battery operated 6 V



AUTOMATIC WASHBASIN / SINK TAP

SLU 08L	13085	for cold and hot water, 24 V DC
SLU 08LB	13185	for cold and hot water, battery operated 6 V



AUTOMATIC WASHBASIN / SINK ELONGATED TAP

SLU 08LD	13087	for cold and hot water, 24 V DC
SLU 08LDB	13180	for cold and hot water, battery operated 6 V



AUTOMATIC WASHBASIN / SINK MIXER

SLU 08LN	13181	24 V DC
SLU 08LNB	13086	battery operated 6 V





AUTOMATIC WASHBASIN / SINK ELONGATED MIXER

SLU 08LND 13183 24 V DC
SLU 08LNDB 13088 battery operated 6 V



WASHBASIN MIXER

SLU 15 03150 24 V DC
SLU 15B 03155 battery operated 6 V



AUTOMATIC WASHBASIN TAP

SLU 34 03340 for cold or premixed water, 24 V DC
SLU 34B 03345 for cold or premixed water, battery operated 6 V
SLU 35 03350 for cold and hot water, 24 V DC
SLU 35B 03355 for cold and hot water, battery operated 6 V



AUTOMATIC WASHBASIN MIXER

SLU 37 03370 24 V DC
SLU 37B 03375 battery operated 6 V



AUTOMATIC STAINLESS STEEL WASHBASIN TAP

SLU 45 03450 for cold or premixed water, 24 V DC
SLU 45B 03455 for cold or premixed water, battery operated 6 V
SLU 46 03460 for cold and hot water, 24 V DC
SLU 46B 03465 for cold and hot water, battery operated 6 V



AUTOMATIC WASHBASIN TAP

SLU 56 03560 for cold or premixed water, 24 V DC
SLU 56B 03565 for cold or premixed water, battery operated 6 V
SLU 57 03570 for cold and hot water, 24 V DC
SLU 57B 03575 for cold and hot water, battery operated 6 V





BLACK AUTOMATIC WASHBASIN TAP

SLU 56V	03561	for cold or premixed water, 24 V DC
SLU 56VB	03566	for cold or premixed water, battery operated 6 V
SLU 57V	03571	for cold and hot water, 24 V DC
SLU 57VB	03576	for cold and hot water, battery operated 6 V



AUTOMATIC WASHBASIN ELONGATED MIXER

SLU 60	03600	24 V DC
SLU 60B	03605	battery operated 6 V

- is destined for countertop washbasins
- max. height of washbasin is 150 mm



BLACK AUTOMATIC WASHBASIN ELONGATED MIXER

SLU 60V	03602	24 V DC
SLU 60VB	03607	battery operated 6 V

- is destined for countertop washbasins
- max. height of washbasin is 150 mm



AUTOMATIC WASHBASIN MIXER

SLU 63	03630	24 V DC
SLU 63B	03635	battery operated 6 V



BLACK AUTOMATIC WASHBASIN MIXER

SLU 63V	03634	24 V DC
SLU 63VB	03637	battery operated 6 V



AUTOMATIC WASHBASIN MIXER

SLU 76N	03760	24 V DC
SLU 76NB	03765	battery operated 6 V





SLU 76N



AUTOMATIC STAINLESS STEEL WASHBASIN TAP

SLU 91N	23918	for cold or premixed water, 24 V DC
SLU 91NB	23919	for cold or premixed water, battery operated 6 V
SLU 93N	23938	for cold and hot water, 24 V DC
SLU 93NB	23939	for cold and hot water, battery operated 6 V



AUTOMATIC STAINLESS STEEL WASHBASIN MIXER

SLU 92N	23928	24 V DC
SLU 92NB	23929	battery operated 6 V



AUTOMATIC STAINLESS STEEL WASHBASIN TAP, LONGER SPOUT

SLU 91ND	23918	for cold or premixed water, 24 V DC
SLU 91NDB	23919	for cold or premixed water, battery operated 6 V
SLU 93ND	53936	for cold and hot water, 24 V DC
SLU 93NDB	53937	for cold and hot water, battery operated 6 V





AUTOMATIC STAINLESS STEEL WASHBASIN MIXER, LONGER SPOUT

SLU 92ND	53926	24 V DC
SLU 92NDB	53927	battery operated 6 V



PIEZO STAINLESS STEEL WASHBASIN TAP

SLU 91NP	66911	for cold or premixed water, 24 V DC
SLU 91NPB	66912	for cold or premixed water, battery operated 6 V
SLU 93NP	66921	for cold and hot water, 24 V DC
SLU 93NPB	66922	for cold and hot water, battery operated 6 V



PIEZO STAINLESS STEEL WASHBASIN MIXER

SLU 92NP	43929	24 V DC
SLU 92NPB	64921	battery operated 6 V



PIEZO STAINLESS STEEL WASHBASIN TAP, LONGER SPOUT

SLU 91NPD	64912	for cold or premixed water, 24 V DC
SLU 91NPDB	64913	for cold or premixed water, battery operated 6 V
SLU 93NPD	64932	for cold and hot water, 24 V DC
SLU 93NPDB	64933	for cold and hot water, battery operated 6 V



PIEZO STAINLESS STEEL WASHBASIN MIXER, LONGER SPOUT

SLU 92NPD	66923	24 V DC
SLU 92NPDB	66924	battery operated 6 V



ECONOMICAL AERATORS



AERATOR FOR SLU 01N/02N, SLU 04H/HT, SLU 15, SLU 25, SLU 56, SLU 56V, SLU 57, SLU 57V, SLU 76N

SLA 55A	06550	3,8 l/min., 1,0 gpm
SLA 55B	06551	1,9 l/min., 0,5 gpm



AERATOR FOR SLU 09PTB, SLU 39, SLU 42K, SLU 43, SLU 43KB, SLU 43V, SLU 44, SLU 45/46, SLU 91N-93N AND SLUN 04, SLUN 07, SLUN 50-53, SLUN 71/72, SLUN 80-83, SLZN 84D, SLZN 84F

SLA 56A	06560	3,8 l/min., 1,0 gpm
SLA 56B	06561	1,9 l/min., 0,5 gpm



AERATOR FOR SLU 37, SLU 41, SLU 60, SLU 60V, SLU 63, SLU 63V

SLA 57A	06570	3,8 l/min., 1,0 gpm
SLA 57B	06571	1,9 l/min., 0,5 gpm



SLU 92ND | SLUN 77A

AUTOMATIC INFRA-RED WASHBASIN TAPS - COLOR ELITE LINE



AUTOMATIC WASHBASIN TAP - ROSE GOLD

SLU 57F 13570 24 V DC
SLU 57FB 13576 battery operated 6 V



AUTOMATIC WASHBASIN TAP - ROSE GOLD MATT

SLU 57FX 13571 24 V DC
SLU 57FXB 13577 battery operated 6 V



AUTOMATIC WASHBASIN TAP - GOLD

SLU 57G 13572 24 V DC
SLU 57GB 13578 battery operated 6 V



AUTOMATIC WASHBASIN TAP - GOLD MATT

SLU 57GX 13573 24 V DC
SLU 57GXB 13579 battery operated 6 V



AUTOMATIC WASHBASIN TAP - METAL GREY

SLU 57H 13574 24 V DC
SLU 57HB 23570 battery operated 6 V



AUTOMATIC WASHBASIN TAP - METAL GREY MATT

SLU 57HX 13575 24 V DC
SLU 57HXB 23571 battery operated 6 V





AUTOMATIC WASHBASIN MIXER - ROSE GOLD

SLU 76NF 03769 24 V DC
SLU 76NFB 23766 battery operated 6 V



AUTOMATIC WASHBASIN MIXER - ROSE GOLD MATT

SLU 76NFX 33765 24 V DC
SLU 76NFXB 23767 battery operated 6 V



AUTOMATIC WASHBASIN MIXER - GOLD

SLU 76NG 23762 24 V DC
SLU 76NGB 23768 battery operated 6 V



AUTOMATIC WASHBASIN MIXER - GOLD MATT

SLU 76NGX 23763 24 V DC
SLU 76NGXB 23769 battery operated 6 V



AUTOMATIC WASHBASIN MIXER - METAL GREY

SLU 76NH 23764 24 V DC
SLU 76NHB 33760 battery operated 6 V



AUTOMATIC WASHBASIN MIXER - METAL GREY MATT

SLU 76NHX 23765 24 V DC
SLU 76NHXB 33761 battery operated 6 V





HYBRID SINK FAUCET



HYBRID SINK FAUCET

SLU 68 03680 24 V DC
SLU 68B 03685 battery operated 6 V

- swivel spout, pull-out shower
- water activation by touchless sensor
- water activation by lever



SLU 68

AUTOMATIC INFRA-RED AND PIEZO WALL-MOUNTED WASHBASIN TAPS



AUTOMATIC WALL-MOUNTED WASHBASIN TAP FOR COLD OR PREMIXED WATER

SLU 04H17	03041	spout of 170 mm, 24 V DC
SLU 04H17B	03046	spout of 170 mm, battery operated 6 V
SLU 04H25	03042	spout of 250 mm, 24 V DC
SLU 04H25B	03047	spout of 250 mm, battery operated 6 V



PIEZO WALL-MOUNTED WASHBASIN TAP FOR COLD OR PREMIXED WATER

SLU 04P17	53041	spout of 170 mm, 24 V DC
SLU 04P17B	53043	spout of 170 mm, battery operated 6 V
SLU 04P25	53042	spout of 250 mm, 24 V DC
SLU 04P25B	53044	spout of 250 mm, battery operated 6 V



AUTOMATIC WALL-MOUNTED THERMOSTATIC WASHBASIN MIXER

SLU 04HT17	43046	spout of 170 mm, 24 V DC
SLU 04HT17B	65043	spout of 170 mm, battery operated 6 V
SLU 04HT25	43047	spout of 250 mm, 24 V DC
SLU 04HT25B	65044	spout of 250 mm, battery operated 6 V



PIEZO WALL-MOUNTED WASHBASIN TAP WITH THERMOSTATIC VALVE AND WITH SPECIAL „ANTI-SUICIDAL“ SPOUT

SLU 09PTB	13091	6 V DC
-----------	-------	--------



AUTOMATIC WALL-MOUNTED THERMOSTATIC WASHBASIN MIXER

SLU 25	03250	24 V DC
SLU 25B	03255	battery operated 9 V



AUTOMATIC WALL-MOUNTED THERMOSTATIC WASHBASIN MIXER

SLU 25S	33258	24 V DC
SLU 25SB	33259	battery operated 9 V



SET OF STAINLESS STEEL PIEZO WALL-MOUNTED WASHBASIN TAP FOR SUBSEQUENT MOUNTING FOR COLD OR PREMIXED WATER

SLU 39PX	03394	24 V DC, brushed
SLU 39PBX	03395	battery operated 6 V, brushed

- is destined for installation into the wall (through the service room), necessary to use installation set SLA 52B
 - is destined for installation into the sheets with a max. thickness of 5 mm
 - mounting from the other side of the wall





SET OF STAINLESS STEEL AUTOMATIC WALL-MOUNTED WASHBASIN TAP FOR SUBSEQUENT MOUNTING FOR COLD OR PREMIXED WATER

SLU 39	03390	24 V DC, polished
SLU 39B	03392	battery operated 6 V, polished
SLU 39X	03391	24 V DC, brushed
SLU 39BX	03393	battery operated 6 V, brushed

- is destined for installation into the wall (through the service room), necessary to use installation set SLA 52A
 - is destined for installation into the sheets with a max. thickness of 5 mm



SET OF PARTS FOR MOUNTING INTO THE WALL (THROUGH SERVICE ROOM)

SLA 52A	06520	for SLU 39, SLU 39X
SLA 52B	06521	for SLU 39PX



AUTOMATIC WALL-MOUNTED STAINLESS STEEL WASHBASIN TAP FOR COLD OR PREMIXED WATER

SLU 43	03430	24 V DC
SLU 43B	03435	battery operated 6 V



BLACK AUTOMATIC WALL-MOUNTED STAINLESS STEEL WASHBASIN TAP FOR COLD OR PREMIXED WATER

SLU 43V	03433	24 V DC
SLU 43VB	03434	battery operated 6 V



AUTOMATIC WALL-MOUNTED WASHBASIN MIXER, CHROME-PLATED

SLU 42K	03420	24 V DC
SLU 42KB	03425	battery operated 6 V



AUTOMATIC WALL-MOUNTED WASHBASIN TAP FOR COLD OR PREMIXED WATER, CHROME-PLATED

SLU 43KB	03431	battery operated 6 V
----------	-------	----------------------



AUTOMATIC WALL-MOUNTED WASHBASIN TAP FOR COLD OR PREMIXED WATER WITH A VANDAL-PROOF COVER AND WITH „ANTI-SUICIDAL“ SPOUT

SLU 44P	43449	24 V DC
SLU 44PB	64441	battery operated 6 V



AUTOMATIC WALL-MOUNTED TAP FOR HOT AND COLD WATER WITH A VANDAL-PROOF COVER AND WITH „ANTI-SUICIDAL“ SPOUT

SLU 44PP	64442	24 V DC
----------	-------	---------

- mutual blocking of the piezo buttons



AUTOMATIC WASHBASIN TAPS WITH INTEGRATED SOAP DISPENSER AND AUTOMATIC SOAP DISPENSER



AUTOMATIC STAINLESS STEEL WASHBASIN TAP WITH INTEGRATED AUTOMATIC SOAP DISPENSER, SOAP CANISTER 1 L

SLU 45MD 03466 for cold or premixed water, 230 V AC
 SLU 46MD 03467 for hot and cold water, 230 V AC



AUTOMATIC STAINLESS STEEL WASHBASIN TAP FOR COLD OR PREMIXED WATER WITH CENTRAL SOAP CANISTER (6 L)

SLU 45M2 03453 2 spouts, for cold or premixed water, 230 V AC
 SLU 45M3 03454 3 spouts, for cold or premixed water, 230 V AC
 SLU 45M4 03456 4 spouts, for cold or premixed water, 230 V AC
 SLU 45M5 03457 5 spouts, for cold or premixed water, 230 V AC
 SLU 45M6 03458 6 spouts, for cold or premixed water, 230 V AC



AUTOMATIC STAINLESS STEEL WALL-MOUNTED SOAP DISPENSER, SOAP CANISTER 1 L

SLZN 83E 85831 230 V AC



BLACK AUTOMATIC STAINLESS STEEL WALL-MOUNTED SOAP DISPENSER, SOAP CANISTER 1 L

SLZN 83EV 85837 230 V AC, black



AUTOMATIC STAINLESS STEEL WALL-MOUNTED SOAP DISPENSER, SOAP CANISTER 1 L, MOUNTING FRAME SLR 24 INCLUDED

SLZN 83ER 85838 230 V AC
 SLZN 83EVR 85839 230 V AC, black



AUTOMATIC STAINLESS STEEL WALL-MOUNTED SOAP DISPENSER WITH CENTRAL SOAP CANISTER

SLZN 83E2 85832 2 spouts, soap canister 6 l, 230 V AC
 SLZN 83E3 85833 3 spouts, soap canister 6 l, 230 V AC
 SLZN 83E4 85834 4 spouts, soap canister 6 l, 230 V AC
 SLZN 83E5 85835 5 spouts, soap canister 6 l, 230 V AC
 SLZN 83E6 85836 6 spouts, soap canister 6 l, 230 V AC



SLU 43V | SLZN 83EV

SLU 91ND | SLZN 91E





**AUTOMATIC STAINLESS STEEL WALL-MOUNTED SOAP DISPENSER
WITH CENTRAL SOAP CANISTER, MOUNTING FRAME SLR 24 INCLUDED, SOAP CANISTER 6 L**

SLZN 83ER2	85812	2 spouts, 230 V AC
SLZN 83ER3	85813	3 spouts, 230 V AC
SLZN 83ER4	85814	4 spouts, 230 V AC
SLZN 83ER5	85815	5 spouts, 230 V AC
SLZN 83ER6	85816	6 spouts, 230 V AC



AUTOMATIC STAINLESS STEEL COUNTERTOP SOAP DISPENSER, SOAP CANISTER 1 L

SLZN 91E	85911	230 V AC
----------	-------	----------



**AUTOMATIC STAINLESS STEEL COUNTERTOP SOAP DISPENSER WITH CENTRAL
SOAPCANISTER**

SLZN 91E2	85912	2 spouts, soap canister 6 l, 230 V AC
SLZN 91E3	85913	3 spouts, soap canister 6 l, 230 V AC
SLZN 91E4	85914	4 spouts, soap canister 6 l, 230 V AC
SLZN 91E5	85915	5 spouts, soap canister 6 l, 230 V AC
SLZN 91E6	85916	6 spouts, soap canister 6 l, 230 V AC



BEHIND THE MIRROR MODULES



BEHIND THE MIRROR SOAP DISPENSER

SLZN 84A 85840 soap canister 5 l, 24 V DC

- for canister 5 l (included)



BEHIND THE MIRROR AUTOMATIC WASHBASIN TAP FOR COLD OR PREMIXED WATER

SLZN 84D 85841 24 V DC



BEHIND THE MIRROR AUTOMATIC WASHBASIN TAP FOR COLD OR PREMIXED WATER WITH SOAP DISPENSER

SLZN 84F 85842 soap canister 5 l, 24 V DC

- for canister 5 l (included)



BEHIND THE MIRROR HAND DRYER

SLZN 84G 85843 230 V AC



BEHIND THE MIRROR PAPER TOWEL DISPENSER

SLZN 84H 85844



AUTOMATIC LIQUID AND GEL DISINFECTION DISPENSER

SLZN 84J 85848 soap canister 5 l, 24 V DC

- for canister 5 l (included)



SLZN 84A | SLZN 84H | SLU 43KB

AUTOMATIC INFRA-RED AND PIEZO SHOWER CONTROLS



AUTOMATIC SHOWER CONTROL FOR COLD OR PREMIXED WATER

SLS 01AK 02012 24 V DC
 SLS 01AKB 12017 battery operated 6 V



BLACK AUTOMATIC SHOWER CONTROL FOR COLD OR PREMIXED WATER

SLS 01AKV 02002 24 V DC
 SLS 01AKVB 12007 battery operated 6 V



AUTOMATIC SHOWER CONTROL FOR COLD OR PREMIXED WATER

SLS 01N 22012 24 V DC
 SLS 01NB 22013 battery operated 6 V



PIEZO SHOWER CONTROL FOR COLD OR PREMIXED WATER

SLS 01P 12012 24 V DC
 SLS 01PB 12013 battery operated 6 V



PIEZO SHOWER CONTROL FOR COLD OR PREMIXED WATER

SLS 01NP 22016 24 V DC
 SLS 01NPB 22017 battery operated 6 V



PIEZO SHOWER CONTROL FOR COLD OR PREMIXED WATER

SLS 01PA 12016 with vandal-proof cover, 24 V DC
 SLS 01PBA 12018 with vandal-proof cover, 6 V



AUTOMATIC SHOWER CONTROL WITH MIXER

SLS 02 02020 24 V DC
 SLS 02B 02026 battery operated 6 V







AUTOMATIC SHOWER CONTROL WITH THERMOSTATIC MIXER

SLS 02T 02023 24 V DC
SLS 02TB 02027 battery operated 6 V



PIEZO SHOWER CONTROL WITH MIXER

SLS 02P 12022 24 V DC
SLS 02PB 12023 battery operated 6 V



PIEZO SHOWER CONTROL WITH THERMOSTATIC MIXER

SLS 02PT 12024 24 V DC
SLS 02PTB 12025 battery operated 6 V



AUTOMATIC WALL-MOUNTED SHOWER CONTROL WITH THERMOSTATIC MIXER, UPPER OUTLET

SLS 03 02030 24 V DC
SLS 03B 02036 battery operated 6 V



AUTOMATIC WALL-MOUNTED SHOWER CONTROL WITH THERMOSTATIC MIXER, BOTTOM OUTLET

SLS 03S 02038 24 V DC
SLS 03SB 22031 battery operated 6 V





SLW 02PA | SLWN 04 | SLZN 31C | SLZD 31N

AUTOMATIC INFRA-RED, TOUCH, PIEZO AND MECHANICAL TOILET FLUSHING UNITS



AUTOMATIC TOILET FLUSHING UNIT FOR PRESSURED WATER

SLW 01NK	04015	24 V DC
SLW 01NKB	04017	battery operated 6 V



AUTOMATIC TOILET FLUSHING UNIT FOR PRESSURED WATER WITH A FRAME

SLW 10NK	04101	24 V DC
SLW 10NKB	04102	battery operated 6 V



PIEZO TOILET FLUSHING UNIT FOR PRESSURED WATER

SLW 01P	14015	24 V DC
SLW 01PB	14010	battery operated 6 V



PIEZO TOILET FLUSHING UNIT FOR PRESSURED WATER WITH A FRAME

SLW 10P	04103	24 V DC
SLW 10PB	04104	battery operated 6 V



PIEZO TOILET FLUSHING UNIT FOR PRESSURED WATER

SLW 01PA	14016	with vandal-proof cover, 24 V DC
----------	-------	----------------------------------



PIEZO TOILET FLUSHING UNIT FOR PRESSURED WATER WITH A FRAME

SLW 10PA	04105	with vandal-proof cover, 24 V DC
----------	-------	----------------------------------





PIEZO TOILET FLUSHING UNIT FOR PRESSURED WATER WITH VANDAL-PROOF COVER, WITH DISTANT CONTROL FOR DISABLED PEOPLE

SLW 03PA 14036 24 V DC



PIEZO TOILET FLUSHING UNIT WITH VANDAL-PROOF COVER, INCLUDING THE FRAME SLR 21

SLW 02PA 14026 24 V DC



PIEZO TOILET FLUSHING UNIT WITH VANDAL-PROOF COVER, WITH DISTANT CONTROL FOR DISABLED PEOPLE, INCLUDING THE FRAME SLR 21

SLW 04PA 14046 24 V DC



ELECTRONIC TOUCH TOILET FLUSHING UNIT FOR INSTALLATION SYSTEM SLR 21, GLASS COVER COLOUR REF 1502 WHITE

SLW 30A 04300 blue backlighting, 24 V DC



ELECTRONIC TOUCH TOILET FLUSHING UNIT FOR INSTALLATION SYSTEM SLR 21, GLASS COVER COLOUR REF 9005 BLACK

SLW 30E 04301 white backlighting, 24 V DC
 SLW 30F 04302 blue backlighting, 24 V DC



AUTOMATIC TOILET FLUSHING UNIT FOR INSTALLATION SYSTEM SLR 21, WHITE PLASTIC

SLW 02A 04026 24 V DC



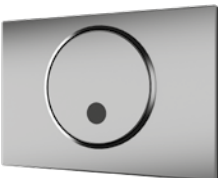
AUTOMATIC TOILET FLUSHING UNIT FOR INSTALLATION SYSTEM SLR 21, BLACK PLASTIC

SLW 02F 04027 24 V DC



AUTOMATIC TOILET FLUSHING UNIT FOR INSTALLATION SYSTEM SLR 21, STAINLESS STEEL

SLW 02N 04022 24 V DC



**AUTOMATIC TOILET FLUSHING UNITS FOR GEBERIT INSTALLATION SYSTEMS,
PUSH-BUTTON SIGMA 10**

SLW 02GT 14022 24 V DC



SLW 50

MECHANICAL TOILET FLUSHING UNIT FOR INSTALLATION SYSTEM SLR 21

SLW 50	04500	white plastic
SLW 51	04510	polished chrome
SLW 52	04520	brushed chrome
SLW 53	04530	black plastic
SLW 54	04542	stainless steel



SLW 51



SLW 52



SLW 53



SLW 54

SLW 02F | SLZN 78X | SLZD 24N | SLZD 21N



STAINLESS STEEL WASHBASINS



STAINLESS STEEL WASHBASIN WITH TAP HOLE

SLUN 01 93010

- siphon, overflow and mounting set included, brushed finish



STAINLESS STEEL WASHBASIN WITH TAP HOLE

SLUN 02 93020

- back-splash, siphon, overflow and mounting set included, brushed finish



STAINLESS STEEL CORNER WASHBASIN

SLUN 11 93110

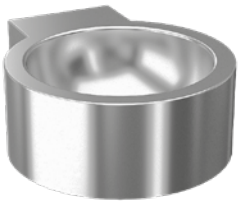
- siphon and mounting set included, brushed finish
- tap hole could be made to order



STAINLESS STEEL WASHBASIN

SLUN 13 93130

- siphon and mounting set included, brushed finish
- tap hole could be made to order



STAINLESS STEEL WASHBASIN, Ø 380 mm

SLUN 17 93170

- siphon and mounting set included, brushed finish
- tap hole could be made to order



STAINLESS STEEL MULTIPLE WASHBASIN

SLUN 19 93190 double washbasin, 1200 x 500 mm

SLUN 20 93200 triple washbasin, 1800 x 500 mm

SLUN 60 93600 four washbasins, 2400 x 500 mm

SLUN 61 93610 five washbasins, 3000 x 500 mm

- siphon, overflow and mounting set included, brushed finish
- different lengths, tap holes and holes for recessed liquid soap dispensers could be made to order
- different lengths could be made to order



STAINLESS STEEL MULTIPLE WASHBASIN WITH APRON

SLUN 19P	93197	double washbasin, 1200 x 500 mm
SLUN 20P	93207	triple washbasin, 1800 x 500 mm
SLUN 60P	93607	four washbasins, 2400 x 500 mm
SLUN 61P	93617	five washbasins, 3000 x 500 mm

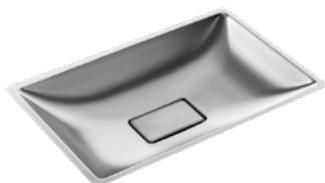
- siphon, overflow and mounting set included, brushed finish
- different lengths, tap holes and holes for recessed liquid soap dispensers could be made to order
- different lengths could be made to order



VANDAL-PROOF STAINLESS STEEL WASHBASIN, Ø 320 mm

SLUN 22M **83226**

- stainless steel waste tube and M10 screws included, brushed finish
- without a tap hole
- rear assembling by M10 screws from the service room



STAINLESS STEEL RECESSED WASHBASIN

SLUN 24X **93241**

- siphon, mounting set included, brushed finish



STAINLESS STEEL WASHBASIN WITH TAP HOLE

SLUN 26 **93260**

- rounded corners and edges
- siphon, overflow set with drain and plug and mounting set included, brushed finish



STAINLESS STEEL WASHBASIN WITHOUT TAP HOLE

SLUN 26A **73262**

- rounded corners and edges
- siphon, overflow set with drain and plug and mounting set included, brushed finish



STAINLESS STEEL RECESSED WASHBASIN, Ø 385 mm

SLUN 34 93340

- siphon and overflow set included
 - assembling by glue, brushed finish
-



STAINLESS STEEL WALL HUNG WASHBASIN WITH TAP HOLE

SLUN 36A 73362

- siphon, overflow, overflow set and mounting set included, brushed finish
-



STAINLESS STEEL RECESSED WASHBASIN, Ø 320 mm

SLUN 44 93440

SLUN 44X 93448

- siphon, overflow and mounting set included, polished finish (SLUN 44), brushed finish (SLUN 44X)
-



STAINLESS STEEL RECESSED WASHBASIN, Ø 360 mm

SLUN 45 93450

SLUN 45X 93458

- siphon, overflow and mounting set included, polished finish (SLUN 45), brushed finish (SLUN 45X)
-



STAINLESS STEEL WASHBASIN FOR DISABLED PEOPLE

SLUN 47 93470

SLUN 47X 93478

- special siphon and mounting set included, polished finish (SLUN 47), brushed finish (SLUN 47X)
- tap hole could be made to order



STAINLESS STEEL FLOOR STANDING WASHBASIN WITH APRON, FIXED TO THE WALL

SLUN 57 93570

- siphon and mounting set included, brushed finish
- tap hole could be made to order



VANDAL-PROOF STAINLESS STEEL WASHBASIN, Ø 320 mm

SLUN 58 93580

- siphon and mounting set included, brushed finish
- assembling through the service hatch with special screws
- tap hole could be made to order



VANDAL-PROOF STAINLESS STEEL WASHBASIN, Ø 360 mm

SLUN 59 93590

- siphon and mounting set included, brushed finish
- assembling through the service hatch with special screws
- tap hole could be made to order



STAINLESS STEEL RECESSED WASHBASIN

SLUN 63 93630

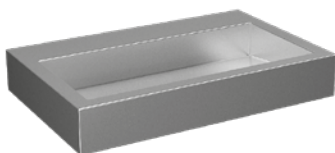
- siphon, overflow and mounting set included, polished finish



STAINLESS STEEL WASHBASIN FOR DISABLED PEOPLE

SLUN 66 93660

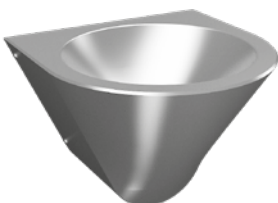
- siphon, overflow and mounting set included, brushed finish
- tap hole could be made to order



DESIGN STAINLESS STEEL WALL HUNG WASHBASIN

SLUN 68 93680

- siphon and mounting set included, brushed finish
- this washbasin could be installed only with wall-mounted tap



VANDAL-PROOF STAINLESS STEEL WASHBASIN, Ø 320 mm

SLUN 69 73690

- siphon and mounting set included, brushed finish
- tap hole could be made to order





STAINLESS STEEL WALL HUNG WASHBASIN

SLUN 73 73730 matt
 SLUN 73V 73731 black matt

- siphon, overflow and mounting set included



STAINLESS STEEL COUNTER TOP WASHBASIN

SLUN 73A 73732 matt
 SLUN 73AV 73733 black matt

- siphon, overflow and mounting set included



VANDAL-PROOF STAINLESS STEEL PIEZO MULTIFUNCTIONAL WASHBASIN

SLUN 70H 73701 230 V AC

- automatic soap dispenser, automatic water spout and automatic hand dryer in one
 - siphon and M10 screws included, brushed finish
 - rear assembling by M10 screws from the service room

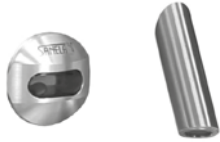


VANDAL-PROOF STAINLESS STEEL PIEZO MULTIFUNCTIONAL WASHBASIN

SLUN 70P 73703 230 V AC

- automatic soap dispenser, automatic water spout and automatic hand dryer in one
 - siphon included, brushed finish
 - assembling through the service hatch





Detail of electronics with spout
Anti-suicidal

VANDAL-PROOF STAINLESS STEEL AUTOMATIC WALL-MOUNTED WASHBASIN

SLUN 71E	93711	for cold or premixed water, 24 V DC
SLUN 71EB	93712	for cold or premixed water, battery operated 6 V
SLUN 72E	93721	for cold and hot water, 24 V DC
SLUN 72EB	93722	for cold and hot water, battery operated 6 V
SLUN 72ET	93723	with thermostatic valve, 24 V DC
SLUN 72ETB	93724	with thermostatic valve, battery operated 6 V

- spout "Anti-suicidal", siphon and mounting set included, brushed finish
- assembling through the service hatch



Detail of electronics with spout
Anti-suicidal

VANDAL-PROOF STAINLESS STEEL PIEZO WALL-MOUNTED WASHBASIN

SLUN 71P	93717	for cold or premixed water, 24 V DC
SLUN 71PB	73716	for cold or premixed water, battery operated 6 V
SLUN 72P	93727	for cold and hot water, 24 V DC
SLUN 72PB	73726	for cold and hot water, battery operated 6 V
SLUN 72PT	73727	with thermostatic valve, 24 V DC
SLUN 72PTB	73728	with thermostatic valve, battery operated 6 V

- spout "Anti-suicidal", siphon and mounting set included, brushed finish
- assembling through the service hatch







SLU 92N | SLUN 77A



SLPN 10E



SLZD 01



STAINLESS STEEL COUNTERTOP KEG WASHBASIN

SLUN 77 93774

- siphon and mounting set included, brushed finish
- assembling by screws



STAINLESS STEEL WALL HUNG KEG WASHBASIN WITH A TAP HOLE

SLUN 77A 93775

- siphon, mounting set
- brushed

STAINLESS STEEL DRINKING FOUNTAINS



STAINLESS STEEL WALL HUNG DRINKING FOUNTAIN

SLUN 14 93140

- siphon, mounting set included, polished finish



STAINLESS STEEL WALL HUNG AUTOMATIC DRINKING FOUNTAIN

SLUN 14E 93141 24 V DC

SLUN 14EB 93142 battery operated 6 V

- siphon, mounting set included, polished finish



STAINLESS STEEL FLOOR MOUNTED DRINKING FOUNTAIN

SLUN 23 93230 height 800 mm

SLUN 23M 83236 for children, height 650 mm

- siphon and mounting set included
- inner bowl - high polished finish, sheeting - brushed finish



STAINLESS STEEL FLOOR MOUNTED AUTOMATIC DRINKING FOUNTAIN

SLUN 23E 93231 24 V DC

SLUN 23EB 93232 battery operated 6 V

- siphon and mounting set included
- inner bowl - high polished finish, sheeting - brushed finish





STAINLESS STEEL FLOOR STANDING, WALL MOUNTED DRINKING FOUNTAIN

- SLUN 43 93430** with self closing drinking spout
- SLUN 43C 83438** with cooler and self closing drinking spout

- siphon and mounting set included
 - inner bowl - high polished finish, sheeting - brushed finish



STAINLESS STEEL FLOOR STANDING, WALL MOUNTED DRINKING FOUNTAIN

- SLUN 43S 83435** with bottle filler and self closing drinking spout
- SLUN 43CS 83439** with bottle filler, cooler and self closing drinking spout

- siphon and mounting set included
 - inner bowl - high polished finish, sheeting - brushed finish



STAINLESS STEEL FLOOR STANDING, WALL MOUNTED AUTOMATIC DRINKING FOUNTAIN

- SLUN 43E 83437** 24 V DC
- SLUN 43EB 83436** battery operated 6 V

- siphon and mounting set included
 - inner bowl - high polished finish, sheeting - brushed finish



STAINLESS STEEL WALL HUNG DRINKING FOUNTAIN

- SLUN 62 93620**

- siphon and mounting set included, brushed finish



STAINLESS STEEL WALL HUNG AUTOMATIC DRINKING FOUNTAIN

- SLUN 62E 93621** 24 V DC
- SLUN 62EB 93622** battery operated 6 V
- SLUN 62ES 83626** with bottle filler, 24 V DC
- SLUN 62ESB 83627** battery operated 6 V

- siphon and mounting set included, brushed finish



STAINLESS STEEL WALL HUNG DRINKING FOUNTAIN WITH BOTTLE FILLER

- SLUN 62S 83625**

- siphon and mounting set included, brushed finish

STAINLESS STEEL WASHING TROUGHS

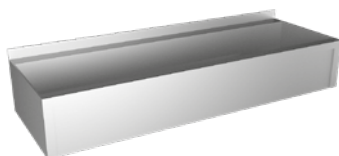
STAINLESS STEEL TROUGH WITHOUT APRON



SLUN 10	93100	AISI - 304, length 1250 mm
SLUN 10L	73103	AISI - 316L, length 1250 mm
SLUN 10C	93101	AISI - 304, length 1900 mm
SLUN 10D	93102	AISI - 304, length 2500 mm
SLUN 10F	93103	AISI - 304, length 3000 mm

- siphon and mounting set included, brushed finish
- different lengths and tap holes could be made to order
- siphon hole is standardly on the right side (could be changed to order)

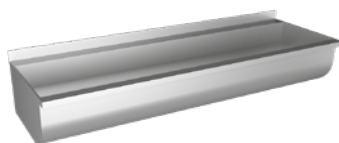
STAINLESS STEEL TROUGH WITH APRON



SLUN 10P	93107	AISI - 304, length 1250 mm
SLUN 10PL	73104	AISI - 316L, length 1250 mm

- siphon and mounting set included, brushed finish
- different lengths and tap holes could be made to order
- siphon hole is standardly on the right side (could be changed to order)

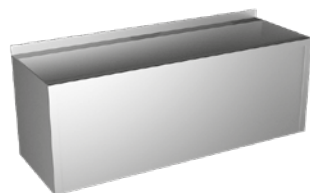
STAINLESS STEEL ROUNDED TROUGH WITHOUT APRON



SLUN 10K	93109	AISI - 304, length 1250 mm
SLUN 10KL	73105	AISI - 316L, length 1250 mm

- siphon and mounting set included, brushed finish
- different lengths (max. 1500 mm) and tap holes could be made to order
- siphon hole is standardly on the right side (could be changed to order)

VANDAL-PROOF STAINLESS STEEL TROUGH WITH APRON

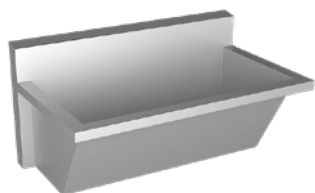


SLUN 10PA	73109	AISI - 304, length 1250 mm
------------------	--------------	----------------------------

- siphon and mounting set included, brushed finish
- assembling through two service hatches
- different lengths and tap holes could be made to order
- siphon hole is standardly on the right side (could be changed to order)
- could be made to order from stainless steel AISI - 316L



STAINLESS STEEL TROUGH FOR HOSPITALS



SLUN 54	93540	AISI - 304, length 750 mm
SLUN 54L	93541	AISI - 316L, length 750 mm
SLUN 55	93550	AISI - 304, length 1500 mm
SLUN 55L	93551	AISI - 316L, length 1500 mm
SLUN 56	93560	AISI - 304, length 2250 mm
SLUN 56L	93561	AISI - 316L, length 2250 mm

- siphon and mounting set included, brushed finish
- different lengths could be made to order
- siphon hole is standardly on the right side (could be changed to order)





SUPPORTIVE STAINLESS STEEL BRACKET FOR SLUN 10

SLZN 81 85810 for SLUN 10, AISI - 304
SLZN 81L 85811 for SLUN 10L, AISI - 316L

- supportive stainless steel bracket for longer or atypical troughs SLUN 10
- ensures the safety and strength of the trough



VANDAL-PROOF STAINLESS STEEL TROUGH

SLUN 50EA 93502 for cold and hot water, two integrated infra-red electronics, length 1250 mm, 24 V DC

- vandal-proof stainless steel spouts and sensor heads
- siphon included, brushed finish
- assembling through two service hatches
- different lengths could be made to order
- siphon hole is standardly on the right side (could be changed to order)
- could be made to order from stainless steel AISI - 316L



Detail of electronics with stainless steel spout



STAINLESS STEEL TROUGH

SLUN 50E 93501 for cold and hot water, two integrated infra-red electronics, length 1250 mm, 24 V DC
SLUN 51E 93511 for cold and hot water, three integrated infra-red electronics, length 1900 mm, 24 V DC
SLUN 52E 93521 for cold and hot water, four integrated infra-red electronics, length 2500 mm, 24 V DC
SLUN 53E 93531 for cold and hot water, five integrated infra-red electronics, length 3000 mm, 24 V DC
SLUN 50ET 93503 with thermostatic valve, two integrated infra-red electronics, length 1250 mm, 24 V DC
SLUN 51ET 93513 with thermostatic valve, three integrated infra-red electronics, length 1900 mm, 24 V DC
SLUN 52ET 93523 with thermostatic valve, four integrated infra-red electronics, length 2500 mm, 24 V DC
SLUN 53ET 93533 with thermostatic valve, five integrated infra-red electronics, length 3000 mm, 24 V DC

- vandal-proof stainless steel spouts and sensor heads
- siphon included, brushed finish
- different lengths could be made to order
- siphon hole is standardly on the right side (could be changed to order)
- could be made to order from stainless steel AISI - 316L



Detail of electronics with stainless steel spout





Detail of electronics with stainless steel spout

STAINLESS STEEL TROUGH

SLUN 50P	93506	for cold and hot water, two integrated piezo electronics, length 1250 mm, 24 V DC
SLUN 51P	93515	for cold and hot water, three integrated piezo electronics, length 1900 mm, 24 V DC
SLUN 52P	93524	for cold and hot water, four integrated piezo electronics, length 2500 mm, 24 V DC
SLUN 53P	93534	for cold and hot water, five integrated piezo electronics, length 3000 mm, 24 V DC
SLUN 50PT	93504	with thermostatic valve, two integrated piezo electronics, length 1250 mm, 24 V DC
SLUN 51PT	93514	with thermostatic valve, three integrated piezo electronics, length 1900 mm, 24 V DC
SLUN 52PT	93525	with thermostatic valve, four integrated piezo electronics, length 2500 mm, 24 V DC
SLUN 53PT	93535	with thermostatic valve, five integrated piezo electronics, length 3000 mm, 24 V DC

- vandal-proof stainless steel spouts and sensor heads
- siphon included, brushed finish
- different lengths could be made to order
- siphon hole is standardly on the right side (could be changed to order)
- could be made to order from stainless steel AISI - 316L



Detail of electronics with stainless steel spout

VANDAL-PROOF STAINLESS STEEL TROUGH

SLUN 50PA	93505	for cold and hot water, two integrated piezo electronics, length 1250 mm, 24 V DC
------------------	--------------	---

- vandal-proof stainless steel spouts
- siphon included, brushed finish
- assembling through two service hatches
- different lengths could be made to order
- siphon hole is standardly on the right side (could be changed to order)
- could be made to order from stainless steel AISI - 316L



Detail of electronics with stainless steel spout

VANDAL-PROOF STAINLESS STEEL WALL HUNG TROUGH

SLUN 80EA	93802	for cold and hot water, two integrated infra-red electronics, length 1250 mm, 24 V DC
------------------	--------------	---

- vandal-proof stainless steel spouts and sensor heads
- siphon included, brushed finish
- assembling through two service hatches
- different lengths could be made to order
- siphon hole is standardly on the right side (could be changed to order)
- could be made to order from stainless steel AISI - 316L





Detail of electronics with stainless steel spout

STAINLESS STEEL WALL HUNG TROUGH

SLUN 80E	93801	for cold and hot water, two integrated infra-red electronics, length 1250 mm, 24 V DC
SLUN 81E	93811	for cold and hot water, three integrated infra-red electronics, length 1900 mm, 24 V DC
SLUN 82E	93821	for cold and hot water, four integrated infra-red electronics, length 2500 mm, 24 V DC
SLUN 83E	93831	for cold and hot water, five integrated infra-red electronics, length 3000 mm, 24 V DC
SLUN 80ET	93803	with thermostatic valve, two integrated infra-red electronics, length 1250 mm, 24 V DC
SLUN 81ET	93813	with thermostatic valve, three integrated infra-red electronics, length 1900 mm, 24 V DC
SLUN 82ET	93823	with thermostatic valve, four integrated infra-red electronics, length 2500 mm, 24 V DC
SLUN 83ET	93833	with thermostatic valve, five integrated infra-red electronics, length 3000 mm, 24 V DC

- vandal-proof stainless steel spouts and sensor heads
- siphon included, brushed finish
- different lengths could be made to order
- siphon hole is standardly on the right side (could be changed to order)
- could be made to order from stainless steel AISI - 316L



Detail of electronics with stainless steel spout

STAINLESS STEEL WALL HUNG TROUGH

SLUN 80P	93804	for cold and hot water, two integrated piezo electronics, length 1250 mm, 24 V DC
SLUN 81P	93814	for cold and hot water, three integrated piezo electronics, length 1900 mm, 24 V DC
SLUN 82P	93824	for cold and hot water, four integrated piezo electronics, length 2500 mm, 24 V DC
SLUN 83P	93834	for cold and hot water, five integrated piezo electronics, length 3000 mm, 24 V DC
SLUN 80PT	93805	with thermostatic valve, two integrated piezo electronics, length 1250 mm, 24 V DC
SLUN 81PT	93815	with thermostatic valve, three integrated piezo electronics, length 1900 mm, 24 V DC
SLUN 82PT	93825	with thermostatic valve, four integrated piezo electronics, length 2500 mm, 24 V DC
SLUN 83PT	93835	with thermostatic valve, five integrated piezo electronics, length 3000 mm, 24 V DC

- vandal-proof stainless steel spouts and sensor heads
- siphon included, brushed finish
- different lengths could be made to order
- siphon hole is standardly on the right side (could be changed to order)
- could be made to order from stainless steel AISI - 316L



Detail of electronics with stainless steel spout

VANDAL-PROOF STAINLESS STEEL WALL HUNG TROUGH

SLUN 80PA	93800	for cold and hot water, two integrated piezo electronics, length 1250 mm, 24 V DC
------------------	--------------	---

- vandal-proof stainless steel spouts and sensor heads
- siphon included, brushed finish
- assembling through two service hatches
- different lengths could be made to order
- siphon hole is standardly on the right side (could be changed to order)
- could be made to order from stainless steel AISI - 316L



STAINLESS STEEL SINKS



STAINLESS STEEL SINK WITH APRON

SLUN 03 93030

- siphon and mounting set included, brushed finish
- tap hole could be made to order



STAINLESS STEEL DOUBLE SINK WITH APRON

SLUN 06 93060

- siphon and mounting set included, brushed finish
- tap hole could be made to order



Detail of electronics with stainless steel spout

STAINLESS STEEL SINK WITH INFRA-RED INTEGRATED ELECTRONICS

- | | | |
|------------|-------|---|
| SLUN 04E | 93041 | for cold and hot water, 24 V DC |
| SLUN 04EB | 93042 | for cold and hot water, battery operated 6 V |
| SLUN 04ET | 93043 | with thermostatic valve, 24 V DC |
| SLUN 04ETB | 93044 | with thermostatic valve, battery operated 6 V |

- vandal-proof stainless steel spouts and sensor heads
- siphon and mounting set included, brushed finish



Detail of electronics with stainless steel spout

STAINLESS STEEL WALL HUNG DOUBLE SINK WITH INTEGRATED ELECTRONICS

- | | | |
|------------|-------|---|
| SLUN 07E | 93071 | for cold and hot water, 24 V DC |
| SLUN 07EB | 93072 | for cold and hot water, battery operated 6 V |
| SLUN 07ET | 93073 | with thermostatic valve, 24 V DC |
| SLUN 07ETB | 93074 | with thermostatic valve, battery operated 6 V |

- vandal-proof stainless steel spouts and sensor heads
- siphon and mounting set included, brushed finish





STAINLESS STEEL FLOOR STANDING BULK SINK

SLUN 15 **93150** 700 x 700 x 850 mm

- siphon included, brushed finish
 - tap hole could be made to order
 - possibility of fine plane regulation by the screws on the supporting legs
 - different dimensions could be made to order
-



STAINLESS STEEL FLOOR STANDING DOUBLE BULK SINK

SLUN 16 **93160** 1200 x 700 x 850 mm

- siphon included, brushed finish
- tap hole could be made to order
- possibility of fine plane regulation by the screws on the supporting legs
- different dimensions could be made to order

STAINLESS STEEL WORKING AND WASHING TABLES



- could be made to order in different modifications
- send inquiries to e-mail: sanela@sanela.cz | www.sanela.eu

**SANITARY CABINS
AND PARTITIONS**



SLKA 01S

**FOR WET AREAS
(showers)**

- HPL laminate th. 12 mm
- metal parts - stainless steel AISI 304
- structural parts made of Aluminium profiles
- stainless steel self-closing hinges





SLKA 01W

**FOR DRY AREAS
(toilets, changing rooms)**

- chipboard th. 18 mm, 25 mm
- metal parts - stainless steel AISI 304
- structural parts made of Aluminium profiles
- stainless steel self-closing hinges



send inquiries to e-mail:
sanela@sanela.cz | www.sanela.eu

STAINLESS STEEL URINALS



VANDAL-PROOF STAINLESS STEEL URINAL

SLPN 06 91060

- siphon and mounting set included, brushed finish
- rear assembling by M10 screws from the service room



STAINLESS STEEL URINAL

SLPN 07 91070

SLPN 07C 91073

with integrated thermic flushing unit, 24 V DC

SLPN 07CZ 91075

with integrated thermic flushing unit and integrated power supply, 230 V AC

SLPN 07CB 91074

with integrated thermic flushing unit, battery operated 6 V

- siphon and mounting set included, brushed finish
- assembling through the service hatch with special screws (TORX)



STAINLESS STEEL URINAL WITH INTEGRATED INFRA-RED FLUSHING UNIT

SLPN 07E 91071 24 V DC

SLPN 07EB 91072 battery operated 6 V

- siphon and mounting set included, brushed finish
- assembling through the service hatch with special screws (TORX)



STAINLESS STEEL URINAL

SLPN 09 91090

SLPN 09C 91093

with integrated thermic flushing unit, 24 V DC

SLPN 09CZ 91095

with integrated thermic flushing unit and integrated power supply, 230 V AC

SLPN 09CB 91094

with integrated thermic flushing unit, battery operated 6 V

- siphon and mounting set included, brushed finish
- assembling through the service hatch with special screws (TORX)



STAINLESS STEEL KEG URINAL WITH INTEGRATED INFRA-RED FLUSHING UNIT

SLPN 10E 91109 24 V DC

SLPN 10EB 91105 battery operated 6 V

- siphon and mounting set included, brushed finish
- assembling by mounting plate with special screws (TORX)



STAINLESS STEEL URINAL TROUGHS



STAINLESS STEEL URINAL TROUGH

SLPN 02	91020	without electronics, one flushing head, length 600 mm
SLPN 02C	91023	with integrated thermic flushing unit, length 600 mm, 24V DC
SLPN 02CB	91024	with integrated thermic flushing unit, length 600 mm, battery operated 6 V

- siphon and mounting set included, brushed finish
- different lengths could be made to order



STAINLESS STEEL URINAL TROUGH WITH INTEGRATED INFRA-RED FLUSHING UNIT

SLPN 02E	91021	length 600 mm, 24 V DC
SLPN 02EB	91022	length 600 mm, battery operated 6 V

- siphon and mounting set included, brushed finish
- different lengths could be made to order



STAINLESS STEEL URINAL TROUGH

SLPN 03	91030	without electronics, two flushing heads, length 1200 mm
SLPN 03C	91033	with integrated thermic flushing unit, length 1200 mm, 24V DC
SLPN 03CB	91034	with integrated thermic flushing unit, length 1200 mm, battery operated 6 V

- siphon and mounting set included, brushed finish
- different lengths could be made to order



STAINLESS STEEL URINAL TROUGH WITH TWO INTEGRATED INFRA-RED FLUSHING UNITS

SLPN 03E	91031	length 1200 mm, 24 V DC
SLPN 03EB	91037	length 1200 mm, battery operated 6 V

- siphon and mounting set included, brushed finish
- different lengths could be made to order



STAINLESS STEEL URINAL TROUGH

SLPN 04	91040	without electronics, three flushing heads, length 1800 mm
SLPN 04C	91043	with integrated thermic flushing unit, length 1800 mm, 24V DC
SLPN 04CB	91044	with integrated thermic flushing unit, length 1800 mm, battery operated 6 V

- siphon and mounting set included, brushed finish
- different lengths could be made to order





STAINLESS STEEL URINAL TROUGH WITH THREE INTEGRATED INFRA-RED FLUSHING UNITS

SLPN 04E 91041 length 1800 mm, 24 V DC
SLPN 04EB 91047 length 1800 mm, battery operated 6 V

- siphon and mounting set included, brushed finish
- different lengths could be made to order



STAINLESS STEEL URINAL TROUGH

SLPN 05 91050 without electronics, four flushing heads, length 2400 mm

- siphon and mounting set included, brushed finish
- different lengths could be made to order



STAINLESS STEEL URINAL TROUGH WITH FOUR INTEGRATED INFRA-RED FLUSHING UNITS

SLPN 05E 91051 length 2400 mm, 24 V DC
SLPN 05EB 91057 length 2400 mm, battery operated 6 V

- siphon and mounting set included, brushed finish
- different lengths could be made to order



STAINLESS STEEL FLOOR-STANDING URINAL TROUGH

SLPN 02Z 91026 length 600 mm
SLPN 03Z 91036 length 1200 mm
SLPN 04Z 91046 length 1800 mm
SLPN 05Z 91056 length 2400 mm

- flushing pipe
- siphon and mounting set included, brushed finish
- different lengths could be made to order



TIME-CONTROLLED FLUSHING UNIT FOR SLPN 02(Z) - 05(Z), 230V AC

SLP 01Z 01011 230 V AC

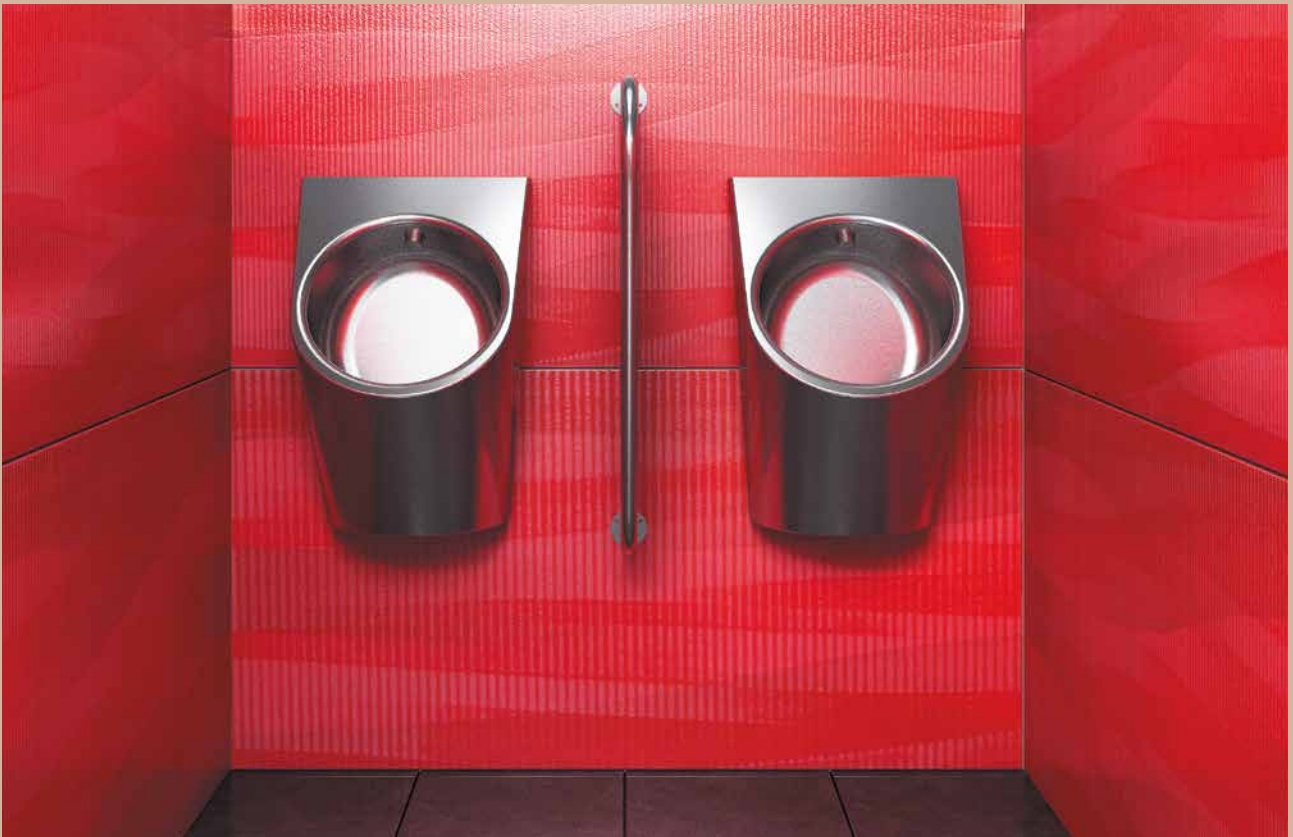


STAINLESS STEEL DIVIDING CURTAIN



STAINLESS STEEL DIVIDING CURTAIN

SLZN 13 95130



SLPN 07C | SLZN 13



SLWN 04 | SLW 01PA | SLZN 19X | SLZN 53 | SLZN 79X | SLZN 37 | SLZN 31C

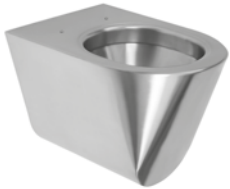
STAINLESS STEEL TOILETS



STAINLESS STEEL FLOOR STANDING TOILET

SLWN 03 94030

- without cover seat, siphon and mounting set included, brushed finish
- rear assembling by mounting plate
- cover seat hole plugs included



STAINLESS STEEL HANGING TOILET

SLWN 04 94040

- without cover seat, siphon and mounting set included, brushed finish
- rear assembling by mounting plate
- cover seat hole plugs included



VANDAL-PROOF STAINLESS STEEL FLOOR STANDING TOILET

SLWN 05 94050

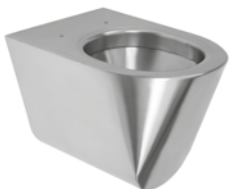
- without cover seat, siphon and M10 screws included, brushed finish
- **rear assembling by M10 screws from the service room**



STAINLESS STEEL HANGING TOILET FOR DISABLED PEOPLE

SLWN 11 94110

- without cover seat, siphon included, brushed finish
- rear assembling by mounting plate
- cover seat hole plugs included



VANDAL-PROOF STAINLESS STEEL HANGING TOILET

SLWN 12 94120

- without cover seat, siphon included, brushed finish
- **rear assembling by M10 screws from the service room**



STAINLESS STEEL FLOOR STANDING TOILET FOR DISABLED PEOPLE

SLWN 13 94130

- without cover seat, siphon included, brushed finish
- rear assembling through the service hatch
- cover seat hole plugs included
- waste outlet into the floor or wall





VANDAL-PROOF STAINLESS STEEL FLOOR STANDING TOILET

SLWN 14 94140

- without cover seat, siphon included, brushed finish
- rear assembling through the service hatch
- cover seat hole plugs included
- waste outlet into the floor or wall



STAINLESS STEEL FLOOR STANDING TOILET

SLWN 30 94302

- without cover seat, siphon included, brushed finish
- assembling through the service hatch
- waste outlet into the floor or wall



STAINLESS STEEL TOILETS WITH THE TANK



STAINLESS STEEL TOILET WITH A TANK (BOTTOM FILLING)

SLWN 15 94150

- manual flushing 4/6 l
- without cover seat, siphon included, brushed finish
- assembling through the service hatch
- cover seat hole plugs included
- waste outlet into the floor or wall



STAINLESS STEEL TOILET FOR DISABLED PEOPLE WITH A TANK (BOTTOM FILLING)

SLWN 16 94160

- manual flushing 4/6 l
- without cover seat, siphon included, brushed finish
- assembling through the service hatch
- cover seat hole plugs included
- waste outlet into the floor or wall



PLASTIC BLACK TOILET COVER SEAT

SLZN 31C 95313 with cover
 SLZN 31A 95315 without cover

- stainless steel pants
- hole dimensions 225 x 280 mm
- outer width 355 mm
- distance of front edge from screw axis 425 mm
- destined for SLWN 03, SLWN 04, SLWN 11, SLWN 13, SLWN 14, SLWN 15, SLWN 16



SLZN 31C

SLZN 31A

STAINLESS STEEL SQUATTING PAN



STAINLESS STEEL SQUATTING PAN

SLWN 07 94070 with stainless steel siphon
SLWN 07D 94071 without stainless steel siphon

- two flushing heads and stainless steel siphon included, brushed finish
(option 07D without siphon)



SET FOR SLWN 07 FOR CONNECTING TO AUTOMATIC FLUSHING UNIT SLW 01XX

SLA 27 06270

VANDAL-PROOF COMBINATION UNITS



VANDAL-PROOF CORNER COMBINATION UNIT

SLWN 08P 94082 floor standing toilet on the right side
SLWN 08L 94081 floor standing toilet on the left side

- without cover seat, with push buttons, M10 screws included, brushed finish
- rear assembling by M10 screws from the service room



VANDAL-PROOF PIEZO CORNER COMBINATION UNIT

SLWN 08PP 94085 floor standing toilet on the right side, 24 V DC
SLWN 08LP 94086 floor standing toilet on the left side, 24 V DC

- without cover seat, with piezo button for WC and piezo button for washbasin spout
- siphon and mounting set included, brushed finish
- rear assembling by M10 screws from the service room



VANDAL-PROOF CORNER COMBINATION UNIT

SLWN 18P 94182 floor standing toilet on the right side
SLWN 18L 94181 floor standing toilet on the left side

- without cover seat, with push buttons
- siphon and mounting set included, brushed finish
- assembling through the service hatch





VANDAL-PROOF PIEZO CORNER COMBINATION UNIT

SLWN 18PP 94185 floor standing toilet on the right side, 24 V DC

SLWN 18LP 94186 floor standing toilet on the left side, 24 V DC

- without cover seat, with piezo button for WC and piezo button for washbasin spout
- siphon and mounting set included, brushed finish
- assembling through the service hatch



VANDAL-PROOF STRAIGHT COMBINATION UNIT

SLWN 28 94282 floor standing toilet

- without cover seat, with push buttons
- siphon and mounting set included, brushed finish
- rear assembling by M10 screws from the service room



VANDAL-PROOF PIEZO STRAIGHT COMBINATION UNIT

SLWN 28P 94283 floor standing toilet, 24 V DC

- without cover seat, with piezo button for WC and piezo button for washbasin spout
- siphon and mounting set included, brushed finish
- rear assembling by M10 screws from the service room



VANDAL-PROOF STRAIGHT COMBINATION UNIT

SLWN 38 94382 floor standing toilet

- without cover seat, with push buttons
- siphon and mounting set included, brushed finish
- assembling through the service hatch



VANDAL-PROOF PIEZO STRAIGHT COMBINATION UNIT

SLWN 38P 94383 floor standing toilet, 24 V DC

- without cover seat, with piezo button for WC and piezo button for washbasin spout
- siphon and mounting set included, brushed finish
- assembling through the service hatch



STAINLESS STEEL AUTOMATIC INFRA-RED AND PIEZO SHOWER PANELS



STAINLESS STEEL AUTOMATIC SHOWER PANEL FOR COLD OR PREMIXED WATER

SLSN 01E	92011	24 V DC
SLSN 01EB	92013	battery operated 6 V

- could be made to order from stainless steel AISI - 316L



STAINLESS STEEL AUTOMATIC SHOWER PANEL

SLSN 02E	92021	with a mixer, 24 V DC
SLSN 02EB	92023	with a mixer, battery operated 6 V
SLSN 02ET	92022	with a thermostatic mixer, 24 V DC
SLSN 02ETB	92024	with a thermostatic mixer, battery operated 6 V

- could be made to order from stainless steel AISI - 316L



STAINLESS STEEL PIEZO SHOWER PANEL FOR COLD OR PREMIXED WATER

SLSN 01P	92018	24 V DC
SLSN 01PB	92019	battery operated 6 V

- could be made to order from stainless steel AISI - 316L



STAINLESS STEEL PIEZO SHOWER PANEL

SLSN 02P	92028	with a mixer, 24 V DC
SLSN 02PB	92029	with a mixer, battery operated 6 V
SLSN 02PT	82021	with a thermostatic mixer, 24 V DC
SLSN 02PTB	82022	with a thermostatic mixer, battery operated 6 V

- could be made to order from stainless steel AISI - 316L



STAINLESS STEEL SHOWER TRAYS



STAINLESS STEEL SHOWER TRAY

SLSN 06 92060 700 x 700 mm

- siphon included, brushed finish



STAINLESS STEEL SHOWER TRAY

SLSN 07 92070 800 x 800 mm

- siphon included, brushed finish



STAINLESS STEEL SHOWER TRAY

SLSN 08 92080 900 x 900 mm

- siphon included, brushed finish



STAINLESS STEEL SHOWER TRAY

SLSN 10 82100 1000 x 1000 mm

- siphon included, brushed finish

STAINLESS STEEL BATHTUBS



STAINLESS STEEL BATH TUB

SLSN 09 92090 1700 x 800 x 460 mm

- siphon included, brushed finish

- different dimensions could be made to order



STAINLESS STEEL BABY BATH TUB

SLSN 11 92110 700 x 400 mm

- siphon included, brushed finish





STAINLESS STEEL COUNTERTOP KEG WASHBASIN

SLUN 77 93774

- siphon and mounting set included, brushed finish
 - assembling by screws
-



STAINLESS STEEL WALL HUNG KEG WASHBASIN WITH A TAP HOLE

SLUN 77A 93775

- siphon and mounting set included, brushed finish
-



STAINLESS STEEL KEG URINAL WITH INTEGRATED INFRA-RED FLUSHING UNIT

SLPN 10E 91109 24 V DC
SLPN 10EB 91105 battery operated 6 V

- siphon and mounting set included, brushed finish
- assembling by mounting plate with special screws (TORX)



STAINLESS STEEL KEG MIRROR

SLZN 82 85821 mirror - high polished finish, frame - brushed finish



SLPN 10E

EYES AND BODY SAFETY SHOWERS



WALL-MOUNTED EYES SHOWER WITH TWO SPRAY HEADS AND START LEVER

SLSN 19 92190



STAINLESS STEEL EYES SHOWER WITH TWO SPRAY HEADS, BOWL AND START LEVER

SLSN 20 82200



HAND EYES SHOWER WITH ONE SPRAY HEAD WITH HOLDER ON THE WALL

SLSN 21 92210



HAND EYES SHOWER WITH ONE SPRAY HEAD, RAKE ANGLE 45°, WITH A GROMMET INTO THE DESK

SLSN 21D 92211



HAND EYES SHOWER WITH ONE SPRAY HEAD WITH HOLDER IN THE WALL

SLSN 21V 92215



HAND EYES SHOWER WITH TWO SPRAY HEADS WITH HOLDER ON THE WALL

SLSN 22 92220



HAND EYES SHOWER WITH TWO SPRAY HEADS, RAKE ANGLE 45°, WITH A GROMMET INTO THE DESK

SLSN 22D 92221



HAND EYES SHOWER WITH TWO SPRAY HEADS WITH HOLDER IN THE WALL

SLSN 22V 92225





FREESTANDING BODY AND EYES SHOWER - BODY SHOWER WITH START TRIGGER AND SELF-CLEANING SHOWER HEAD, EYES SHOWER WITH TWO SPRAY HEADS, BOWL AND START LEVER

SLSN 23 92230



WALL-MOUNTED BODY AND EYES SHOWER - BODY SHOWER WITH START TRIGGER AND SELF-CLEANING SHOWER HEAD, EYES SHOWER WITH TWO SPRAY HEADS, BOWL AND START LEVER

SLSN 23Z 82235



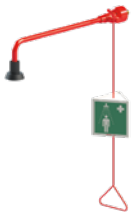
FREESTANDING OUTDOOR BODY SHOWER WITH START TRIGGER AND HEATING, TILL MAX. -20°C

SLSN 23H 82236



FREESTANDING OUTDOOR BODY AND EYES SHOWER WITH START TRIGGER AND HEATING, TILL MAX. -20°C

SLSN 23HO 82237



WALL-MOUNTED BODY SHOWER WITH START TRIGGER AND SELF-CLEANING SHOWER HEAD

SLSN 24 92240



FREESTANDING EYES SHOWER WITH TWO SPRAY HEADS, BOWL AND START LEVER

SLSN 25 92250



PORTABLE EYES AND BODY SHOWER WITH ONE SPRAY HEAD (REFILLABLE)

SLSN 26 92260



FREESTANDING OUTDOOR EYES SHOWER WITH HEATING, TILL MAX. -20°C

SLSN 27 92270



- used for the first aid in accidents caused by fire, chemicals and other substances

STAINLESS STEEL CLEANER'S SINKS



STAINLESS STEEL CLEANER'S SINK

SLVN 01 98010

- back splash, siphon, grating, overflow set and mounting set included, brushed finish
- waste output Ø 50 mm
- dimension 445 x 338 x 380 mm



COMPOSITE STAINLESS STEEL FLOOR STANDING CLEANER'S SINK WITH A WASHBASIN

SLVN 02 98020

SLVN 02E 98021 with tap SLU 08LND, 24 V DC

SLVN 02EB 98022 with tap SLU 08LNDB, battery operated 6 V

- siphon and grating included, brushed finish
- waste output Ø 50 mm
- dimension 500 x 335 x 890 mm



STAINLESS STEEL FLOOR STANDING CLEANER'S SINK

SLVN 03 98030

- siphon and grating included, brushed finish
- waste output Ø 50 mm
- dimension 500 x 460 x 500 mm



VANDAL-PROOF STAINLESS STEEL FLOOR STANDING CLEANER'S SINK WITH APRON

SLVN 03A 98037

- siphon and grating included, brushed finish
- waste output Ø 50 mm
- assembling through the service hatch
- dimension 500 x 460 x 500 mm



STAINLESS STEEL CLEANER'S SINK

SLVN 04 98040

- back splash, siphon, grating, overflow and mounting set included, brushed finish
- waste output Ø 50 mm
- dimension 455 x 340 x 474 mm



STAINLESS STEEL CLEANER'S SINK

SLVN 05 98050

- back splash, siphon, grating, overflow and mounting set included, brushed finish
- waste output Ø 50 mm
- dimension 430 x 320 x 536 mm



STAINLESS STEEL WALL HUNG CLEANER'S SINK

SLVN 06 98060

- back splash, siphon, grating, overflow and mounting set included, brushed finish
- waste output Ø 50 mm
- dimension 570 x 404 x 410 mm

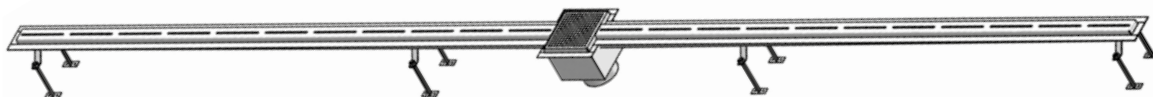


STAINLESS STEEL SINK FOR EMPTYING PORTABLE TOILETS

SLVN 07 98070

- siphon, grating, overflow and mounting set included, brushed finish
- waste output Ø 50 mm
- dimension 570 x 404 x 410 mm

STAINLESS STEEL SWIMMING POOL SLOTTED DRAINS



STAINLESS STEEL FLOOR DRAIN TROUGH

SLKN 01 69010 for swimming pools, length 2 m, AISI - 304
 SLKN 01L 69017 for swimming pools, length 2 m, AISI - 316L

- stainless steel waste outlet with a stink trap included
- bottom bar not included
- different lengths could be made to order

STAINLESS STEEL BATHROOM FLOOR DRAINS



BATHROOM FLOOR DRAIN ASSEMBLED IN THE OPEN SPACE

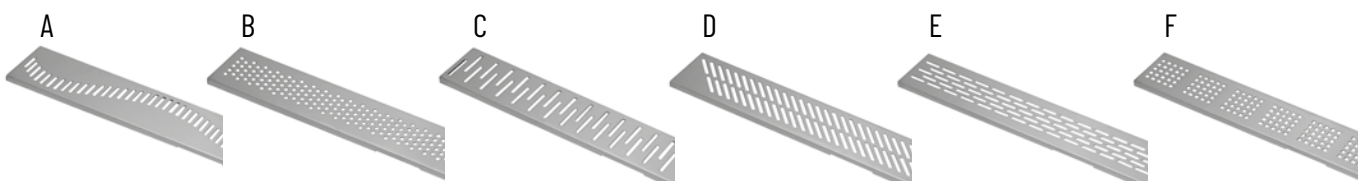
SLKN 03A - SLKN 03FX length 750 mm
 SLKN 04A - SLKN 04FX length 950 mm
 SLKN 05A - SLKN 05FX length 1150 mm
 SLKN 17A - SLKN 17FX length 850 mm



BATHROOM FLOOR DRAIN ASSEMBLED NEAR BY THE WALL

SLKN 06A - SLKN 06FX length 750 mm
 SLKN 07A - SLKN 07FX length 950 mm
 SLKN 08A - SLKN 08FX length 1150 mm
 SLKN 18A - SLKN 18FX length 850 mm

- siphon and grid included
- index X - brushed finish
- different lengths could be made to order





BATHROOM FLOOR DRAIN FOR TILES INSERT IN THE OPEN SPACE

SLKN 09	69090	length 750 mm
SLKN 10	69100	length 950 mm
SLKN 11	69110	length 1150 mm
SLKN 12	69120	length 850 mm

- siphon
 - different lengths could be made to order
-



BATHROOM FLOOR DRAIN FOR TILES INSERT NEAR BY THE WALL

SLKN 13	69130	length 750 mm
SLKN 14	69140	length 850 mm
SLKN 15	69150	length 950 mm
SLKN 16	69160	length 1150 mm

- siphon
 - different lengths could be made to order
-



- plastic siphon \varnothing 40/50 mm and grid for tiles included
- removable smell trap
- the possibility of direct drainage of the waste piping



SLU 63



SLZA 02LN

COIN AND TOKEN SHOWER TIMER - INTERACTIVE CONTROL

For machines it is possible to use these coins: 1 and 2 EUR, metal token. Acceptance of other currencies upon request.

INTERACTIVE CONTROL

- The user can freely turn the water on and off directly in the shower using a button on the stainless steel panel, making this version more efficient, as in most cases, water consumption is lower compared to direct control.
- 30 seconds before the showering time ends, the user is warned by a short water flow interruption, signaling the approaching end of water supply.

SHOWER SELECTION OPTIONS

USER-SELECTED SHOWER

- Before inserting a coin or token, the user selects the desired shower by pressing a button.

AUTOMATIC SHOWER SELECTION

- After inserting a coin or token, the system automatically assigns a shower and briefly turns on the water as an indicator of the assigned shower.

USER-SELECTED SHOWER FROM MENU

- The user selects the shower number on the display and confirms the selection by inserting a coin or token.



COIN AND TOKEN SHOWER TIMER FOR ONE TO THREE SHOWERS

SLZA 01N	88013	24 V DC, choice of shower by the machine
SLZA 01LN	88017	24 V DC, choice of shower by the user

- AISI - 304, brushed finish



RECESSED COIN AND TOKEN SHOWER TIMER FOR ONE TO THREE SHOWERS

SLZA 01NZ	88014	24 V DC, choice of shower by the machine
SLZA 01LNZ	88018	24 V DC, choice of shower by the user

- mounted into the wall
- AISI - 304, brushed finish



COIN AND TOKEN SHOWER TIMER

SLZA 02N	88023	24 V DC, choice of shower by the machine, for 4 to 12 showers
SLZA 02LN	88029	24 V DC, choice of shower by the user, for 4 to 8 showers
SLZA 02KN	89023	24 V DC, choice of shower by the user, for 4 to 12 showers

- AISI - 304, brushed finish



RECESSED COIN AND TOKEN SHOWER TIMER

SLZA 02NZ	88024	24 V DC, choice of shower by the machine, for 4 to 12 showers
SLZA 02LNZ	88020	24 V DC, choice of shower by the user, for 4 to 8 showers
SLZA 02KNZ	89024	24 V DC, choice of shower by the user, for 4 to 12 showers

- mounted into the wall
- AISI - 304, brushed finish





SLZA 21PT



COIN AND TOKEN SHOWER TIMER FOR ONE SHOWER

SLZA 03N 88033 24 V DC

- AISI - 304, brushed finish



RECESSED COIN AND TOKEN SHOWER TIMER FOR ONE SHOWER

SLZA 03NZ 88034 24 V DC

- mounted into the wall

- AISI - 304, brushed finish



SHOWER CONTROLS WITH PIEZO BUTTON FOR COIN AND TOKEN MACHINES WITH INTERACTIVE CONTROL



SHOWER CONTROL WITH PIEZO BUTTON

SLZA 20P 88207 for premixed water



SHOWER CONTROL WITH PIEZO BUTTON

SLZA 20PH 88208 for cold and hot water, water temperature regulation by mixer



SHOWER CONTROL WITH PIEZO BUTTON

SLZA 20PT 88209 for cold and hot water, water temperature regulation by thermostatic mixer



STAINLESS STEEL WALL MOUNTED SHOWER PANEL WITH PIEZO BUTTON

SLZA 21P 88217 for premixed water

SLZA 21PH 88218 for cold and hot water, water temperature regulation by mixer

SLZA 21PT 88219 for cold and hot water, water temperature regulation by thermostatic mixer

SLZA 21P

SLZA 21H

SLZA 21PT

COIN AND TOKEN SHOWER TIMERS - DIRECT CONTROL

For machines it is possible to use these coins: 1 and 2 EUR, metal token. Other currencies could be made to order.

DIRECT CONTROL

- After a preset delay, the automat will start the water for the paid time without the possibility of stopping it.
- 30 seconds before the showering time ends, the user is warned by a short water flow interruption, signaling the approaching end of water supply.

SHOWER SELECTION OPTIONS

USER-SELECTED SHOWER

- Before inserting a coin or token, the user selects the desired shower by pressing a button.

AUTOMATIC SHOWER SELECTION

- After inserting a coin or token, the system automatically assigns a shower and briefly turns on the water as an indicator of the assigned shower.

USER-SELECTED SHOWER FROM MENU

- The user selects the shower number on the display and confirms the selection by inserting a coin or token.



COIN AND TOKEN SHOWER TIMER FOR ONE TO THREE SHOWERS

SLZA 01M **88011** 24 V DC, choice of shower by the machine

SLZA 01LM **88015** 24 V DC, choice of shower by the user

- AISI - 304, brushed finish



RECESSED COIN AND TOKEN SHOWER TIMER FOR ONE TO THREE SHOWERS

SLZA 01MZ **88012** 24 V DC, choice of shower by the machine

SLZA 01LMZ **88016** 24 V DC, choice of shower by the user

- mounted into the wall

- AISI - 304, brushed finish



COIN AND TOKEN SHOWER TIMER

SLZA 02M **88021** 24 V DC, choice of shower by the machine, for 4 to 12 showers

SLZA 02LM **88027** 24 V DC, choice of shower by the user, for 4 to 8 showers

SLZA 02KM **89021** 24 V DC, choice of shower by the user, for 4 to 12 showers

- AISI - 304, brushed finish



RECESSED COIN AND TOKEN SHOWER TIMER

SLZA 02MZ **88022** 24 V DC, choice of shower by the machine, for 4 to 12 showers

SLZA 02LMZ **88028** 24 V DC, choice of shower by the user, for 4 to 8 showers

SLZA 02KMZ **89022** 24 V DC, choice of shower by the user, for 4 to 12 showers

- mounted into the wall

- AISI - 304, brushed finish





COIN AND TOKEN SHOWER TIMER FOR ONE SHOWER

SLZA 03M 88031 24 V DC

- AISI - 304, brushed finish



RECESSED COIN AND TOKEN SHOWER TIMER FOR ONE SHOWER

SLZA 03MZ 88032 24 V DC

- mounted into the wall

- AISI - 304, brushed finish



AUTOMATIC SHOWER CONTROLS FOR COIN AND TOKEN MACHINES WITH DIRECT CONTROL



SHOWER CONTROL WITHOUT PIEZO BUTTON

SLZA 20 88200 for premixed water



SHOWER CONTROL WITHOUT PIEZO BUTTON

SLZA 20H 88205 for cold and hot water, water temperature regulation by mixer



SHOWER CONTROL WITHOUT PIEZO BUTTON

SLZA 20T 88206 for cold and hot water, water temperature regulation by thermostatic mixer



STAINLESS STEEL WALL MOUNTED SHOWER PANEL WITHOUT PIEZO BUTTON

SLZA 21 88210 for premixed water

SLZA 21H 88215 for cold and hot water, water temperature regulation by mixer

SLZA 21T 88216 for cold and hot water, water temperature regulation by thermostatic mixer

SLZA 21 SLZA 21H SLZA 21T

TOKEN SHOWER PANELS

For these shower panels only SLZA 52 tokens are used, the tokens are thrown into the shower panel.

- the user can start or stop the water directly in the shower by the push button on the stainless steel panel
- in the last third of the credit the end of water supply the user is warned by interrupting of water flow
- in case of renting the whole area it is possible to switch panels into mode „FOR FREE“



SLZA 28

SLZA 29

SLZA 29T

STAINLESS STEEL TOKEN SHOWER PANEL

SLZA 28	89286	cold or premixed water, 24 V DC
SLZA 29	89290	with mixer for cold and hot water, 24 V DC
SLZA 29T	89291	with thermostatic mixer for cold and hot water, 24 V DC

- AISI - 304, brushed finish



COIN AND TOKEN MACHINES FOR DOOR OPENING



SLZA 40G

SLZA 40GV

COIN AND TOKEN MACHINE FOR DOOR OPENING, FOR 12 V LOCK

SLZA 40	88400	24 V DC
SLZA 40V	88404	euro key, 24 V DC

- AISI - 304, brushed finish



COIN AND TOKEN MACHINE FOR DOOR OPENING WITH GSM MODULE, FOR 12V LOCK

SLZA 40G	88402	24 V DC
SLZA 40GV	88406	euro key, 24 V DC

- SMS message about full cash register, including the possibility of reporting the current balance
- AISI - 304, brushed finish



SLZA 40GZ

SLZA 40GVZ

RECESSED COIN AND TOKEN MACHINE FOR DOOR OPENING, FOR 12 V LOCK

SLZA 40Z	88401	24 V DC
SLZA 40VZ	88405	euro key, 24 V DC

- mounted into the wall
- AISI - 304, brushed finish



RECESSED COIN AND TOKEN MACHINE FOR DOOR OPENING WITH GSM MODULE, FOR 12V LOCK

SLZA 40GZ	88403	24 V DC
SLZA 40GVZ	88407	euro key, 24 V DC

- mounted into the wall
- SMS message about full cash register, including the possibility of reporting the current balance
- AISI - 304, brushed finish



COIN AND TOKEN MACHINES FOR SINGLE-PHASE APPLIANCES



COIN AND TOKEN MACHINE FOR SINGLE-PHASE APPLIANCES

SLZA 41 **88410** for washing machine, hairdryer, TV, etc., 230 V AC, 24 V DC
- AISI - 304, brushed finish



RECESSED COIN AND TOKEN MACHINE FOR SINGLE-PHASE APPLIANCES

SLZA 41Z **88411** for washing machine, hairdryer, TV, etc., 230 V AC, 24 V DC
- mounted into the wall
- AISI - 304, brushed finish



COIN AND TOKEN MACHINE FOR TWO TO EIGHT SINGLE-PHASE APPLIANCES

SLZA 04L **88040** for washing machine, hairdryer, TV, etc., 230 V AC, choice
by the user, 24 V DC
- AISI - 304, brushed finish



RECESSED COIN AND TOKEN MACHINE FOR TWO TO EIGHT SINGLE-PHASE APPLIANCES

SLZA 04LZ **88041** for washing machine, hairdryer, TV, etc., 230 V AC, choice
by the user, 24 V DC
- mounted into the wall
- AISI - 304, brushed finish



AUTOMATIC DEVICES, MULTIPLE PAYMENT METHODS



AUTOMATIC DEVICE, MULTIPLE PAYMENT METHODS

SLZA 43A **88438** for 1 - 4 door locks, 24 V DC
SLZA 43AV **88439** for 1 - 4 door locks, euro key, 24 V DC
SLZA 43B **89430** for 1 - 4 single-phase appliances, 24 V DC
SLZA 43S **89432** for 1 - 4 showers, 24 V DC

- AISI - 304, brushed finish



SET OF PARTS FOR INSTALLATION OF SLZA 43XX INTO THE WALL

SLZA 58 **88580**

ACCESSORIES



UNIVERSAL REMOTE CONTROL FOR AN ADJUSTMENT OF PARAMETERS

SLD 04	07040	of token machines
SLD 05	07050	of coin and token machines



DISTRIBUTOR

SLZA 15	88150	of valves on DIN rail
SLZA 17	88170	of push buttons on DIN rail



SET OF 50 PCS. OF TOKENS FOR COIN OR TOKEN MACHINES

SLZA 50	88500	SLZA 01xx, SLZA 02xx, SLZA 03xx, SLZA 04xx, SLZA 40 a SLZA 41
---------	-------	---



SET OF 50 PCS TOKENS FOR SHOWER PANELS

SLZA 52	88520	SLZA 28, SLZA 29, SLZA 29T
---------	-------	----------------------------



POWER SUPPLY CONTACTOR (FOR SINGLE-PHASE APPLIANCE)

SLZA 53	88530	24 V DC
---------	-------	---------



SLZA 43

RFID PROGRAM

comprehensive control system with chip technology



PROGRAMMING STATION

- necessary to control the whole system
- used as remote control for adjustment and programming of the system
- used for creating of individual tokens
- allows three levels of authorized access to control (administrator, extended, basic), the scope of individual authorizations is determined by administrator
- used for charging and recharging the credit on the user token
- allows information export about recharging the individual tokens to the PC



PAIRING TOKEN

The producer creates the pairing token on the base of customer's specifications

- pair, link individual devices (shower controls, washing machines, door locks, etc.) with programming stations into one closed unit, where only tokens charged on the connected programming station will be active, other tokens, e.g. from next campsite, won't work here



SETTING TOKEN

The producer creates the setting token on the base of customer's specifications.

- sets individual devices to the required parameters (e.g. number of consumed credits for a certain time of showering, for a use of television, for switch on the washing machine)



USER TOKEN

The operator (system administrator) creates profiles of individual user tokens on the programming station, e.g.:

- standard user token
- VIP user token - e.g. for staff - possibility to use of all devices for free
- user token for handicap people or parents with children - allows entry to specially created spaces



OPTIONS TO SET THE TOKEN

At the programming station it is possible to charge required number of credits on the user token, where one credit will be e.g. 2 EUR. The user then pays for use of showers, washing machine, hairdryer etc. by individual credits, that are deducted from token when using of the device. Of course it is possible to set the device activation without credit deduction, e.g. entrance to the area, door lock opening etc. The big advantage is the use of one token for more devices and during whole stay. The token is possible to recharge at the area staff .



CREDIT READERS

SLZA 30CZ

Recessed credit value reader. Used for check credit value on token.



SLZA 30C

Credit value reader. Used for check credit value on token.



SHOWER PANELS AND SHOWER CONTROLS

- after inserting the charged token into the panel, it is indicated by flashing the red diode
- system reacts on the push of the button by immediate water flow and lighting on the ten red diodes, which with gradual lighting off counts down the shower time
 - the user can start and stop the water directly in the shower
- in the last third of the paid time before the end of the water supply, the user is notified by interruption of the water flow



DOOR LOCKS

- after putting the token to machine the door lock opens
- it is possible to restrict the entrance e.g. to WC only for staying guests



BARRIERS

- after putting the token to machine the barrier opens
- restriction of the entrance to the area only for staying guests or only for vehicles with paid parking in the area



SINGLE-PHASE APPLIANCES

- appliances switch on only after putting the token to machine
- it is possible to set for each appliance the level of payment, i.e. number of credits for a certain time
- display shows the remaining operating time of the appliance



SLZA 60

- RFID token-operated machine for selling electricity

RFID TOKEN MACHINES FOR SHOWER CONTROLS



RFID TOKEN SHOWER CONTROL

SLZA 35 89350 for cold or premixed water, 24 V DC



STAINLESS STEEL RFID TOKEN SHOWER PANEL

SLZA 31 89310 for cold or premixed water, 24 V DC
 SLZA 32 89321 with mixer for cold and hot water, 24 V DC
 SLZA 32T 89320 with thermostatic mixer for cold and hot water, 24 V DC

- AISI - 304, could be made to order from stainless steel AISI 316L

SLZA 31 SLZA 32 SLZA 32T

TEMPERATURE REGULATION



MIXING VALVE WITH STAINLESS STEEL COVER

SLZA 35H 89351

RFID TOKEN MACHINES FOR SINGLE-PHASE APPLIANCES



WALL-MOUNTED RFID TOKEN MACHINE FOR SINGLE-PHASE APPLIANCE 230 V

SLZA 30B
 89305
 24 V DC



RECESSED RFID TOKEN MACHINE FOR SINGLE-PHASE APPLIANCE 230 V

SLZA 30BZ
 89306
 24 V DC

RFID TOKEN MACHINES FOR DOOR OPENING



WALL-MOUNTED RFID TOKEN MACHINE FOR DOOR OPENING FOR 12 V LOCK

SLZA 30A
 89303
 24 V DC



RECESSED RFID TOKEN MACHINE FOR DOOR OPENING FOR 12 V LOCK

SLZA 30AZ
 89304
 24 V DC

RFID TOKEN MACHINES FOR BARRIER OPENING



WALL-MOUNTED RFID TOKEN MACHINE FOR BARRIER OPENING

SLZA 30E
89309
24 V DC



RECESSED RFID TOKEN MACHINE FOR BARRIER OPENING

SLZA 30EZ
89318
24 V DC

RFID TOKEN MACHINES FOR ELECTRICITY SALE



RFID TOKEN MACHINE FOR ELECTRICITY SALE

SLZA 60
88600

PROGRAMMING AND CHARGING STATIONS



STAND ALONE PROGRAMMING STATION FOR RFID TOKENS

SLZA 30
89300



PROGRAMMING STATION FOR RFID TOKENS

SLZA 38
89380



PAYMENT TERMINAL FOR RFID TOKEN RECHARGING

SLZA 30D
89307

ACCESSORIES



WALL-MOUNTED CREDIT VALUE READER FOR RFID TOKENS

SLZA 30C
89301
24 V DC



RECESSED CREDIT VALUE READER FOR RFID TOKENS

SLZA 30CZ
89302
24 V DC



POWER SUPPLY CONTACTOR (FOR SINGLE-PHASE APPLIANCE)

SLZA 53
88530
24 V DC



PROTECTIVE COVER ABOVE THE MACHINES

SLZA 54
88540

SLZA 54A
88541

SLZA 54

SLZA 54A



SET OF 50 PCS RFID TOKENS FOR TOKEN MACHINES

SLZA 51	88510	colour yellow
SLZA 51B	88511	colour blue
SLZA 51R	88512	colour red
SLZA 55	88551	RFID Wristband, colour yellow

STAINLESS STEEL TOILET PAPER HOLDERS AND SUPPLY BIN FOR SANITARY BAGS



STAINLESS STEEL HOLDER FOR BIG COILS OF TOILET PAPER, POLISHED

SLZN 01 95010

- max. size of coil \varnothing 290 x 100 mm
- min. \varnothing of the toilet paper core is 55 mm



STAINLESS STEEL TOILET PAPER HOLDERS

SLZN 09 95090 polished
SLZN 09N 95091 black matt



STAINLESS STEEL TOILET PAPER HOLDER, BRUSHED

SLZN 26 95260

- for two coils of toilet paper (max. \varnothing 135 mm)



STAINLESS STEEL RECESSED TOILET PAPER HOLDER, BRUSHED

SLZN 26Z 95261

- mounted into the wall
- for two coils of toilet paper (max. \varnothing 135 mm)



STAINLESS STEEL HOLDER FOR BIG COILS OF TOILET PAPER, BRUSHED

SLZN 37 95370

- max. size of coil \varnothing 290 x 100 mm
- min. \varnothing of the toilet paper core is 55 mm



STAINLESS STEEL HOLDERS FOR BIG COILS OF TOILET PAPER

SLZN 37X 95371 brushed
SLZN 37V 95372 black matt

- max. size of coil \varnothing 290 x 100 mm
- min. \varnothing of the toilet paper core is 55 mm



STAINLESS STEEL TOILET PAPER HOLDER, VERTICAL, FOR TWO COILS, BRUSHED

SLZN 47D 85478



STAINLESS STEEL TOILET PAPER HOLDER, BRUSHED

SLZN 47H 85474



STAINLESS STEEL SUPPLY BIN FOR SANITARY BAGS, BRUSHED

SLZN 53 95530

- dimensions 95 x 27 x 136 mm



STAINLESS STEEL TOILET SEAT COVER DISPENSER, BRUSHED

SLZN 66 95660

- dimensions 400 x 50 x 280 mm

STAINLESS STEEL SUPPLY BINS FOR PAPER TOWELS AND WASTE BINS



STAINLESS STEEL SUPPLY BIN FOR A FOLDER PAPER TOWELS, POLISHED

SLZN 03 95030

- dimensions 340 x 110 x 265 mm

- max. size of filling 260 x 100 mm



STAINLESS STEEL SUPPLY BIN FOR FOLDER PAPER TOWELS, BRUSHED

SLZN 20 95200

- dimensions 340 x 110 x 265 mm

- max. size of filling 260 x 100 mm



STAINLESS STEEL SUPPLY BINS FOR FOLDER PAPER TOWELS

SLZN 20X 95201 brushed

SLZN 20V 95202 black matt

- dimensions 340 x 110 x 265 mm

- max. size of filling 260 x 100 mm



STAINLESS STEEL WASTE BIN WITH A PLASTIC INSERT, POLISHED

SLZN 10 95100 volume 3 l, dimensions 170 x 245 mm

SLZN 11 95110 volume 5 l, dimensions 205 x 270 mm

SLZN 12 95120 volume 18 l, dimensions 295 x 440 mm

SLZN 15 95150 volume 10 l, dimensions 250 x 380 mm



STAINLESS STEEL WASTE BIN WITH A PLASTIC INSERT, BRUSHED

SLZN 10X	75106	volume 3 l, dimensions 170 x 245 mm
SLZN 11X	95111	volume 5 l, dimensions 205 x 270 mm
SLZN 12X	95121	volume 18 l, dimensions 295 x 440 mm
SLZN 15X	75156	volume 10 l, dimensions 250 x 380 mm



STEEL WASTE BIN WITH A PLASTIC INSERT, BLACK MATT

SLZN 10V	95102	volume 3 l, dimensions 170 x 245 mm
SLZN 11V	95112	volume 5 l, dimensions 205 x 270 mm
SLZN 12V	95122	volume 18 l, dimensions 295 x 440 mm
SLZN 15V	95152	volume 10 l, dimensions 250 x 380 mm



STAINLESS STEEL SUPPLY BIN FOR FOLDER PAPER TOWELS WITH A WASTE BIN, BRUSHED

SLZN 21 95210

- dimensions 710 x 360 x 110 mm
- capacity about 600/800 paper towels, volume 7,5 l



STAINLESS STEEL RECESSED SUPPLY BIN FOR FOLDER PAPER TOWELS WITH A WASTE BIN, BRUSHED

SLZN 21Z 95211

- mounted into the wall
- dimensions 790 x 330 x 125 mm (on the wall)
- 600/800 paper towels, waste bin volume 7,5 l



STAINLESS STEEL WALL HUNG WASTE BIN, VOLUME 12 L, BRUSHED

SLZN 22 95220

- dimensions 300 x 160 x 350 mm



STAINLESS STEEL WALL HUNG WASTE BIN, VOLUME 24 L

SLZN 23	95230	polished
SLZN 23X	75236	brushed
SLZN 23V	95231	black matt

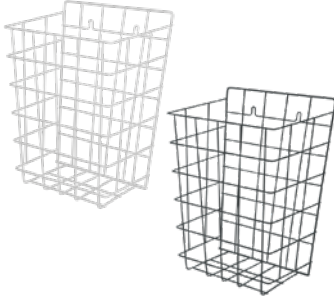
- dimensions 360 x 160 x 435 mm



STAINLESS STEEL WALL HUNG WASTE BIN WITH A COVER, VOLUME 4 L, BRUSHED

SLZN 24 95240

- dimensions 192 x 97 x 253 mm

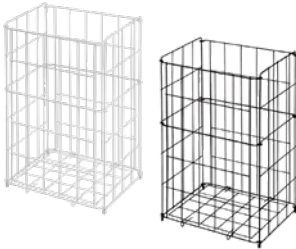


STEEL WIRE WALL HUNG WASTE BIN, WHITE, VOLUME 12,5 L

SLZN 40 95400 white

SLZN 40V 95401 black

- dimensions 360 x 290 x 180 mm

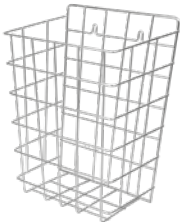


STEEL WIRE FLOOR STANDING WASTE BIN, WHITE, VOLUME 44,5 L

SLZN 42 95420 white

SLZN 42V 95421 black

- dimensions 540 x 340 x 260 mm



STAINLESS STEEL WIRE WALL HUNG WASTE BIN, VOLUME 12,5 L

SLZN 41 95410

- dimensions 385 x 290 x 130 mm



STAINLESS STEEL WIRE FLOOR STANDING WASTE BIN, VOLUME 44,5 L

SLZN 43 95430

- dimensions 540 x 340 x 260 mm



STAINLESS STEEL FLOOR STANDING WASTE BIN, VOLUME 77 L, BRUSHED

SLZN 49AA 85490 legend PLASTIC ONLY

SLZN 49AB 85491 legend PAPER ONLY

SLZN 49AC 85492 legend GLASS ONLY

SLZN 49AD 85493 legend GENERAL WASTE

- dimensions 420 x 320 x 590 mm

- different legend could be made to order



STAINLESS STEEL RECESSED SUPPLY BIN FOR A FOLDER PAPER TOWELS, BRUSHED

SLZN 56Z 95561

- mounted into the wall
- dimensions 435 x 328 x 122 mm



STAINLESS STEEL RECESSED WASTE BIN, VOLUME 11 L, BRUSHED

SLZN 63Z 95631

- mounted into the wall
- dimensions 360 x 710 x 110 mm



STAINLESS STEEL SQUARED WASTE BIN WITH A PLASTIC INSERT, BRUSHED

- | | | |
|----------|-------|--|
| SLZN 78X | 85780 | volume 5 l, dimensions 285 x 205 x 245 mm |
| SLZN 79X | 85790 | volume 10,5 l, dimensions 395 x 235 x 285 mm |
| SLZN 80X | 85800 | volume 19 l, dimensions 450 x 280 x 310 mm |



ROUND WASTE BIN, POWDER COATING

- | | | |
|----------|-------|---------------------------|
| SLZN 96A | 85960 | colour white, volume 13 l |
| SLZN 96B | 85961 | colour grey, volume 13 l |
| SLZN 96E | 85962 | colour black, volume 13 l |

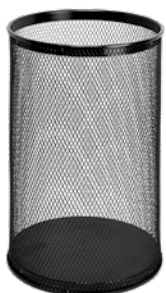
- dimensions 230 x 230 x 335 mm



ROUND WASTE BIN, POWDER COATING

- | | | |
|----------|-------|---------------------------|
| SLZN 97A | 85970 | colour white, volume 18 l |
| SLZN 97B | 85971 | colour grey, volume 18 l |
| SLZN 97E | 85972 | colour black, volume 18 l |

- dimensions 305 x 305 x 340 mm



ROUND WASTE BIN, POWDER COATING

- | | | |
|----------|-------|-----------------------------|
| SLZN 98A | 85980 | colour white, volume 28,5 l |
| SLZN 98B | 85981 | colour grey, volume 28,5 l |
| SLZN 98E | 85982 | colour black, volume 28,5 l |

- dimensions 305 x 305 x 510 mm





AUTOMATIC STAINLESS STEEL SOAP AND DISINFECTION DISPENSERS

- dispenser is suitable for hand disinfection in public areas with a higher frequency of visitors (hospitals, schools, companies, sports grounds etc.)
- easy and quick 5 l inner plastic container replacement
- stainless steel vandal-proof design
- disinfection dosage is possible to adjust by remote control



AUTOMATIC STAINLESS STEEL LIQUID AND GEL DISINFECTION DISPENSER, VOLUME 5 L, BRUSHED

SLZN 59E	95590	230 V AC
SLZN 59EB	95592	12 V

- inner plastic container included 5 l
- external power supply for wall socket included (pro SLZN 59E)
- rechargeable batteries included 12 V (pro SLZN 59EB)
- remote control SLD 03 included
- material stainless steel AISI 304, could be made to order from stainless steel AISI 316L
- dimensions 230 x 195 x 365 mm



AUTOMATIC STAINLESS STEEL LIQUID AND GEL DISINFECTION DISPENSER WITH STAND, VOLUME 5 L, BRUSHED

SLZN 59ES	95591	230 V AC
SLZN 59ESB	95593	12 V

- inner plastic container included
- external power supply for wall socket included (for SLZN 59ES)
- rechargeable batteries included 12 V (for SLZN 59ESB)
- remote control SLD 03 included
- holes for drip tray SLZN 60
- material stainless steel AISI 304, could be made to order from stainless steel AISI 316L
- dimensions 500 x 370 x 1500 mm



DRIP TRAY FOR SLZN 59E, SLZN 59ES, BRUSHED

SLZN 60	95600	
----------------	--------------	--

- dimensions 227 x 192 x 70 mm



RECHARGEABLE BATTERY PACK FOR SLZN 59EB, 12 V

SLA 58	06580	12 V
---------------	--------------	------



CHARGER FOR BATTERY PACK FOR SLA 58, 230 AC/12 V

SLA 58N	06581	
----------------	--------------	--



AUTOMATIC WALL-MOUNTED LIQUID SOAP AND DISINFECTION DISPENSER, INNER PLASTIC CONTAINER, VOLUME 0,85 L, BRUSHED, 4,5 V

SLZN 71E 85717
SLZN 71ESB 85718 with stand
- dimensions 108 x 268 x 107 mm



AUTOMATIC WALL-MOUNTED FOAM SOAP DISPENSER, VOLUME 0,85 L, BRUSHED

SLZN 72E 85727
- dimensions 108 x 268 x 107 mm



DRIP TRAY FOR SLZN 71E, SLZN 71ESB AND SLZN 72E

SLZN 61 95610
- dimensions 108 x 108 x 35 mm



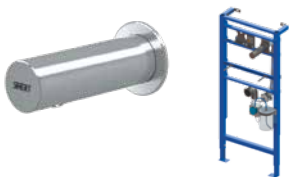
AUTOMATIC STAINLESS STEEL WALL-MOUNTED SOAP DISPENSER, SOAP CANISTER 1 L

SLZN 83E 85831



BLACK AUTOMATIC STAINLESS STEEL WALL-MOUNTED SOAP DISPENSER, SOAP CANISTER 1 L

SLZN 83EV 85837



AUTOMATIC STAINLESS STEEL WALL-MOUNTED SOAP DISPENSER, SOAP CANISTER 1 L, MOUNTING FRAME SLR 24 INCLUDED

SLZN 83ER 85838 230 V AC
SLZN 83EVR 85839 230 V AC, black



AUTOMATIC STAINLESS STEEL WALL-MOUNTED SOAP DISPENSER WITH CENTRAL SOAP CANISTER

SLZN 83E2 85832 2 spouts, soap canister 6 l, 230 V AC
SLZN 83E3 85833 3 spouts, soap canister 6 l, 230 V AC
SLZN 83E4 85834 4 spouts, soap canister 6 l, 230 V AC
SLZN 83E5 85835 5 spouts, soap canister 6 l, 230 V AC
SLZN 83E6 85836 6 spouts, soap canister 6 l, 230 V AC



AUTOMATIC STAINLESS STEEL WALL-MOUNTED SOAP DISPENSER WITH CENTRAL SOAP CANISTER, MOUNTING FRAME SLR 24 INCLUDED

SLZN 83ER2	85812	2 spouts, soap canister 6 l, 230 V AC
SLZN 83ER3	85813	3 spouts, soap canister 6 l, 230 V AC
SLZN 83ER4	85814	4 spouts, soap canister 6 l, 230 V AC
SLZN 83ER5	85815	5 spouts, soap canister 6 l, 230 V AC
SLZN 83ER6	85816	6 spouts, soap canister 6 l, 230 V AC



AUTOMATIC STAINLESS STEEL COUNTERTOP SOAP DISPENSER, SOAP CANISTER 1 L

SLZN 91E	85911	soap canister 1 l, 230 V AC
----------	-------	-----------------------------



AUTOMATIC STAINLESS STEEL COUNTERTOP SOAP DISPENSER WITH CENTRAL SOAP CANISTER

SLZN 91E2	85912	2 spouts, soap canister 6 l, 230 V AC
SLZN 91E3	85913	3 spouts, soap canister 6 l, 230 V AC
SLZN 91E4	85914	4 spouts, soap canister 6 l, 230 V AC
SLZN 91E5	85915	5 spouts, soap canister 6 l, 230 V AC
SLZN 91E6	85916	6 spouts, soap canister 6 l, 230 V AC

STAINLESS STEEL SOAP AND DISINFECTION DISPENSERS



STAINLESS STEEL LIQUID SOAP DISPENSER, POLISHED

SLZN 05	95050	volume 1,25 l, dimensions 120 x 70 x 210 mm
SLZN 06	95060	volume 0,85 l, dimensions 110 x 60 x 180 mm
SLZN 07	95070	volume 0,5 l, dimensions 95 x 55 x 145 mm



RECESSED LIQUID SOAP DISPENSER, POLISHED

SLZN 17	95170	
		- max. thickness of desk 90 mm
		- needful Ø desk hole 22 mm
		- volume 0,6 l



SLZN 39A

SLZN 39X

STAINLESS STEEL LIQUID SOAP DISPENSER, VOLUME 1,2 L, BRUSHED

SLZN 39A	95391	polished
SLZN 39X	95392	brushed
		- dimensions 200 x 120 x 120 mm



RECESSED SOAP DISPENSER TO THE WALL, VOLUME 1 L, BRUSHED

SLZN 62Z 95621

- dimensions 260 x 150 x 100 mm



WALL-MOUNTED LIQUID SOAP DISPENSER, INNER PLASTIC CONTAINER, VOLUME 1 L, BRUSHED

SLZN 73 85730

- dimensions 250 x 100 x 120 mm



STAINLESS STEEL LIQUID SOAP AND DISINFECTION DISPENSER - ELBOW OPERATION, VOLUME 0,5L, BRUSHED

SLZN 74 85740

- dimensions 245 x 82 x 160 mm



PLASTIC ACCESSORIES FOR HEALTH CARE



SUPPLY BIN FOR BIG COILS OF TOILET PAPER, MATERIAL WHITE PLASTIC ABS

SLDN 01 72010

- max. \varnothing 260 mm

- min. \varnothing of the toilet paper core is 55 mm or 70 mm



SUPPLY BIN FOR COIL OF PAPER TOWELS, MATERIAL WHITE PLASTIC ABS

SLDN 02 72020

- dimensions 260 x 230 x 300 mm

- max. size of coil \varnothing 210 mm



SUPPLY BIN FOR FOLDER PAPER TOWELS, MATERIAL WHITE PLASTIC ABS

SLDN 03 72030

- dimensions 260 x 140 x 300 mm

- max. size of filling 230 x 250 mm (650 pcs. of paper towels)



AUTOMATIC SUPPLY BIN FOR PAPER TOWELS

SLZN 85 85850

- dimensions 180 x 97 x 280 mm

- max. size of filling 180 x 210 mm





DISPENSER, MATERIAL WHITE PLASTIC ABS

- SLDN 05 72050 of foam soap, volume 1 l
- SLDN 06 72060 of liquid/gel disinfection and soap, volume 1 l
- SLDN 07 72070 of liquid disinfection with spray spatter, volume 1 l

- dimensions 245 x 110 x 115 mm
 - min. Ø of the toilet paper core is 55 mm or 70 mm



AUTOMATIC LIQUID SOAP AND DISINFECTION DISPENSER, VOLUME 1 L, MATERIAL WHITE PLASTIC ABS, 6 V

- SLDN 08E 72081 of liquid/gel disinfection and soap
- SLDN 08ED 72082 of liquid disinfection with spray spatter
- SLDN 08ES 72083 of liquid soap and gel disinfection dispenser with stainless steel stand
- SLDN 08EDS 72084 of liquid disinfection dispenser with spray spatter with stainless steel stand

- dimensions without stand 280 x 145 x 140 mm



WALL-MOUNTED LIQUID/GEL DISINFECTION AND SOAP DISPENSER, VOLUME 700 ML, WHITE PLASTIC ABS

- SLDN 99A 72991 of liquid/gel disinfection and soap

- dimensions 206 x 110 x 90 mm



SUPPLY BIN FOR BIG COILS OF TOILET PAPER, MATERIAL BLACK PLASTIC ABS

- SLDN 01N 72011

- max. Ø 260 mm



SUPPLY BIN FOR BIG COILS OF PAPER TOWELS, MATERIAL BLACK PLASTIC ABS

- SLDN 02N 72021

- dimensions 260 x 230 x 300 mm
 - max. size of coil Ø 210 mm



SUPPLY BIN FOR FOLDER PAPER TOWELS, MATERIAL BLACK PLASTIC ABS

- SLDN 03N 72031

- dimensions 260 x 140 x 300 mm
 - max. size of filling 230 x 250 mm (650 pcs. of paper towels)



DISPENSER, MATERIAL BLACK PLASTIC ABS

- SLDN 05N 72051 of foam soap, volume 1 l
- SLDN 06N 72061 of liquid/gel disinfection and soap
- SLDN 07N 72071 of liquid disinfection with spray spatter, volume 1 l

- dimensions 245 x 110 x 115 mm



STAINLESS STEEL HOOKS AND TOILET BRUSHES



VANDAL-PROOF STAINLESS STEEL HOOK, BRUSHED

SLZN 45 95450



STAINLESS STEEL HOOK, Ø 20 X 50 MM, BRUSHED

SLZN 46 95460



STAINLESS STEEL HOOK, Ø 20 X 100 MM, BRUSHED

SLZN 46D 85468



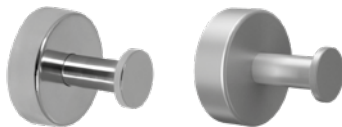
SLZN 57

SLZN 57X

STAINLESS STEEL DOUBLE HOOK

SLZN 57 95570 polished

SLZN 57X 75576 brushed



SLZN 67

SLZN 67X

STAINLESS STEEL HOOK

SLZN 67 95670 polished

SLZN 67x 95671 brushed



STAINLESS STEEL HOOK

SLZN 68 95680 polished

SLZN 68N 95681 black matt



VANDAL-PROOF STAINLESS STEEL HOOK WITH "ANTI-SUICIDAL" SYSTEM, BRUSHED

SLZN 70 95700



STAINLESS STEEL SHELVES, LENGTH 800 MM, BRUSHED

SLZN 65 95650

- different lengths could be made to order



WALL-MOUNTED STAINLESS STEEL SHAMPOO HOLDER, BRUSHED

SLZN 76 85760

- different lengths could be made to order



STAINLESS STEEL WALL MOUNTED TOILET BRUSH

SLZN 19	95190	polished
SLZN 19X	75196	brushed

- stainless steel cover dimensions 90 x 260 mm
- mounted on the wall or on the floor

AUTOMATIC HAND DRYERS



AUTOMATIC WALL MOUNTED HAND DRYER, WHITE COVER

SLO 01L	79011	230 V AC
---------	-------	----------



AUTOMATIC WALL MOUNTED HAND DRYER, GREY COVER

SLO 01S	79012	230 V AC
---------	-------	----------



AUTOMATIC WALL MOUNTED HAND DRYER WITH STAINLESS STEEL BRUSHED COVER

SLO 02E	79024	230 V AC
---------	-------	----------

- revolving chromed air outlet included



MECHANICAL WALL MOUNTED HAND DRYER WITH STAINLESS STEEL BRUSHED COVER AND PUSH BUTTON

SLO 02M	79023	230 V AC
---------	-------	----------

- revolving chromed air outlet included



AUTOMATIC HAND DRYER

SLO 03L	79032	230 V AC, white plastic case
SLO 03C	79031	230 V AC, black plastic case



3M VHB TAPE | INSTALLATION WITHOUT DRILLING, USING 3M VHB (VERY HIGH BOND) DOUBLE-SIDED ADHESIVE TAPE FOR PERFECT FIXATION



IMPREGNATION 3M | INSTALLATION WITHOUT DRILLING, USING 3M VHB DOUBLE-SIDED ADHESIVE TAPE FOR PERFECT FIXATION
 | FOR PRODUCTS WITH HIGHER LOADS, THE USE OF A SPECIAL IMPREGNATION IS RECOMMENDED TO INCREASE THE ADHESION OF 3M VHB TAPE



MOUNTING KIT | INSTALLATION USING MOUNTING KIT

STAINLESS STEEL BATHROOM ACCESSORIES



STAINLESS STEEL HANGER WITH TWO HOOKS

SLZD 01 62010 polished
SLZD 01N 62011 black matt

- dimensions 55 x 55 x 54 mm



STAINLESS STEEL HANGER

SLZD 02 62020 polished
SLZD 02N 62021 black matt

- dimensions 55 x 55 x 54 mm



STAINLESS STEEL HANGER

SLZD 03 62030 polished
SLZD 03N 62031 black matt

- dimensions 55 x 55 x 60 mm



STAINLESS STEEL HANGER WITH TWO HOOKS

SLZD 04 62040 polished
SLZD 04N 62041 black matt

- dimensions 82 x 55 x 55 mm



STAINLESS STEEL HANGER WITH FOUR HOOKS

SLZD 38 62380 polished
SLZD 38N 62381 black matt

- dimensions 340 x 58 x 55 mm



STAINLESS STEEL HANGER WITH SIX HOOKS

SLZD 39 62390 polished
SLZD 39N 62391 black matt

- dimensions 480 x 58 x 55 mm





STAINLESS STEEL TOWEL RING

SLZD 05 62050 polished
SLZD 05N 62051 black matt

- dimensions 194 x 170 x 54 mm



STAINLESS STEEL TOWEL RING

SLZD 06 62060 polished
SLZD 06N 62061 black matt

- dimensions 182 x 170 x 54 mm



STAINLESS STEEL TOWEL BAR

SLZD 07 62070 polished
SLZD 07N 62071 black matt

- dimensions 412 x 77 x 55 mm





STAINLESS STEEL TOWEL BAR

SLZD 08 62080 polished
SLZD 08N 62081 black matt

- dimensions 500 x 77 x 55 mm



STAINLESS STEEL DOUBLE TOWEL RING

SLZD 10 62100 polished
SLZD 10N 62101 black matt

- dimensions 500 x 115 x 55 mm



STAINLESS STEEL DOUBLE TOWEL RING

SLZD 11 62110 polished
SLZD 11N 62111 black matt

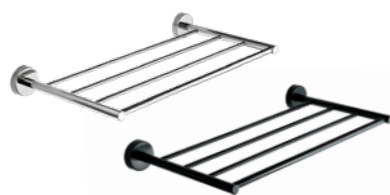
- dimensions 600 x 115 x 55 mm



STAINLESS STEEL TOWEL RACK

SLZD 34 62340 polished
SLZD 34N 62341 black matt

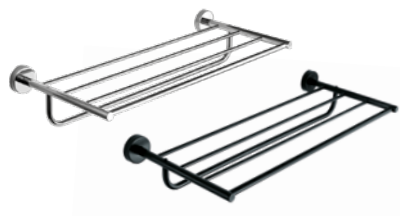
- dimensions 514 x 250 x 55 mm



STAINLESS STEEL TOWEL RACK

SLZD 35 62350 polished
SLZD 35N 62351 black matt

- dimensions 630 x 250 x 55 mm



STAINLESS STEEL TOWEL RACK WITH RAIL

SLZD 36 62360 polished
SLZD 36N 62361 black matt

- dimensions 514 x 250 x 92 mm



STAINLESS STEEL TOWEL RACK WITH RAIL

SLZD 37 62370 polished
SLZD 37N 62371 black matt

- dimensions 630 x 250 x 92 mm





STAINLESS STEEL SOAP HOLDER

SLZD 18 62180 polished
SLZD 18N 62181 black matt

- dimensions 147 x 138 x 55 mm



STAINLESS STEEL SOAP HOLDER

SLZD 19 62190 polished
SLZD 19N 62191 black matt

- dimensions 230 x 147 x 55 mm



STAINLESS STEEL CORNER SHELF

SLZD 25 62250 polished
SLZD 25N 62251 black matt

- dimensions 218 x 218 x 77 mm



STAINLESS STEEL CORNER DOUBLE SHELF

SLZD 26 62260 polished
SLZD 26N 62261 black matt

- dimensions 218 x 218 x 77 mm



STAINLESS STEEL CORNER DOUBLE SHELF

SLZD 28 62280 polished
SLZD 28N 62281 black matt

- dimensions 318 x 218 x 218 mm

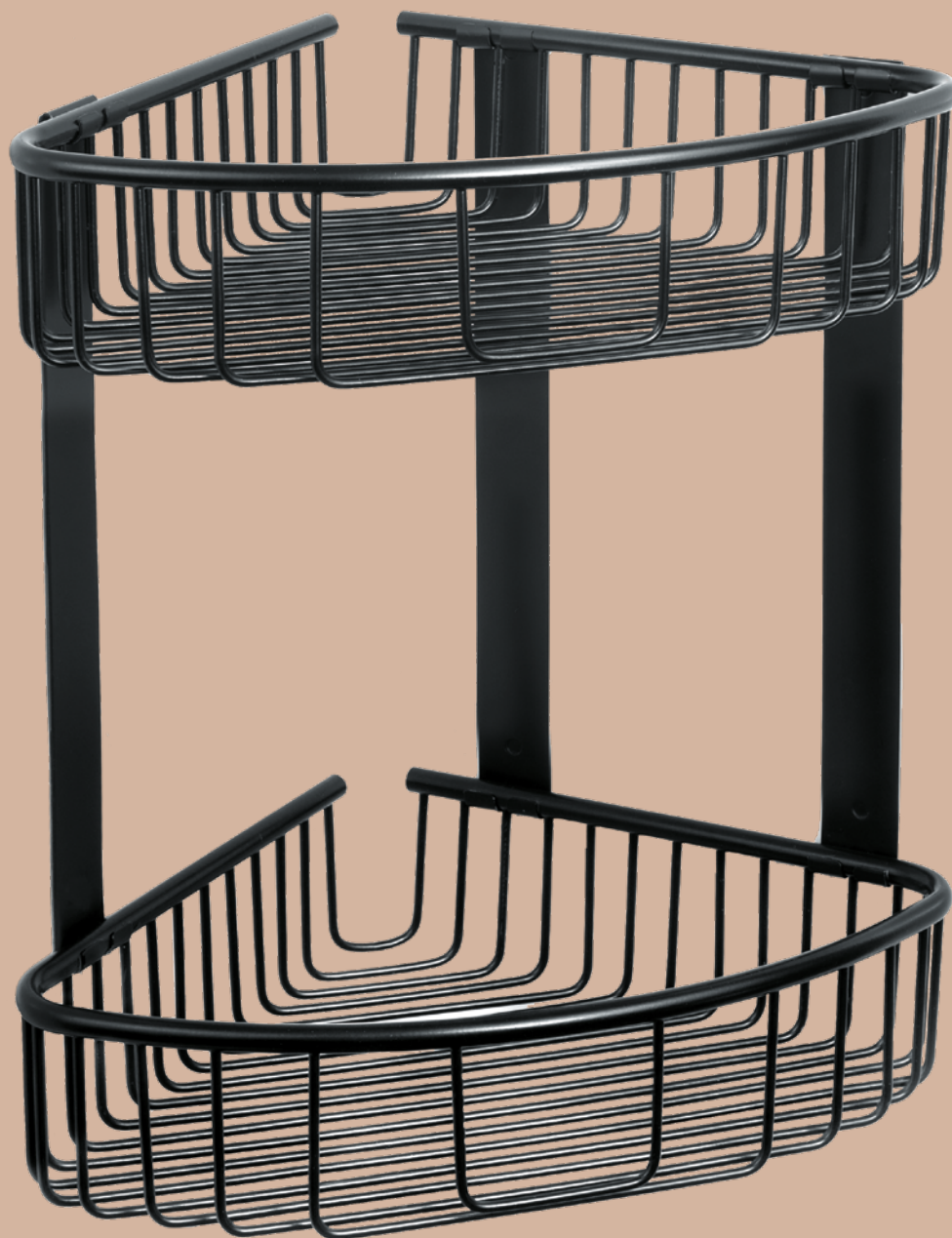


STAINLESS STEEL CORNER DOUBLE SHELF

SLZD 29 62290 polished
SLZD 29N 62291 black matt

- dimensions 283 x 218 x 218 mm





SLZD 28N





STAINLESS STEEL GLASS HOLDER

SLZD 12 62120 polished
SLZD 12N 62121 black matt

- dimensions 119 x 68 x 97 mm



STAINLESS STEEL SOAP HOLDER

SLZD 13 62130 polished
SLZD 13N 62131 black matt

- dimensions 141 x 112 x 55 mm



STAINLESS STEEL GLASS SOAP DISPENSER

SLZD 14 62140 polished
SLZD 14N 62141 black matt

- dimensions 160 x 127 x 71 mm



STAINLESS STEEL DOUBLE GLASS HOLDER

SLZD 15 62150 polished
SLZD 15N 62151 black matt

- dimensions 206 x 100 x 98 mm



STAINLESS STEEL HOLDER FOR GLASS AND SOAP

SLZD 17 62170 polished
SLZD 17N 62171 black matt

- dimensions 229 x 123 x 98 mm



STAINLESS STEEL TOILET BRUSH WITH GLASS - WALL MOUNTED

SLZD 24 62240 polished
SLZD 24N 62241 black matt

- dimensions 350 x 160 x 116 mm





STAINLESS STEEL TOILET ROLL HOLDER

SLZD 20 62200 polished
SLZD 20N 62201 black matt

- dimensions 142 x 79 x 55 mm



STAINLESS STEEL DOUBLE TOILET ROLL HOLDER

SLZD 21 62210 polished
SLZD 21N 62211 black matt

- dimensions 229 x 79 x 55 mm



STAINLESS STEEL HOLDER OF TOILET PAPER

SLZN 09 95090 polished
SLZN 09N 95091 black matt

- dimensions 140 x 120 x 55 mm



STAINLESS STEEL HOLDER OF TOILET PAPER WITH SHELF

SLZD 22 62220 polished
SLZD 22N 62221 black matt

- dimensions 165 x 135 x 90 mm



STAINLESS STEEL TOILET ROLL HOLDER

SLZD 23 62230 polished
SLZD 23N 62231 black matt

- dimensions 139 x 77 x 55 mm



STAINLESS STEEL TOILET BRUSH

SLZD 30 62300 polished
SLZD 30N 62301 black matt

- dimensions 400 x Ø 89 x 89 mm
- floor standing



STAINLESS STEEL TOILET BRUSH

SLZD 31 62310 polished
SLZD 31X 62314 brushed
SLZD 31N 62311 black matt

- dimensions 400 x Ø 96 x 89 mm
- wall mounted





STAINLESS STEEL BATH HANDLE

SLZD 33 62330 polished
SLZD 33N 62331 black matt

- dimensions 353 x 78 x 55 mm



SPECIAL IMPREGNATION TO INCREASE THE ADHESION OF 3M VHB TAPE

SLA 59 06590

STAINLESS STEEL MIRRORS



STAINLESS STEEL MIRROR, INSTALLATION BY GLUING

SLZN 27F 95270 dimensions 500 x 400 x 7 mm
SLZN 30F 95300 dimensions 600 x 400 x 7 mm

- different dimensions could be made to order



STAINLESS STEEL MIRROR, INSTALLATION BY GLUING

SLZN 55F 95550 dimensions 900 x 400 x 7 mm



STAINLESS STEEL MIRROR

SLZN 27 95270 dimensions 500 x 400 x 7 mm
SLZN 30 95300 dimensions 600 x 400 x 7 mm

- different dimensions could be made to order



STAINLESS STEEL FOLDING MIRROR FOR DISABLED PEOPLE

SLZN 52 95520 dimensions 600 x 400 x 75 mm

- possible to tilt the mirror smoothly, possibility of placing the handle on both sides of the mirror



STAINLESS STEEL MIRROR

SLZN 55 95550 dimensions 900 x 400 x 7 mm



STAINLESS STEEL KEG MIRROR

SLZN 82 85821 mirror - high polished finish, frame - brushed finish

STAINLESS STEEL PICTOGRAMS



PICTOGRAM

SLZN 44AA	75445	toilet men
SLZN 44AB	75444	toilet women
SLZN 44AC	75443	toilet for disabled
SLZN 44AD	75442	toilet men and women
SLZN 44B	75441	information
SLZN 44C	85449	telephone
SLZN 44D	85448	snack
SLZN 44E	85447	first aid
SLZN 44F	85446	no smoking
SLZN 44G	85445	cloakroom
SLZN 44H	85444	cleaning room
SLZN 44J	85443	lift
SLZN 44K	85442	waiting room
SLZN 44L	85441	post box
SLZN 44M	95449	stairs
SLZN 44N	95448	no open fire
SLZN 44P	95447	electrical device
SLZN 44R	95446	shower
SLZN 44S	95445	baby changing room
SLZN 44T	95444	toilet
SLZN 44U	95443	fork and knife
SLZN 44V	95442	sauna

- dimensions 120 x 120 mm, brushed finish
- different types of pictograms could be made to order
- 3M self-sealing tape included

DIAPER CHANGER



BABY CHANGING STATION, GREY COLOUR

SLZN 54 95540

- maximum load 22,7 kg
- safety belts, supply bin for a hygienic pads and plastic bags for used diapers
- made from special ABS plastic, whose prevents smell and bacteria spread

SEPARATORS



PLASTER SEPARATOR

SLZN 64 95640



SAND SEPARATOR

SLZN 64N 95648



GRAB BARS FOR DISABLED AND PERSONS WITH LIMITED MOBILITY



GRAB BAR UNIVERSAL, FIXED, LENGTH 385 MM

SLZM 10	49100	stainless steel, polished
SLZM 10X	49101	stainless steel, brushed
SLZM 10W	49102	steel, white



GRAB BAR UNIVERSAL, FIXED, LENGTH 537 MM

SLZM 11	49110	stainless steel, polished
SLZM 11X	49111	stainless steel, brushed
SLZM 11W	49112	steel, white



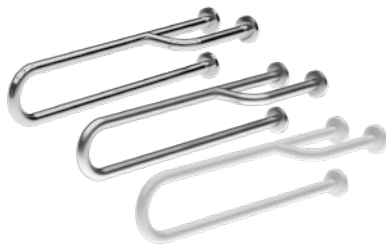
GRAB BAR UNIVERSAL, FIXED, LENGTH 690 MM

SLZM 12	49120	stainless steel, polished
SLZM 12X	49121	stainless steel, brushed
SLZM 12W	49122	steel, white



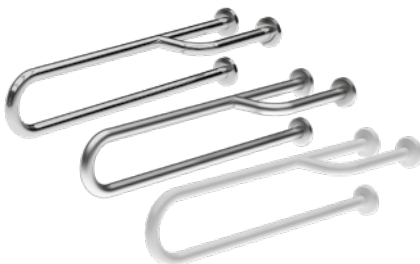
GRAB BAR, FIXED, LENGTH 600 MM

SLZM 13	49130	stainless steel, polished
SLZM 13X	49131	stainless steel, brushed
SLZM 13W	49132	steel, white



GRAB BAR, FIXED, LENGTH 800 MM

SLZM 14	49140	stainless steel, polished
SLZM 14X	49141	stainless steel, brushed
SLZM 14W	49142	steel, white



GRAB BAR, FIXED, LENGTH 900 MM

SLZM 20	49200	stainless steel, polished
SLZM 20X	49201	stainless steel, brushed
SLZM 20W	49202	steel, white



GRAB BAR, FOLDING, LENGTH 600 MM

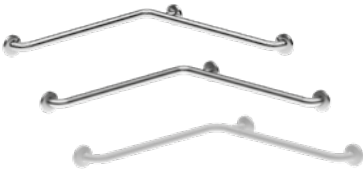
SLZM 15	49150	stainless steel, polished
SLZM 15X	49151	stainless steel, brushed
SLZM 15W	49152	steel, white





GRAB BAR, FOLDING, LENGTH 800 MM

SLZM 16	49160	stainless steel, polished
SLZM 16X	49161	stainless steel, brushed
SLZM 16W	49162	steel, white



CORNER GRAB BAR, FIXED, DIMENSIONS 760 X 760 MM

SLZM 17	49170	stainless steel, polished
SLZM 17X	49171	stainless steel, brushed
SLZM 17W	49172	steel, white



BATH GRAB BAR FIXED, RIGHT, DIMENSIONS 350 X 660 MM

SLZM 18	49180	stainless steel, polished
SLZM 18X	49181	stainless steel, brushed
SLZM 18W	49182	steel, white



BATH GRAB BAR FIXED, LEFT, DIMENSIONS 350 X 660 MM

SLZM 19	49190	stainless steel, polished
SLZM 19X	49191	stainless steel, brushed
SLZM 19W	49192	steel, white



BATH GRAB BAR FIXED, DIMENSIONS 470 X 190 X 73 MM, 135°

SLZM 21	49210	stainless steel, polished
SLZM 21X	49211	stainless steel, brushed
SLZM 21W	49212	steel, white



BACK SUPPORT, DIMENSIONS 700 MM

SLZM 22	49220	stainless steel, polished
SLZM 22X	49221	stainless steel, brushed
SLZM 22W	49222	steel, white



VINYL GRAB BARS FOR DISABLED AND PERSONS WITH LIMITED MOBILITY



VINYL GRAB BAR UNIVERSAL, FIXED, LENGTH 385 MM

SLZM 10VIN 49103



VINYL GRAB BAR UNIVERSAL, FIXED, LENGTH 537 MM

SLZM 11VIN 49113



VINYL GRAB BAR UNIVERSAL, FIXED, LENGTH 690 MM

SLZM 12VIN 49123



VINYL GRAB BAR, FIXED, LENGTH 600 MM

SLZM 13VIN 49133



VINYL GRAB BAR, FIXED, LENGTH 800 MM

SLZM 14VIN 49143



VINYL GRAB BAR, FIXED, LENGTH 900 MM

SLZM 20VIN 49203



VINYL GRAB BAR, FOLDING, LENGTH 600 MM

SLZM 15VIN 49153



VINYL GRAB BAR, FOLDING, LENGTH 800 MM

SLZM 16VIN 49163





VINYL CORNER GRAB BAR, FIXED, DIMENSIONS 760 X 760 MM

SLZM 17VIN 49173



VINYL BATH GRAB BAR FIXED, RIGHT, DIMENSIONS 350 X 660 MM

SLZM 18VIN 49183



VINYL BATH GRAB BAR FIXED, LEFT, DIMENSIONS 350 X 660 MM

SLZM 19VIN 49193



VINYL BATH GRAB BAR FIXED, DIMENSIONS 552 X 275 X 100 MM, 135°

SLZM 21VIN 49213



Other color versions:



WHITE



BLACK



LIGHT GREY



DARK GREY



BISCUIT



BLUE



DARK RED



YELLOW



SHOWER SEATS AND SHOWER STOOL



STAINLESS STEEL FOLDING SHOWER CHAIR

SLZM 06 49060 dimensions 460 x 462 mm, max. load 150 kg, brushed



STAINLESS STEEL/HPL SHOWER SEAT, WALL HUNG, FOLDING

SLZM 06N 49061 dimensions 560 x 395 mm, max. load 272 kg,
brushed stainless steel, seat white, material HPL



VINYL SHOWER SEAT, WALL HUNG, FOLDING

SLZM 06VIN 49062 dimensions 334 x 331 mm, max. load 150 kg



VINYL SHOWER STOOL

SLZM 30VIN 49300 dimensions 380 x 385 x 430 mm, max. load 150 kg



POWER SUPPLY UNITS



EXTERNAL POWER SUPPLY 230V AC / 24V DC

SLZ 01Y 05012



EXTERNAL POWER SUPPLY 230V AC / 24V DC

SLZ 01Z 05011



EXTERNAL POWER SUPPLY 230 V AC / 24 V DC

SLZ 04Y 05042

SLZ 04Z 05041

SLZ 04X 10049



POWER SUPPLY FOR BATTERY OPERATED PRODUCTS (ALTERNATIVE TO 9V / 6V BATTERY)

SLZ 05 05050



EXTERNAL POWER SUPPLY FOR 1 WASHBASIN TAP WITH ONE VALVE 230V AC / 24V DC

SLZ 06 05060



WALL SOCKET EXTERNAL POWER SUPPLY

SLZ 07 05070 230 V AC/24 V DC
SLZ 08 05080 for battery operated products 230 V AC/12 V

SHOWER HEADS



VANDAL-PROOF SHOWER HEAD

SLA 03 06030
- water inlet 1/2"
- rate of flow 9 l/min (0,05 - 0,9 MPa)



VANDAL-PROOF SHOWER HEAD, ADJUSTABLE ANGLE OF WATER FLOW

SLA 13 06130
- water inlet 1/2"
- rate of flow 6 l or 12 l/min (0,1 MPa)
- "Anti-suicidal" system



VANDAL-PROOF SHOWER HEAD

SLA 14 06140
- water inlet 1/2"
- rate of flow 6 l or 12 l/min (0,1 MPa)
- "Anti-suicidal" system



VANDAL-PROOF SHOWER HEAD

SLA 39 06390
- water inlet 1/2"
- rate of flow 9 l/min. (0,05 - 0,9 MPa)



VANDAL-PROOF SHOWER HEAD, ADJUSTABLE ANGLE OF WATER FLOW

SLA 40 06400
- water inlet 1/2"
- rate of flow 9 l/min. (0,05 - 0,9 MPa)



MOUNTING FRAMES



SLR 03A

SLR 03

MOUNTING FRAME FOR WALL HUNG TOILET (SLW 01NK, SLW 01P, SLW 01PA, SLW 03PA, SLP 05)

SLR 03	08030	destined for the brick wall
SLR 03A	08032	destined for drywall profiles installation



MOUNTING FRAME FOR INSTALLATION OF THE MOUNTING BOX

SLR 07 08070

- mounting frame for installation of Sanela mounting boxes, for ex. SLP 02K, SLS 01AK, SLW 01NK etc.



MOUNTING FRAME FOR URINALS WITH MOUNTING BOX

SLR 08 08080

- with a sensor placed above the urinal (SLP 02, SLP 06)
- with a radar flush system with a mounting box behind the urinal



MOUNTING FRAME FOR URINALS AND WASHBASINS

SLR 09 08090

- for urinals with the radar flush system without a mounting box behind the urinal
- for ceramic urinals with built-in flush or for stainless steel washbasins



MOUNTING FRAME FOR STAINLESS STEEL URINALS AND WASHBASINS

SLR 10 08100

- for stainless steel urinals with built-in flush or stainless steel washbasins



MOUNTING FRAME WITH CONCEALED TANK FOR WALL HUNG AND FLOOR STANDING TOILETS, AND FOR TOILET FLUSHING UNIT (MECHANICAL, INFRA-RED AND ELECTRONIC TOUCH)

SLR 21	08210	destined for the brick wall
SLR 21A	08212	destined for drywall profiles installation



MOUNTING FRAME TO THE PLASTERBOARD FOR CERAMIC OR STAINLESS STEEL URINAL (SLPN 07, SLPN 09) AND FLUSHING UNIT INSTALLED ABOVE THE URINAL (SLP 02, SLP 06)

SLR 22 08220



MOUNTING FRAME TO THE PLASTERBOARD FOR WASHBASIN

SLR 23 08230



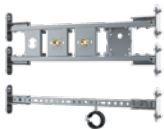
MOUNTING FRAME FOR AUTOMATIC WALL-MOUNTED WASHBASIN TAP (SLU 42KB, SLU 43B, SLU 43KB) AND AUTOMATIC SOAP DISPENSER SLZN 83E

SLR 24 08240



MOUNTING FRAME FOR INSTALLATION OF GRAB BARS, FOR MOUNTING TO THE FLOOR AND TO THE BACK WALL

SLR 25 08250



MOUNTING FRAME DESTINED FOR PLASTERBOARD CONSTRUCTIONS, USED FOR FIXING AUTOMATIC SOAP DISPENSER SLZN 83E AND AUTOMATIC WALL-MOUNTED WASHBASIN TAP (SLU 42KB, SLU 43B, SLU 43KB)

SLR 26 08260

ACCESSORIES



URINAL INLET FITTING

SLA 02 06020 Inlet fitting with a rubber sleeve



PLASTIC CONNECTION BETWEEN THE FLUSHING AND THE TOILET

SLA 04 06040 connection pipe with an inlet rubber sleeve



PLASTIC SIPHON 5/4"

SLA 08 06080

- for SLP 17



LITHIUM BATTERY 9V/1200 MAH, TYPE U9VL

SLA 09 06090



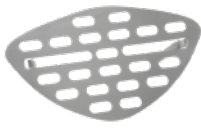
STAINLESS STEEL SIEVE FOR URINAL NOVA PRO FELIX

SLA 10 06100



PLASTIC URINAL SCREEN

SLA 11 06110 orange colour - mango scent
SLA 11A 06111 red colour - kiwi and grapefruit scent
SLA 11B 06112 transparent colour - honeysuckle scent
SLA 11C 06113 blue colour - cotton bloom scent



STAINLESS STEEL SIEVE FOR URINAL LIVO

SLA 20 06200



STAINLESS STEEL SIEVE FOR URINAL GOLEM

SLA 26 06260



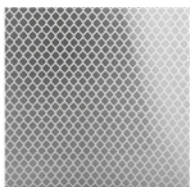
SET FOR SLWN 07

SLA 27 06270



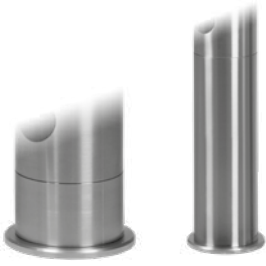
ALKALINE BATTERY 9 V/550 MAH, TYPE 6F22

SLA 29 06290



REFLECTIVE FOIL FOR SLP 05K AND SLP 05N

SLA 30 06300



UNIVERSAL STAINLESS STEEL TAP BODY ELONGATION FOR SLU 91X, SLU 92X, SLU 93X

SLA 32	06320	30 mm
SLA 33	06330	150 mm

UNIVERSAL STAINLESS STEEL ELONGATION FOR SLZN 91E

SLA 92	06920	30 mm
SLA 93	06930	150 mm



SET OF 4 PCS. OF ALKALINE BATTERIES AA, 1,5V, 2700 MAH

SLA 36	06360
--------	-------



DESIGN STAINLESS STEEL SIPHON, BRUSHED

SLZN 35	95350
---------	-------

- sleeve nut G 5/4" included
- without waste valve
- outlet Ø 32 mm



CLEANER FOR STAINLESS STEEL PRODUCTS

SLA 37	06370
--------	-------



SET OF PARTS FOR MOUNTING THROUGH THE WALL

SLA 52A	06520	for SLU 39, SLU 39X
SLA 52B	06521	for SLU 39PX



SUCTION CUP FOR DISASSEMBLY OF GLASS PANELS

SLA 54	06540
--------	-------



THERMOSTATIC VALVE NUT SPANNER

SLA 64	06640
--------	-------



EMERGENCY SIGNALLING KIT, CALL FOR HELP

SLA 65	06650
--------	-------



STAINLESS STEEL INSTALLATION BOX FOR SLT 131S AND SLT 153P

SLA 66	06660
--------	-------



SLD 03 SLD 04 SLD 05



SLD 07 SLD 10

UNIVERSAL REMOTE CONTROL FOR AN ADJUSTMENT OF PARAMETERS

SLD 03	07030	of infra-red sensors
SLD 04	07040	of radar flushing units and piezo controls
SLD 05	07050	of coin and token machines
SLD 07	07070	SLUN 70
SLD 10	07012	the colour and intensity of the backlight



ANGLE VALVE, 1/2 X 3/4, WITH CERAMIC CARTRIDGE

SLR 53	08530
--------	-------



ANGLE VALVE, 1/2X3/8"

SLR 54	08540
--------	-------



THERMOSTATIC MIXING VALVE 3/4 (28 L/MIN. BY THE PRESSURE 0,1 MPA)

SLT 04	09040
--------	-------



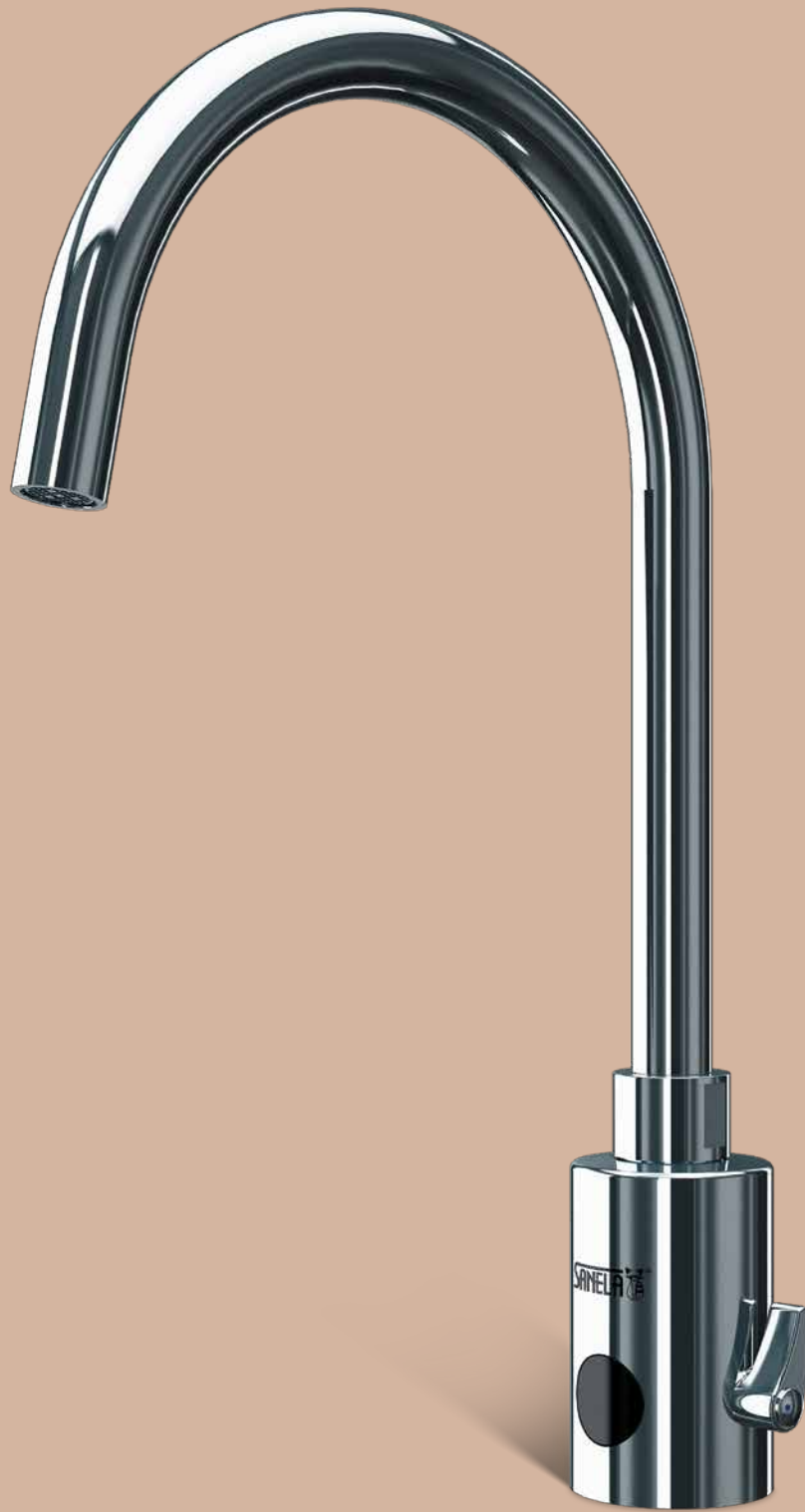
THERMOSTATIC MIXING VALVE 1/2" (42 L/MIN. PŘI TLAKU 0,1 MPA)

SLT 05	09050
--------	-------



THERMOSTATIC MIXING VALVE

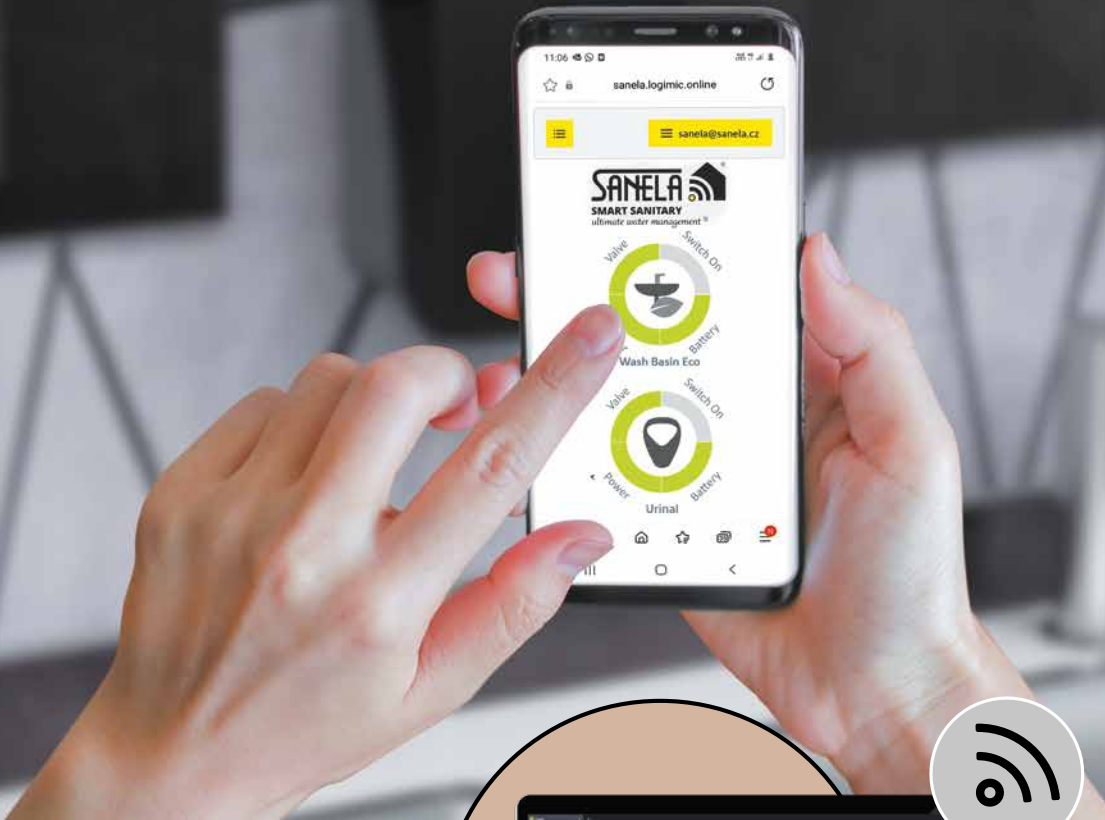
SLT 07	09070	3/4" (26 l/min by the pressure 0,1 MPa)
SLT 08	09080	1" (36 l/min by the pressure 0,1 MPa)
SLT 09	09090	5/4" (56 l/min by the pressure 0,1 MPa)
SLT 10	09100	6/4" (155 l/min by the pressure 0,1 MPa)



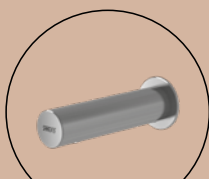
SLU 08LND

SMART SANITARY SYSTEM

INTELLIGENT WATER AND ENERGY MANAGEMENT SYSTEM



AUTOMATIC WASHBASIN TAPS



INFRA-RED WALL-MOUNTED WASHBASIN TAPS



RADAR FLUSHING UNITS



AUTOMATIC TOILET FLUSHING UNITS



AUTOMATIC SOAP AND DISINFECTANT DISPENSER



AUTOMATIC SHOWER CONTROLS AND URINAL FLUSHING UNITS

PRODUCTS

APPLICATIONS



SHOPPING CENTRE



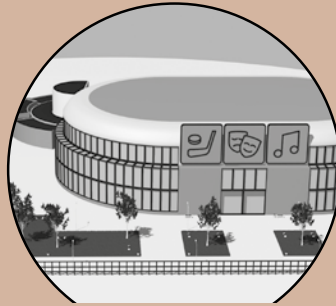
OFFICE BUILDING



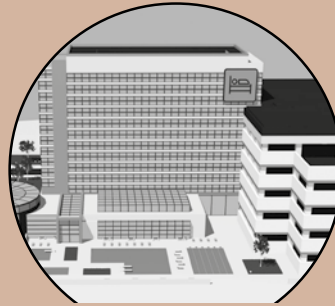
HOSPITAL



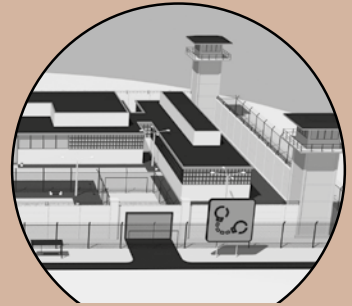
SCHOOL



CULTURAL AND SPORTS CENTRE



HOTEL



PRISON



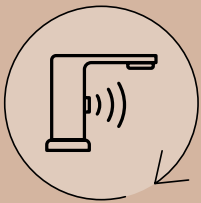
SAFE



GLOBAL



CLOUD



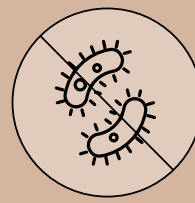
MODERNISATION OF THE FACILITIES



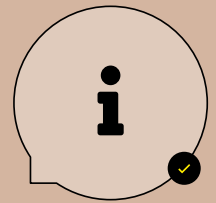
PERSONNEL EFFICIENCY



FINANCIAL SAVINGS



LEGIONELLA PREVENTION



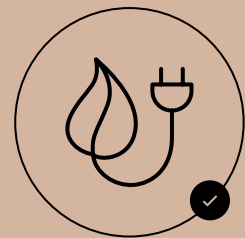
DETAILED STATISTIC



ECO SYSTEM



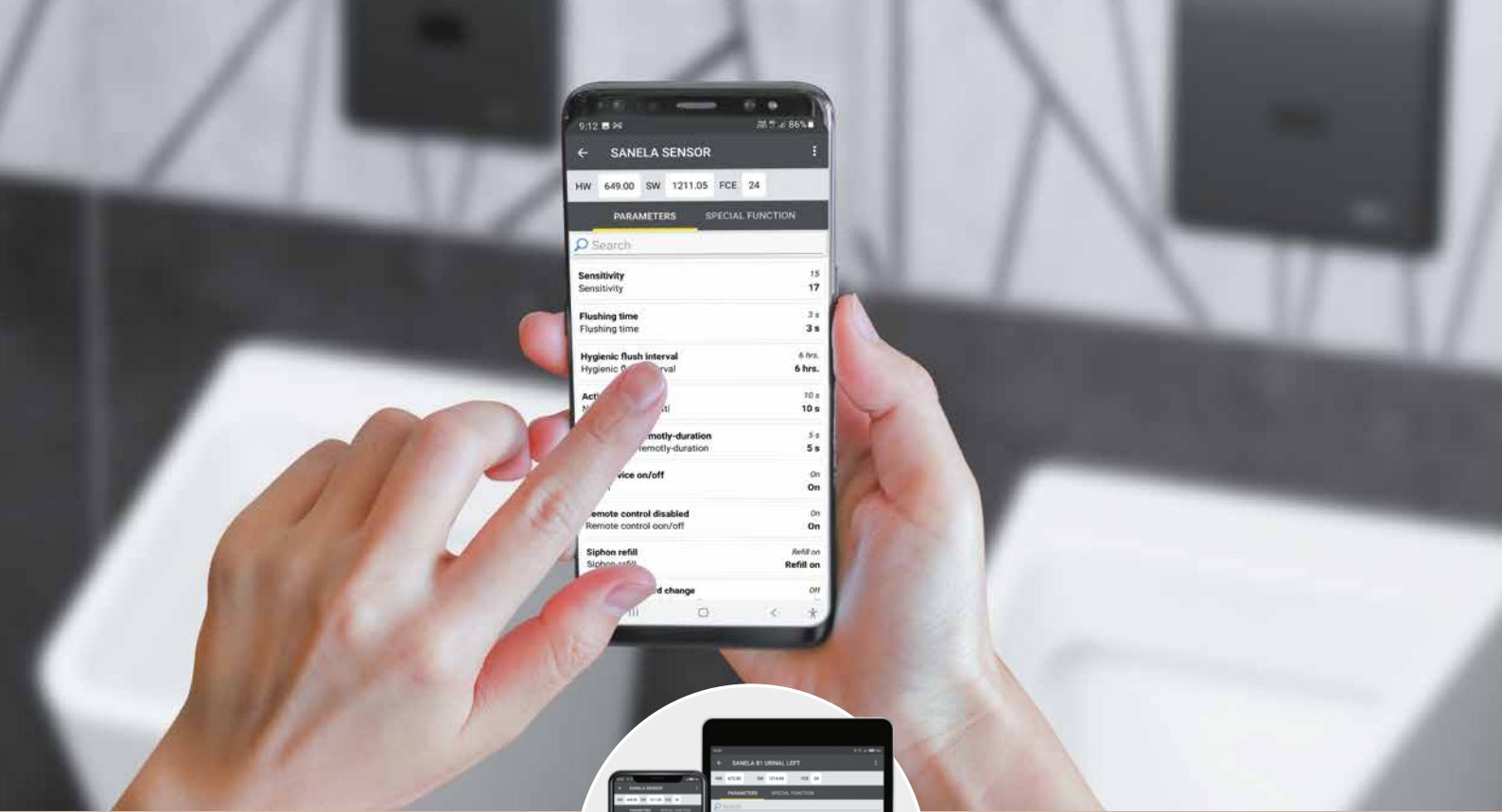
WATER SAVINGS



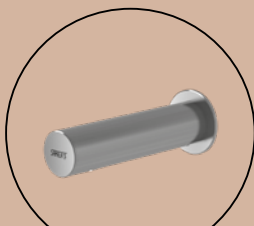
ENERGY SAVINGS

BENEFITS

BLUETOOTH SYSTEM



AUTOMATIC WASHBASIN TAPS



INFRA-RED WALL-MOUNTED WASHBASIN TAPS



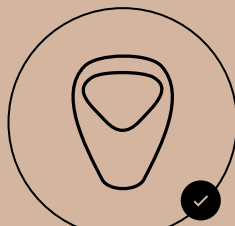
RADAR FLUSHING UNITS



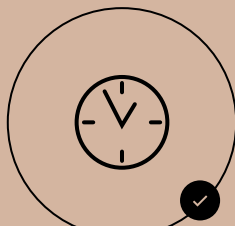
AUTOMATIC TOILET FLUSHING UNITS



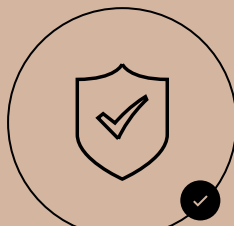
AUTOMATIC SHOWER CONTROLS AND URINAL FLUSHING UNITS



EASY ACCESS



TIME SAVING



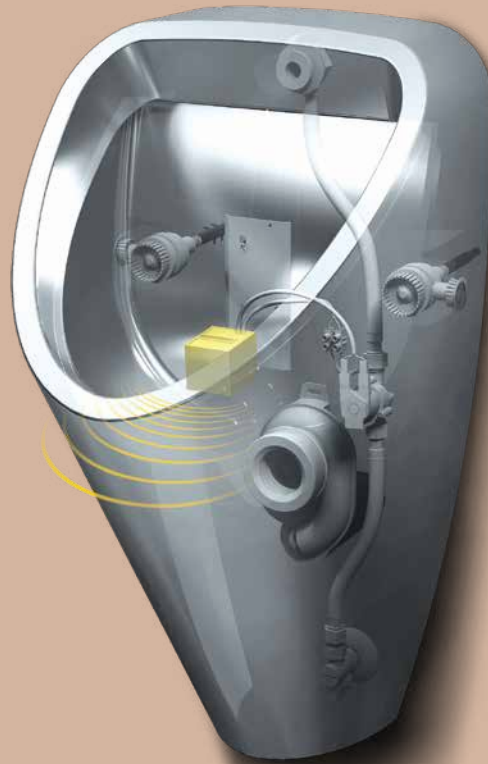
DEVICE PROTECTION



SANELA Control Application
AVAILABLE FOR DOWNLOAD AT:



AUTOMATIC URINAL FLUSHING UNITS



PARAMETER SETTING AND COMMUNICATION WITH THE ELECTRONICS VIA THE SANELA CONTROL APP (BLUETOOTH)
WITHOUT DISMANTLING THE URINAL



ADJUSTMENT OF PARAMETERS BY REMOTE CONTROL
PARAMETERS ARE POSSIBLE TO ADJUST WITHOUT DISASSEMBLY OF THE URINAL



AUTOMATIC FLUSHING AFTER EACH USE OF THE URINAL
SYSTEM ANALYSES CHANGES, WHICH ARE PROCEEDED INSIDE OF THE URINAL



HYGIENIC FLUSH
AUTOMATIC FLUSHING AFTER EACH 6 HOURS NON-USE



ECONOMY FLUSHING BY 1 LITER OF WATER



PROTECTION AGAINST OVERFLOW



VANDAL-PROOF
PRODUCT MEETS THE REQUIREMENTS OF HIGH RESISTANCE TO MECHANICAL DAMAGES AND WEARS



EASY INSTALLATION



CLEAN DESIGN
WHOLE SYSTEM IS PLACED BEHIND THE URINAL



LONG LIFE
UP TO THREE LIFE OF THE STANDARD PRODUCTS



5 YEARS GUARANTEE



MADE IN EUROPE

Power supplies:

SLZ 01Z	- Supply No. 05011	external power supply 230 V AC/ 24 V DC
SLZ 01Y	- Supply No. 05012	external power supply 230 V AC/ 24 V DC
SLZ 04Y	- Supply No. 05042	external power supply, 85-240 V AC/24 V DC for mounting on DIN rail in switchboard
SLZ 04Z	- Supply No. 05041	external power supply, 85-240 V AC/24 V DC for mounting on DIN rail in switchboard
SLZ 04X	- Supply No. 10049	external power supply, 85-240 V AC/24 V DC for mounting on DIN rail in switchboard
SLZ 05	- Supply No. 05050	power supply for battery operated products (alternative to 9V / 6V battery)
SLZ 06	- Supply No. 05060	external power supply for 1 washbasin tap with one valve, 230 V AC/24 V DC
SLZ 07	- Supply No. 05070	external power supply 230 V AC/24 V DC for wall socket
SLZ 08	- Supply No. 05080	wall socket external power supply 230 V AC/6 V wall socket external power supply

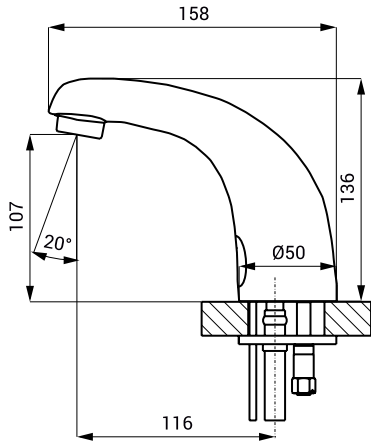
Installation recommendations:

- installation of the electrical set has to conform with the provided norms and it could be done only by the skilled person
- power supplies SLZ 01Y, SLZ 01Z, SLZ 06 is possible to mount on the surface, eventually it could be embedded to the wall outside of users reach (e. g. ceiling, vestibule)
- for the operating voltage supply is recommended to use line wire CYKY 2C x 1,5, for the 24 V DC output voltage distribution wire line CYKY 2A x 1,5 (max. 40 m)
- the output from the built-in power supply is made up of a twin-lead connection that connects to the electricity terminals, 230 V/50 Hz, supply cable is fed into the mounting box via a grommet
- after the control of right function of the product with integrated power supply (with index Z) it is necessary the cover with electronics tightly seal around the perimeter by a sanitary sealant that the water cannot penetrate into space where is placed the network transformer

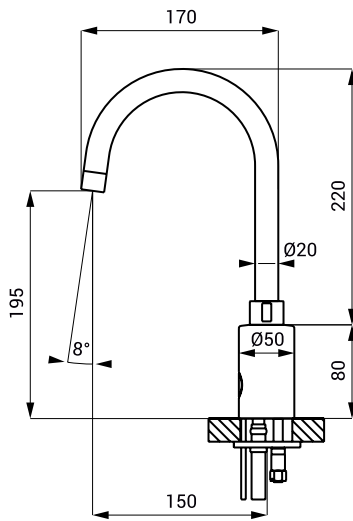
Article No.	Automatic washbasin taps and shower controls	Automatic urinal flushing unit	Automatic pressure toilet flushing units SLW 01xx	Automatic cistern toilet flushing unit SLW 02xx	Dimensions (mm)
SLZ 01Y	max. 5 valves	max. 5 valves	max. 5 valves	2 x servo-motor	140 x 100 x 60
SLZ 01Z	max. 9 valves	max. 9 valves	max. 9 valves	4 x servo-motor	170 x 130 x 80
SLZ 04Y	max. 5 valves	max. 5 valves	max. 5 valves	2 x servo-motor	90 x 58,4 x 35
SLZ 04Z	max. 9 valves	max. 9 valves	max. 9 valves	4 x servo-motor	90 x 58,4 x 52,5
SLZ 04X	max. 15 valves	max. 15 valves	max. 15 valves	7 x servo-motor	90 x 58,4 x 70
SLZ 06	max. 1 valve	max. 1 valve	max. 1 valve	–	90 x 65 x 45
SLZ 07	max. 2 valves	max. 2 valves	max. 2 valves	1 x servo-motor	75 x 34 x 43
SLZ 08	max. 1 valve	max. 1 valve	–	–	61 x 28 x 22

AUTOMATIC INFRA-RED AND PIEZO WASHBASIN TAPS

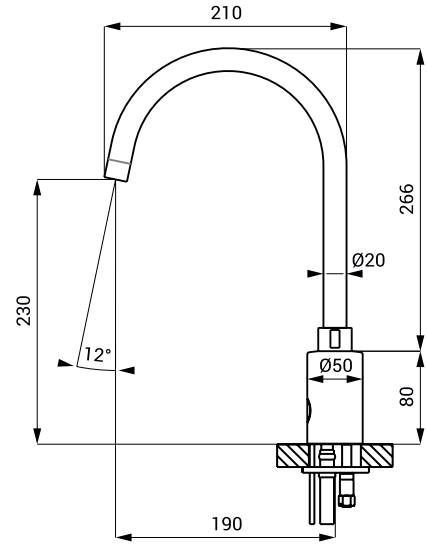
SLU 01N, 01NH, 02N, 02NH



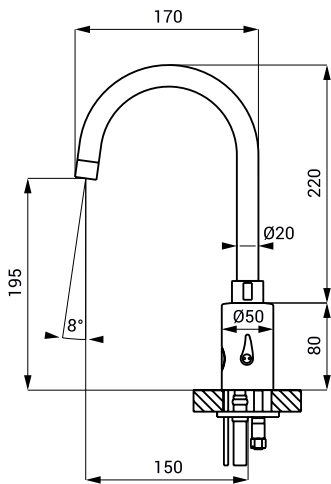
SLU 08L



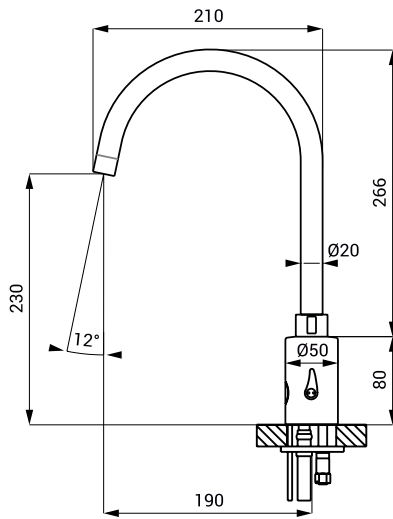
SLU 08LD



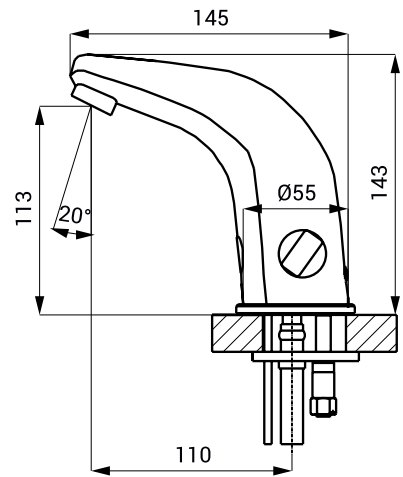
SLU 08LN



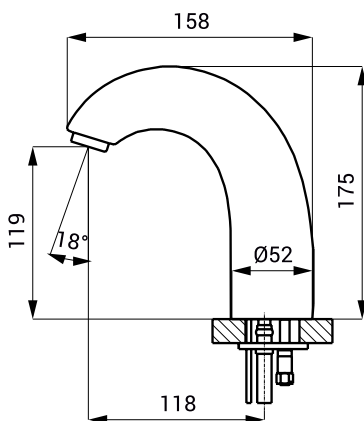
SLU 08LND



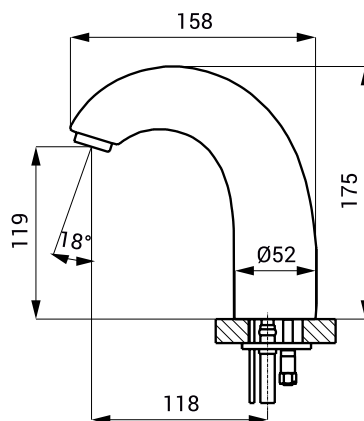
SLU 15



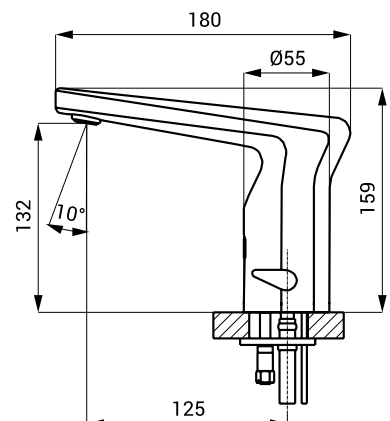
SLU 34



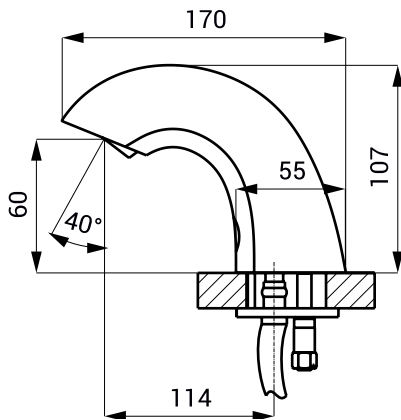
SLU 35



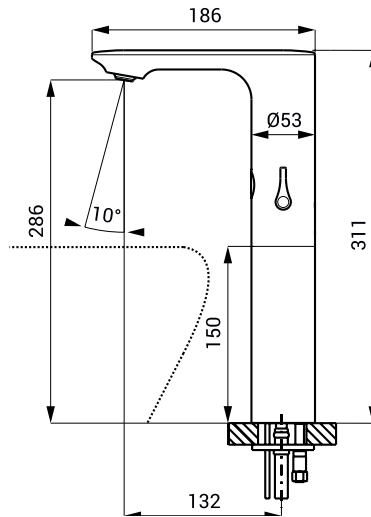
SLU 37



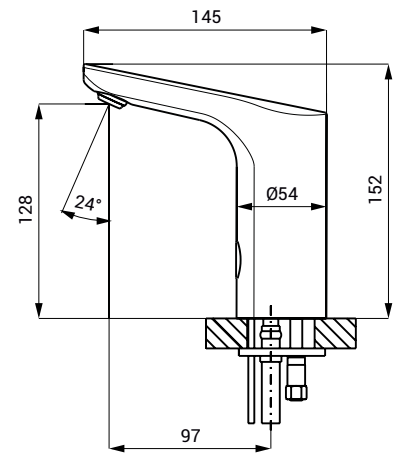
SLU 45, 46



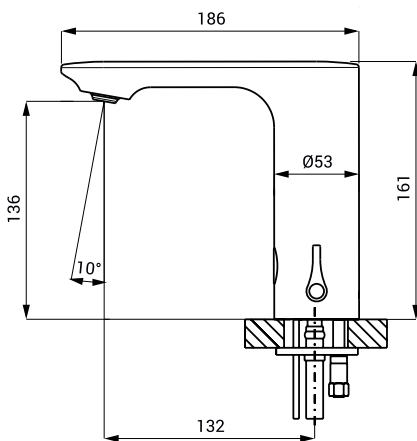
SLU 60, 60V



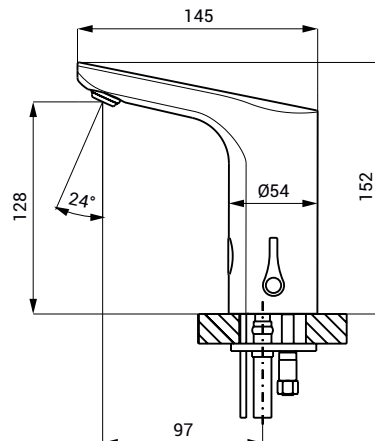
SLU 56... / 57...



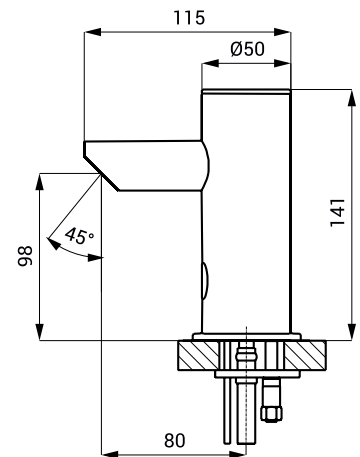
SLU 63, 63V



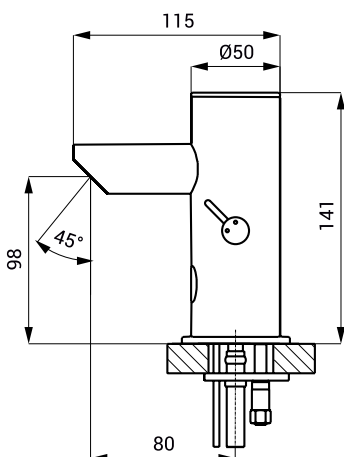
SLU 76N



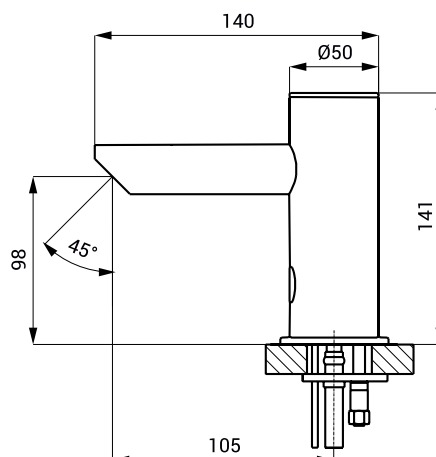
SLU 91N, 93N



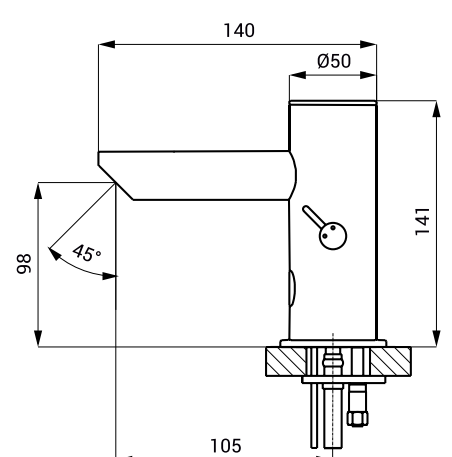
SLU 92N



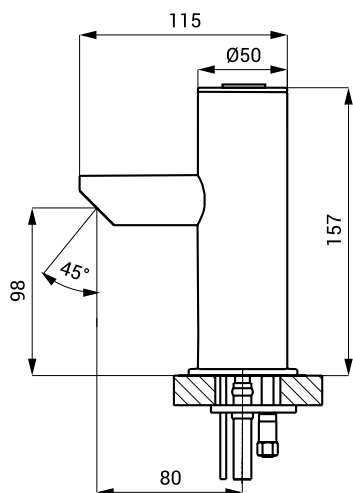
SLU 91ND, 93ND



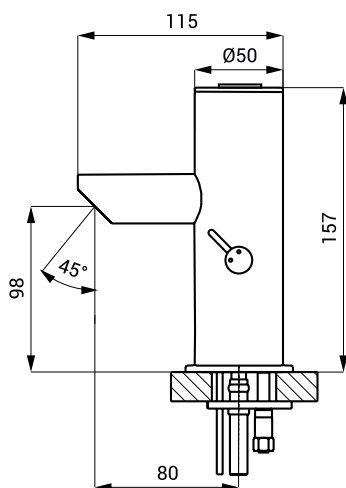
SLU 92ND



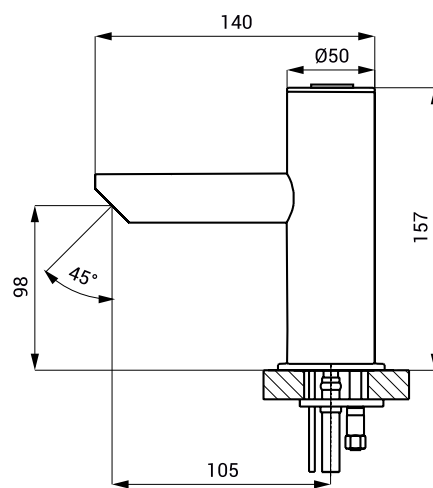
SLU 91NP, 93NP



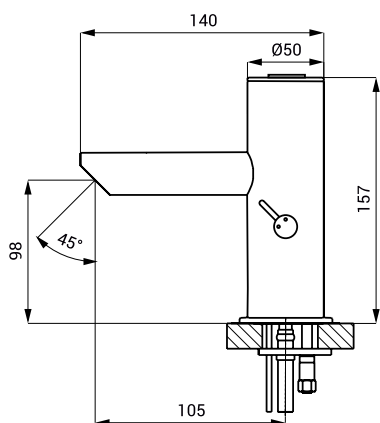
SLU 92NP



SLU 91NPD, 93NPD

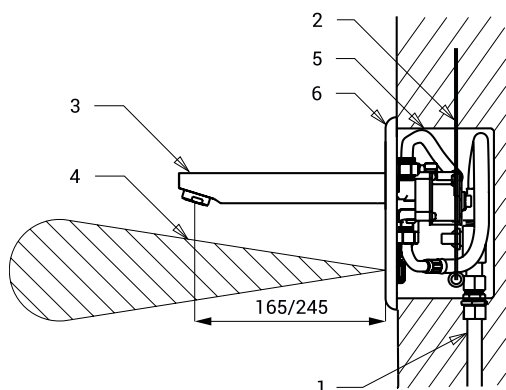


SLU 92NPD



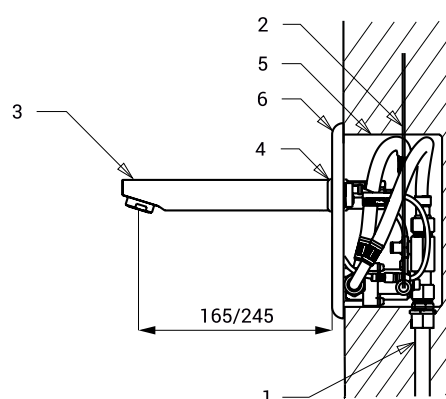
AUTOMATIC INFRA-RED AND PIEZO WALL-MOUNTED WASHBASIN TAPS

SLU 04H



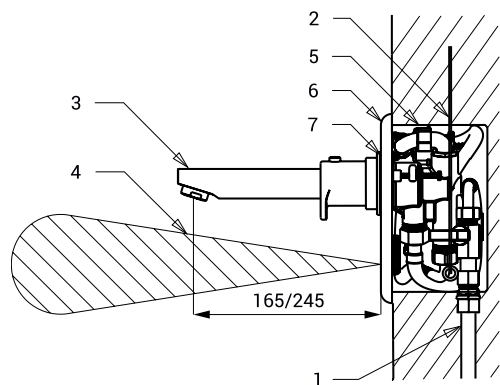
- 1 - water supply
- 2 - feed cable from power supply
- 3 - spout
- 4 - active range
- 5 - mounting box
- 6 - stainless steel cover with electronics

SLU 04P



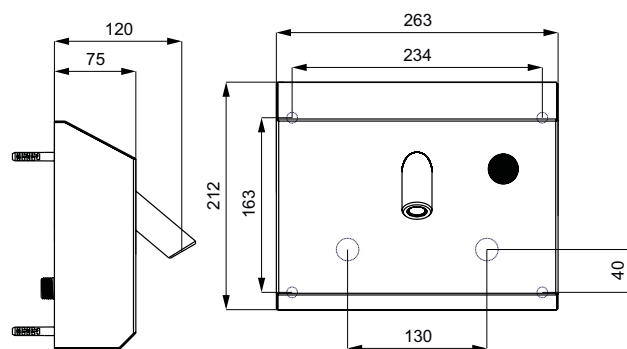
- 1 - water supply
- 2 - feed cable from power supply
- 3 - spout
- 4 - piezo button
- 5 - mounting box
- 6 - stainless steel cover with electronics

SLU 04HT

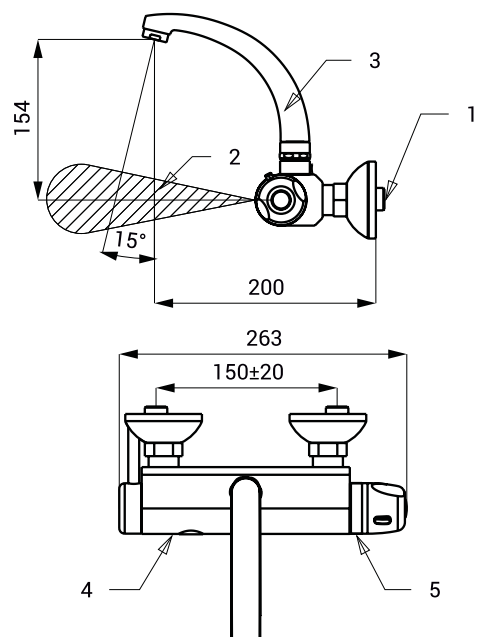


- 1 - water supply
- 2 - feed cable from power supply
- 3 - spout
- 4 - active range
- 5 - mounting box
- 6 - stainless steel cover with electronics
- 7 - thermostatic mixer

SLU 09PTB

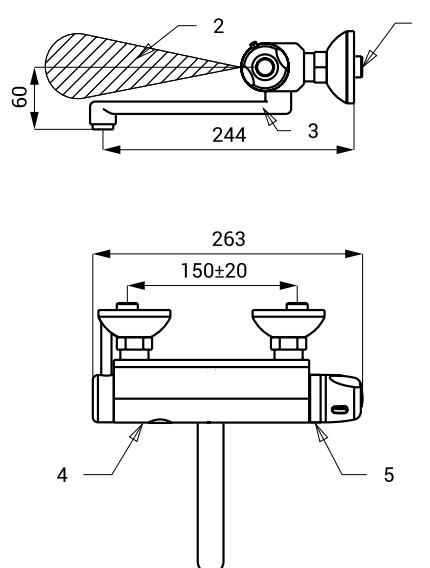


SLU 25



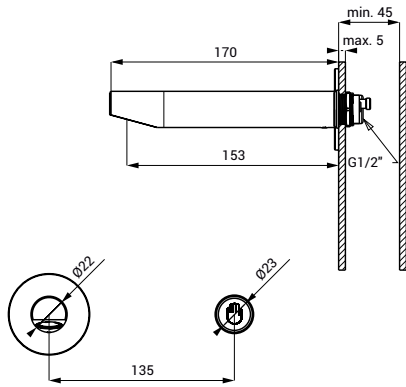
- 1 - water supply
- 2 - active range
- 3 - swivel spout
- 4 - chrome plated body
- 5 - thermostat

SLU 25S



- 1 - water supply
- 2 - active range
- 3 - swivel spout
- 4 - chrome plated body
- 5 - thermostat

SLU 39PX



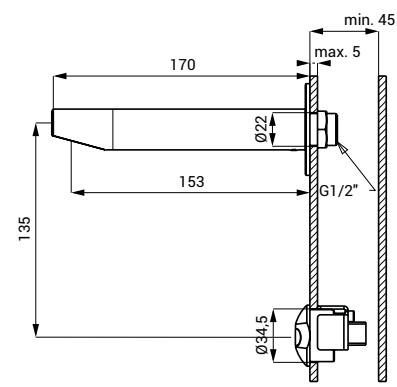
Set for the mounting into the wall



SLA 52B

max. 300 mm

SLU 39, 39X



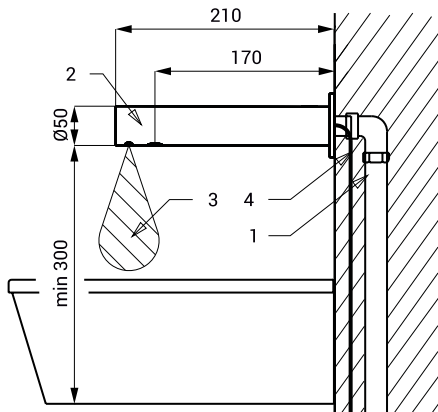
Set for the mounting into the wall



SLA 52A

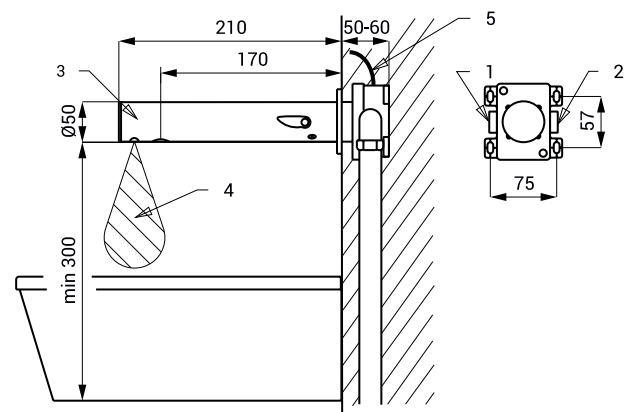
max. 300 mm

SLU 43, 43B, 43V, 43VB, 43KB



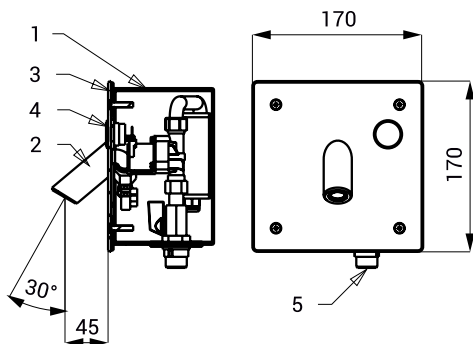
- 1 - water supply
- 2 - spout
- 3 - active range
- 4 - feed cable from the power supply (SLU 43, SLU 43V)

SLU 42K, 42KB



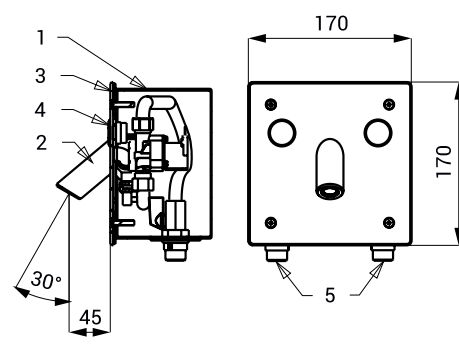
- 1 - inlet of hot water
- 2 - inlet of cold water
- 3 - faucet with electronics
- 4 - active range
- 5 - feed cable from the power supply

SLU 44P



- 1 - stainless steel mounting box with electromagnetic valve and ball valve
- 2 - spout
- 3 - vandal-proof stainless steel cover
- 4 - piezo button
- 5 - water inlet

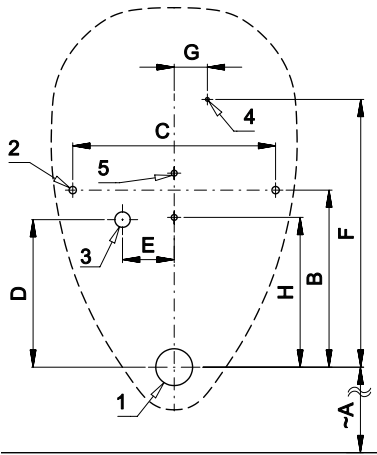
SLU 44PP



- 1 - stainless steel mounting box with electromagnetic valve and ball valves
- 2 - spout
- 3 - vandal-proof stainless steel cover
- 4 - piezo button
- 5 - water inlets

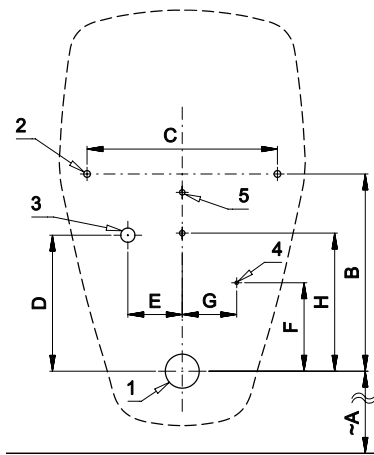
AUTOMATIC INFRA-RED AND RADAR FLUSHING UNITS

SLP 07 NOVA PRO FELIX



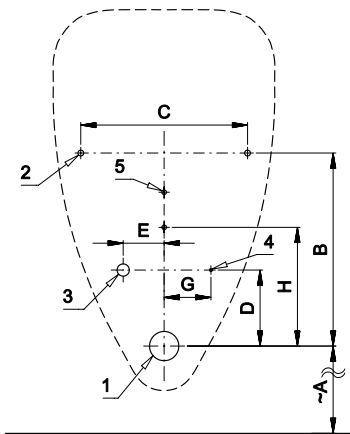
- 1 - waste pipeline Ø 50 mm
- 2 - holes for fitting
- 3 - water supply
- 4 - power supply
- 5 - holes for wall plugs

SLP 07 RENOVA NR. 1



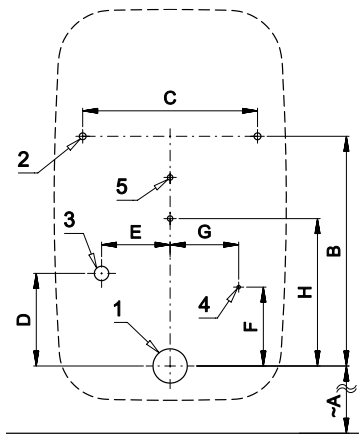
- 1 - waste pipeline Ø 50 mm
- 2 - holes for fitting
- 3 - water supply
- 4 - power supply
- 5 - holes for wall plugs

SLP 07 NOVA PRO ALEX



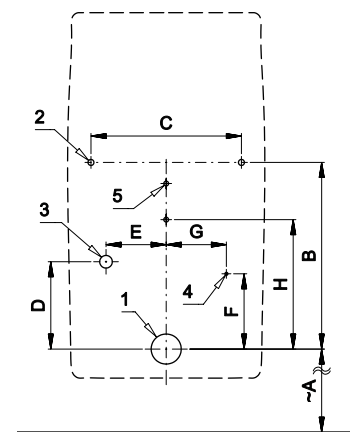
- 1 - waste pipeline Ø 50 mm
- 2 - holes for fitting
- 3 - water supply
- 4 - power supply
- 5 - holes for wall plugs

SLP 07 NOVA PRO



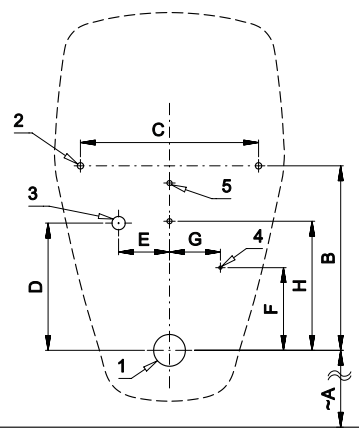
- 1 - waste pipeline Ø 50 mm
- 2 - holes for fitting
- 3 - water supply
- 4 - power supply
- 5 - holes for wall plugs

SLP 07 RENOVA NR. 1 PLAN



- 1 - waste pipeline Ø 50 mm
- 2 - holes for fitting
- 3 - water supply
- 4 - power supply
- 5 - holes for wall plugs

SLP 07 SELNOVA

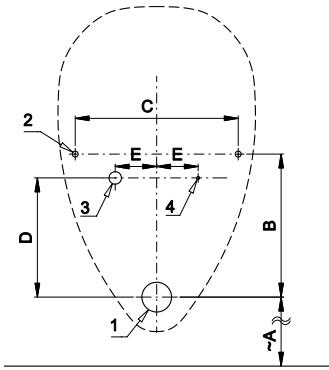


- 1 - waste pipeline Ø 50 mm
- 2 - holes for fitting
- 3 - water supply
- 4 - power supply
- 5 - holes for wall plugs

Dimensions (mm)	A	B	C	D	E	F	G	H
SLP 07 - NOVA PRO FELIX	390	240	275	200	70	360	45	205
SLP 07 - RENOVA NR. 1	390	290	280	200	80	130	80	203
SLP 07 - NOVA PRO ALEX	320	330	285	130	70		80	203
SLP 07 - NOVA PRO	380	335	255	135	100	115	100	215
SLP 07 - RENOVA NR. 1 PLAN	390	310	250	145	100	125	100	215
SLP 07 - SELNOVA	390	290	280	200	80	130	80	203

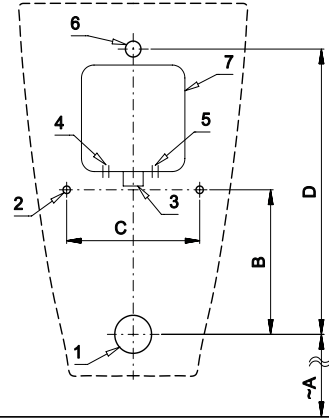
AUTOMATIC INFRA-RED AND RADAR FLUSHING UNITS

SLP 07R FELIX



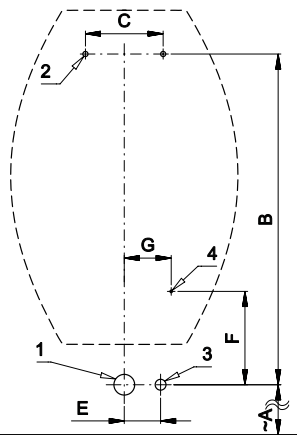
- 1 - waste pipeline \varnothing 50 mm
- 2 - holes for fitting
- 3 - water supply
- 4 - power supply 24 V DC or 230 V AC

SLP 12, 37 VILA



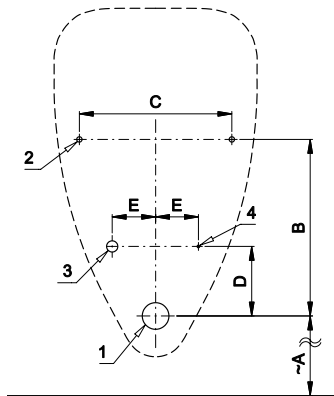
- 1 - waste pipeline \varnothing 50 mm
- 2 - holes for fitting
- 3 - water supply
- 4 - power supply 230 V AC (SLP 12/37RZ)
- 5 - power supply 24 V DC (SLP 12/37R)
- 6 - inlet fitting
- 7 - mounting box

SLP 17 DOMINO



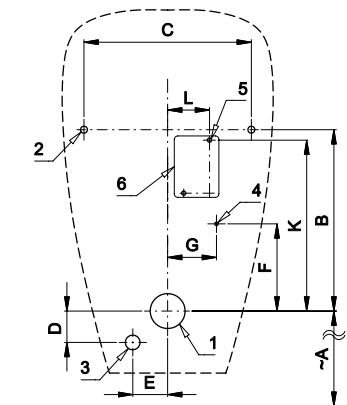
- 1 - waste outlet \varnothing 40 mm
- 2 - holes for fitting
- 3 - water supply
- 4 - power supply 24 V DC

SLP 18 ALEX



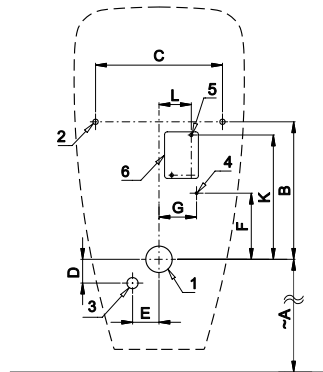
- 1 - waste pipeline \varnothing 50 mm
- 2 - holes for fitting
- 3 - water supply
- 4 - power supply 24 V DC or 230 V AC

SLP 19 GOLEM



- 1 - waste pipeline \varnothing 50 mm
- 2 - holes for fitting
- 3 - water supply
- 4 - power supply 24 V DC or 230 V AC
- 5 - holes for wall plugs
- 6 - power supply

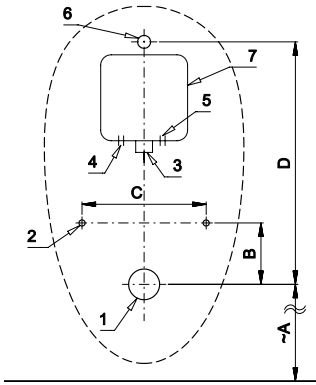
SLP 23 CAPRINO



- 1 - waste pipeline \varnothing 50 mm
- 2 - holes for fitting
- 3 - water supply
- 4 - power supply 24 V DC or 230 V AC
- 5 - holes for wall plugs
- 6 - power supply

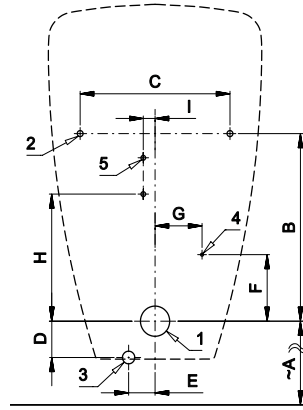
Dimensions (mm)	A	B	C	D	E	F	G	H	I	K	L
SLP 07R	390	240	275	200	70	360	45	205			
SLP 12, 37	415	190	180	375							
SLP 17	420	638	150		70	180	90				
SLP 18	320	330	285	130	70						
SLP 19	400	260	240	45	50	125	70			245	60
SLP 23	400	260	240	45	50	125	70			235	60

SLP 24, 25 ALESSI



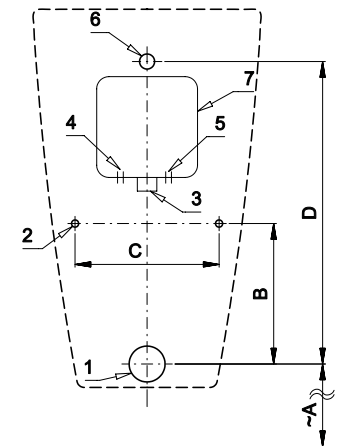
- 1 - waste pipeline Ø 50 mm
- 2 - holes for fitting
- 3 - water supply
- 4 - power supply 230 V AC (SLP 24/25RZ)
- 5 - power supply 24 V DC (SLP 24/25R)
- 6 - inlet fitting
- 7 - mounting box

SLP 31 LIVIO



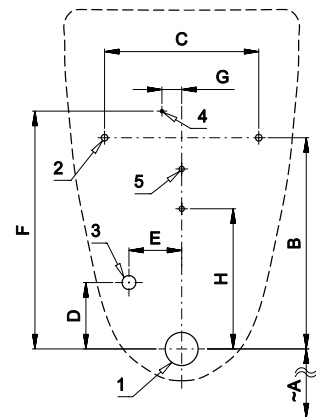
- 1 - waste pipeline Ø 50 mm
- 2 - holes for fitting
- 3 - water supply
- 4 - power supply 24 V DC or 230 V AC
- 5 - holes for wall plugs

SLP 32 ARQ



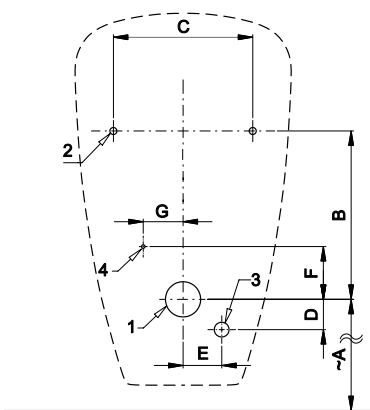
- 1 - waste pipeline Ø 50 mm
- 2 - holes for fitting
- 3 - water supply
- 4 - power supply 230 V AC (SLP 32RZ)
- 5 - power supply 24 V DC (SLP 32R)
- 6 - inlet fitting
- 7 - mounting box

SLP 36 ECCO (Golf)



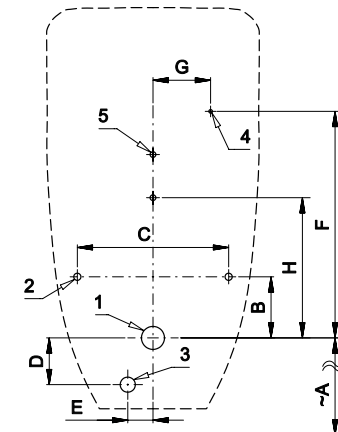
- 1 - waste pipeline Ø 50 mm
- 2 - holes for fitting
- 3 - water supply
- 4 - power supply 24 V DC or 230 V AC
- 5 - holes for wall plugs

SLP 49 CAPRINO PLUS RIMLESS



- 1 - waste pipeline Ø 50 mm
- 2 - holes for fitting
- 3 - water supply
- 4 - power supply 24 V DC or 230 V AC

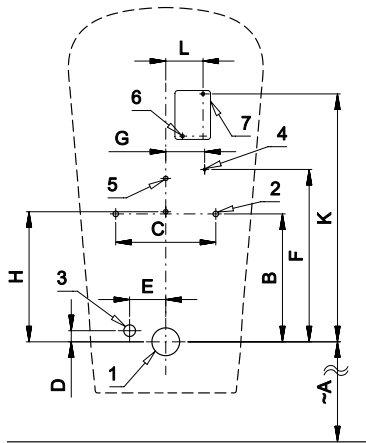
SLP 54 D-CODE



- 1 - waste pipeline Ø 32 mm
- 2 - holes for fitting
- 3 - water supply
- 4 - power supply 24 V DC or 230 V AC
- 5 - holes for wall plugs

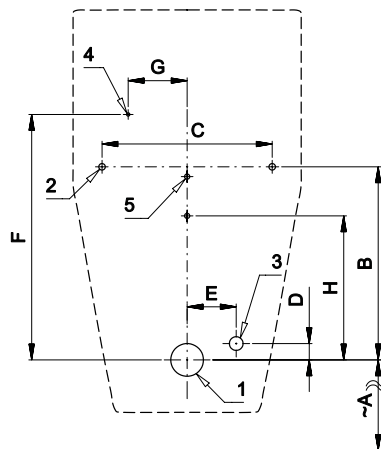
Dimensions (mm)	A	B	C	D	E	F	G	H	I
SLP 24, 25	420	100	200	395					
SLP 31	390	310	255	60	45	110	80	210	20
SLP 32	390	195	200	420					
SLP 36	365	318	234	100	80	358	30	211	
SLP 49	400	260	240	50	60	160	60		
SLP 54	480	85	210	65	35	315	80	195	

SLP 59 LEMA RIMLESS



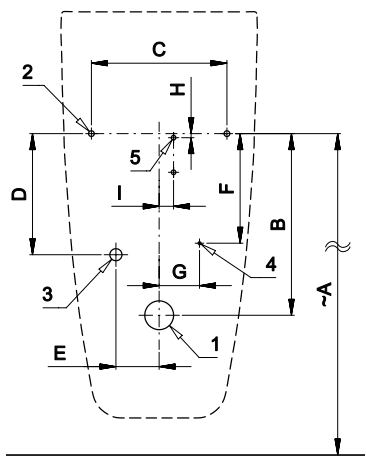
- 1 - waste pipeline Ø 50 mm
- 2 - holes for fitting
- 3 - water supply 1/2"
- 4 - power supply 24 V DC or 230 V AC
- 5 - holes for wall plugs Ø 8 mm
- 6 - holes for wall plugs Ø 6 mm
- 7 - power supply

SLP 68 ARCHITECTURA



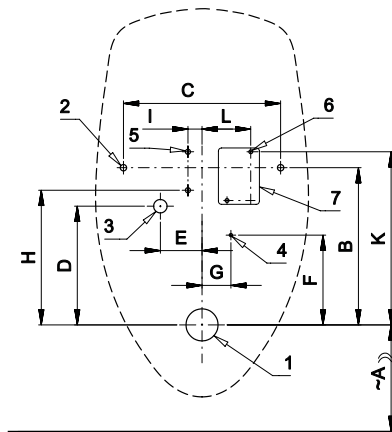
- 1 - waste pipeline Ø 50 mm
- 2 - holes for fitting
- 3 - water supply
- 4 - power supply
- 5 - holes for wall plugs

SLP 69 ARCHITECTURA



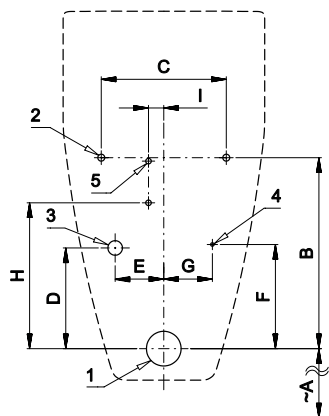
- 1 - waste pipeline Ø 50 mm
- 2 - holes for fitting
- 3 - water supply
- 4 - power supply
- 5 - holes for wall plugs

SLP 70 O.NOVO



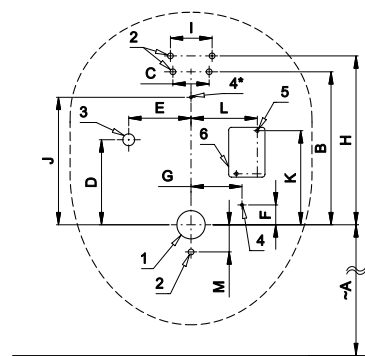
- 1 - waste pipeline Ø 50 mm
- 2 - holes for fitting
- 3 - water supply
- 4 - power supply
- 5 - holes for wall plugs
- 6 - holes for wall plugs
- 7 - power supply

SLP 71 SUBWAY



- 1 - waste pipeline Ø 50 mm
- 2 - holes for fitting
- 3 - water supply
- 4 - power supply
- 5 - holes for wall plugs

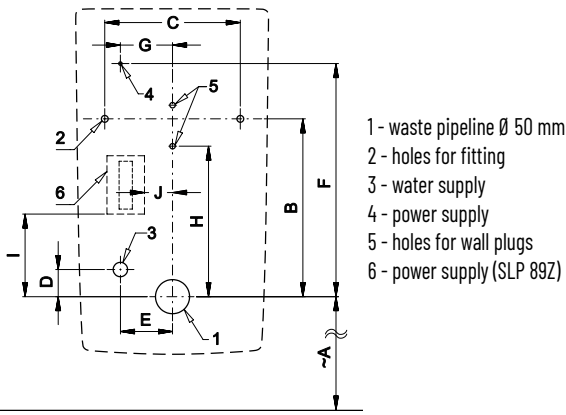
SLP 82 WCA



- 1 - waste outlet Ø 50 mm
- 2 - 5 x holes for fitting
- 3 - water inlet 1/2"
- 4 - power supply 24 V DC or 230 V AC
- 5 - 2 x holes for wall plugs Ø 6 mm (SLP 82RZ)
- 6 - power supply (SLP 82RZ)

Dimensions (mm)	A	B	C	D	E	F	G	H	I	J	K	L	M
SLP 59	350	230	180	20	65	310	70	234	446	67			
SLP 68	390	295	260	25	75	375	90	220					
SLP 69	675	315 - 375	235	210	75	190	70	7	25				
SLP 70	390	245	245	185	65	140	45	210	22	0	270	76	
SLP 71	405	275	180	145	70	150	70	210	22				
SLP 82	500	270	74	150	110	35	90	298	130	225	166	117	48

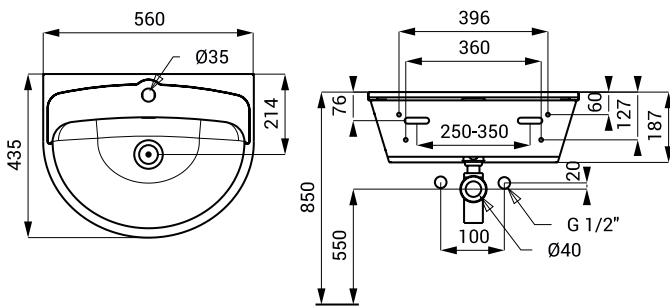
SLP 89 LA FONTANA



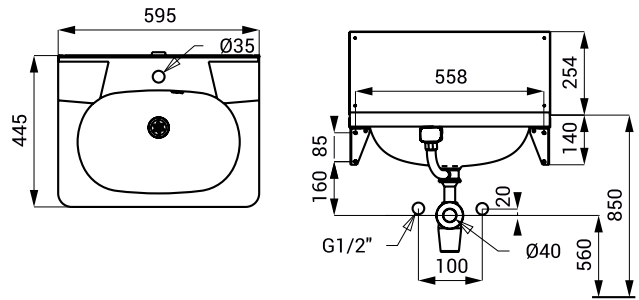
Dimensions (mm)	A	B	C	D	E	F	G	H	I	J
SLP 89	470	270	200	40	85	370	70	255	120	65

STAINLESS STEEL WASHBASINS

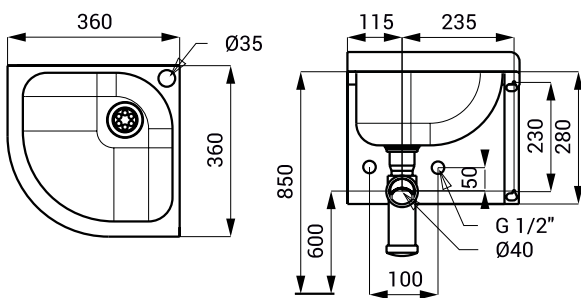
SLUN 01



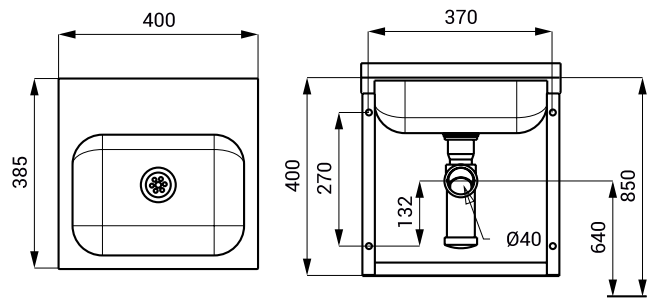
SLUN 02



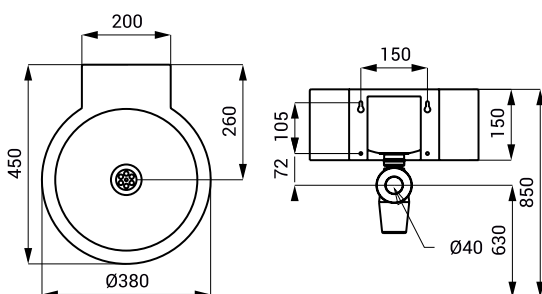
SLUN 11



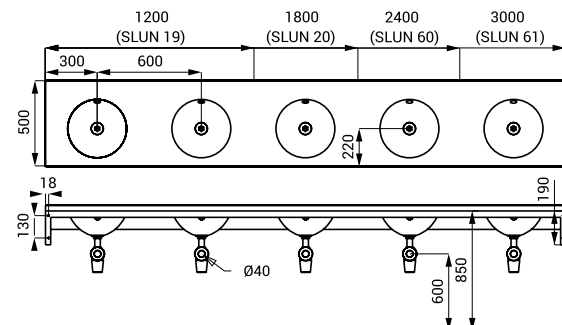
SLUN 13



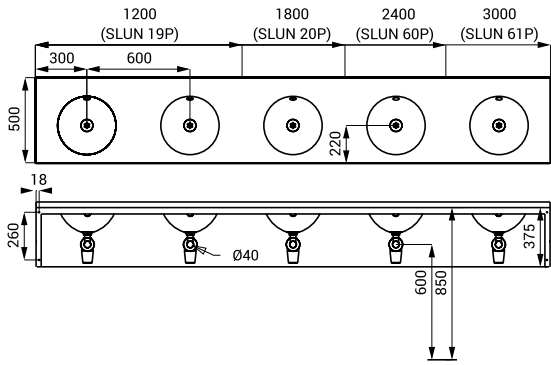
SLUN 17



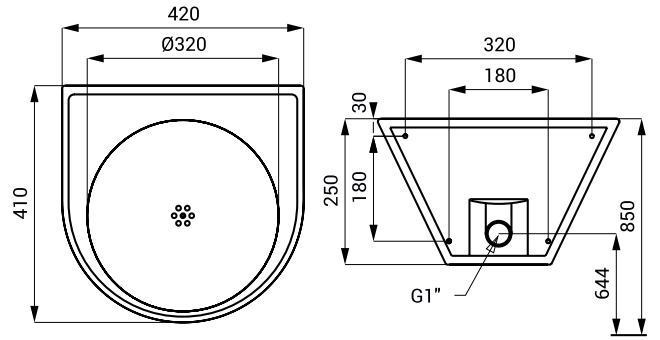
SLUN 19, 20, 60, 61



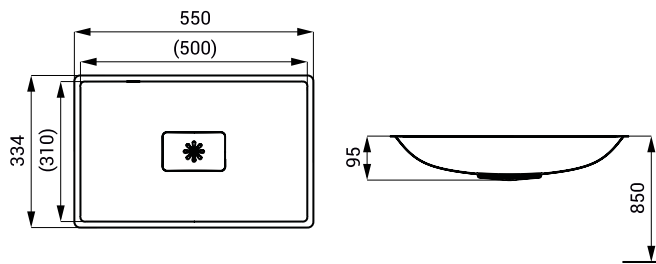
SLUN 19P, 20P, 60P, 61P



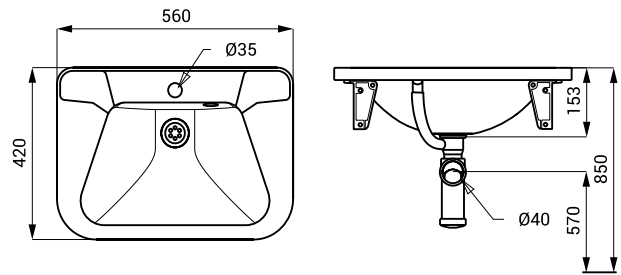
SLUN 22M



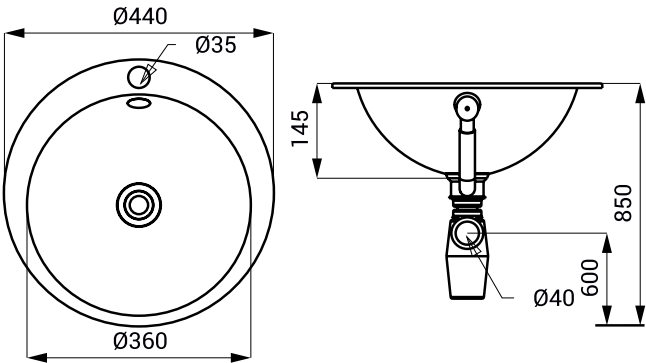
SLUN 24X



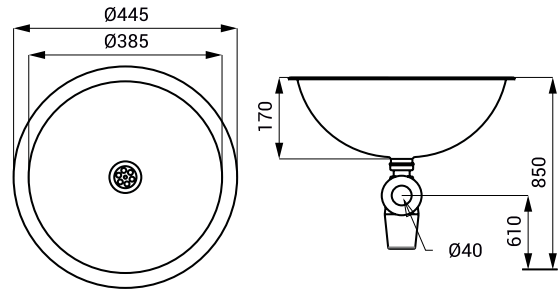
SLUN 26, 26A



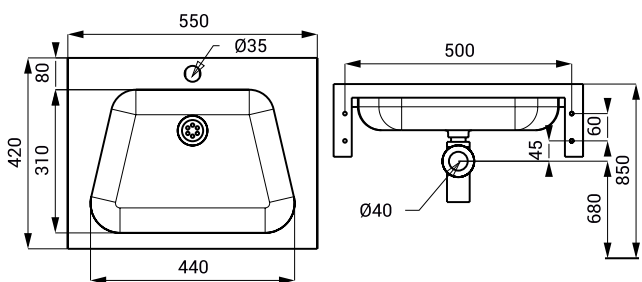
SLUN 28A



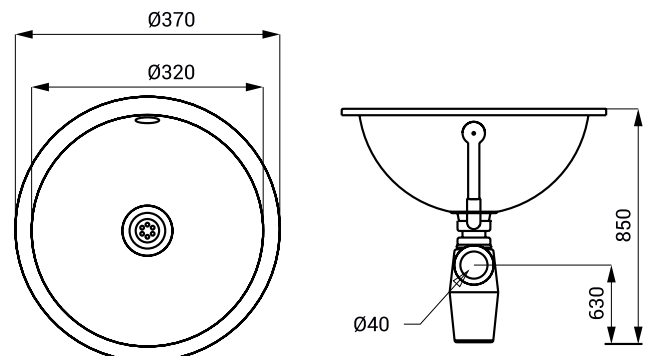
SLUN 34



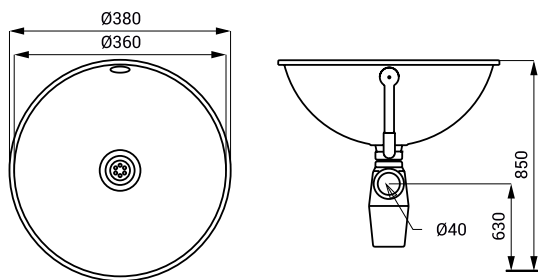
SLUN 36A



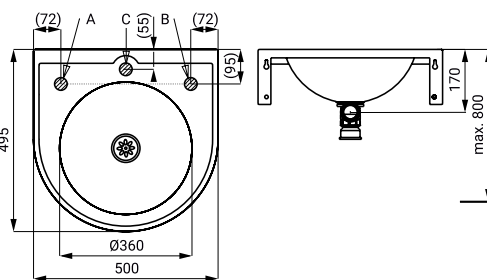
SLUN 44, 44X



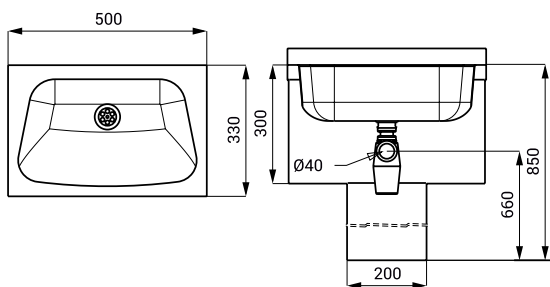
SLUN 45, 45X



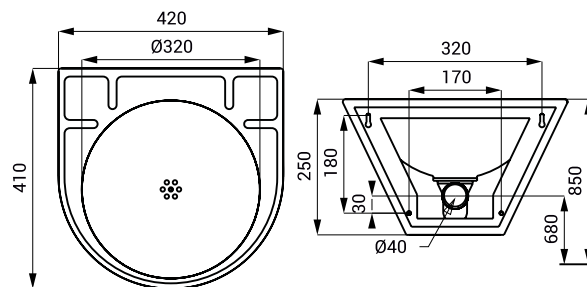
SLUN 47, 47X



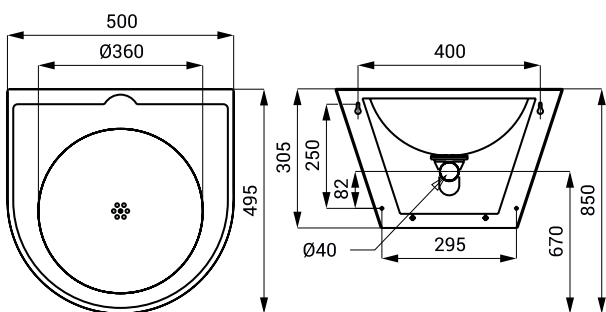
SLUN 57



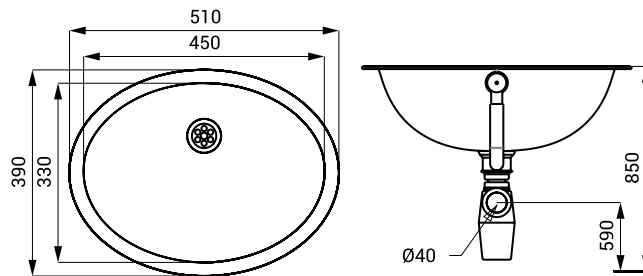
SLUN 58



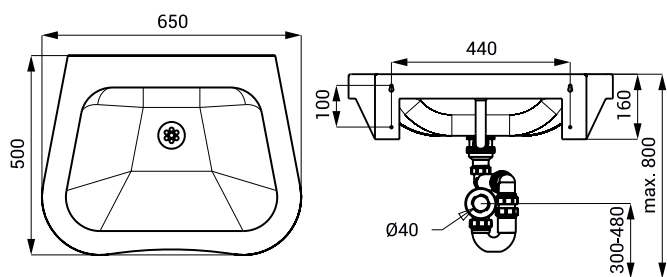
SLUN 59



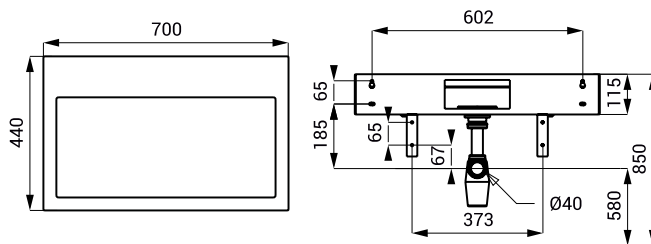
SLUN 63



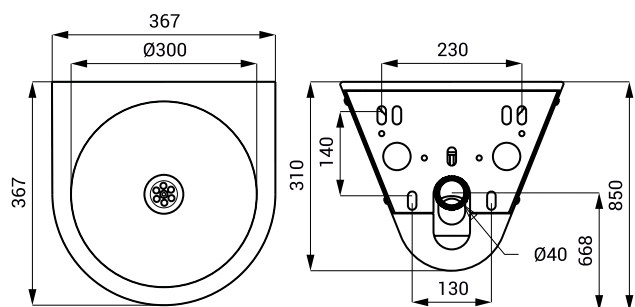
SLUN 66



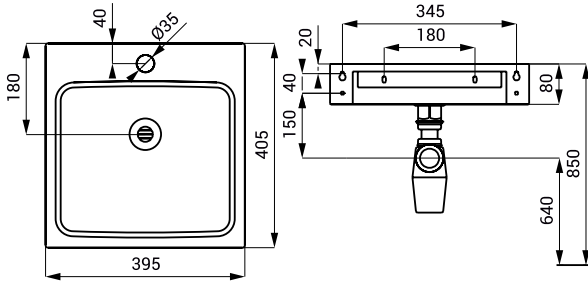
SLUN 68



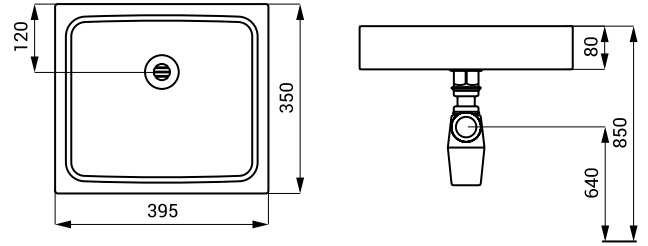
SLUN 69



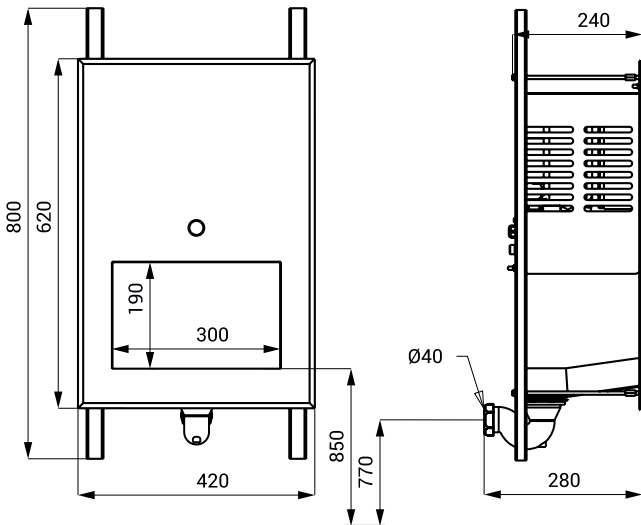
SLUN 73, 73V



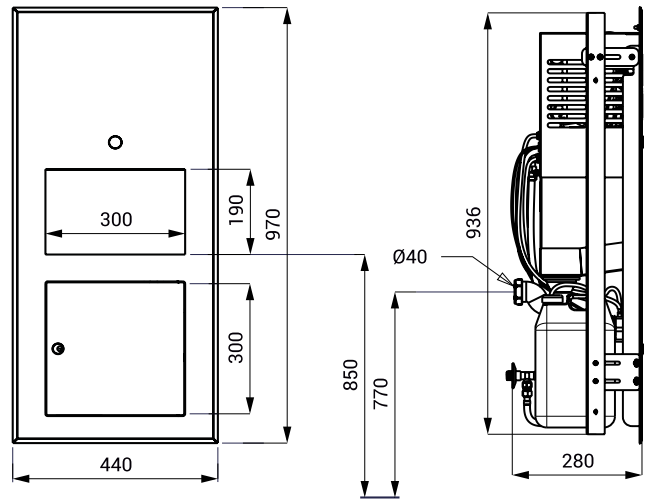
SLUN 73A, 73AV



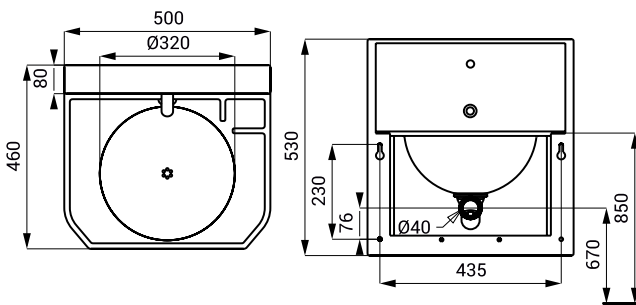
SLUN 70H



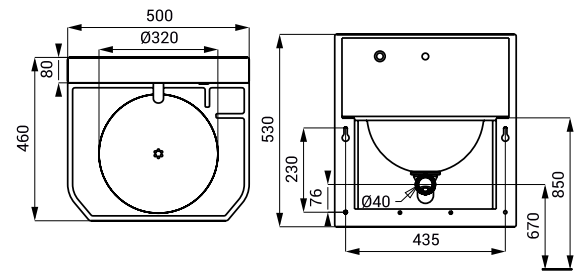
SLUN 70P



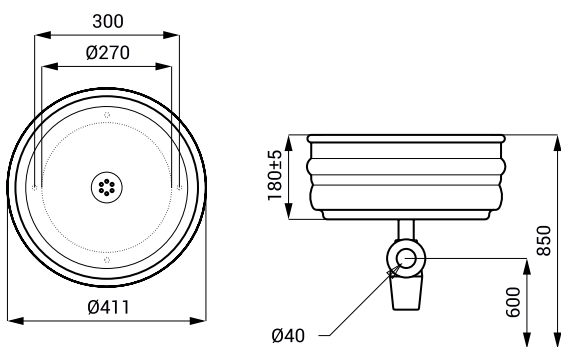
SLUN 71E, 72ET



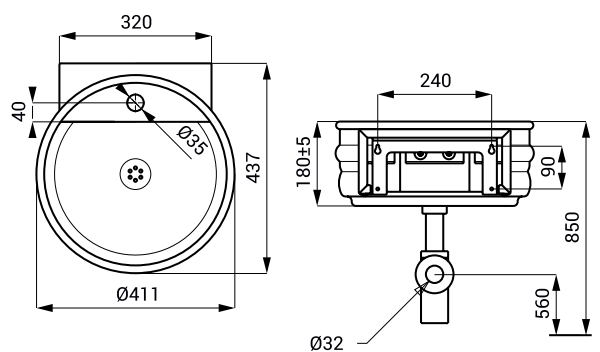
SLUN 71P, 72PT



SLUN 77

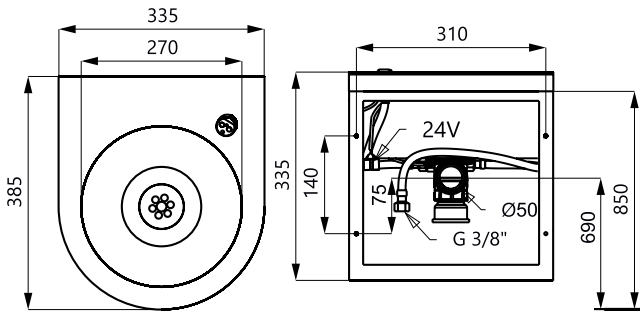


SLUN 77A

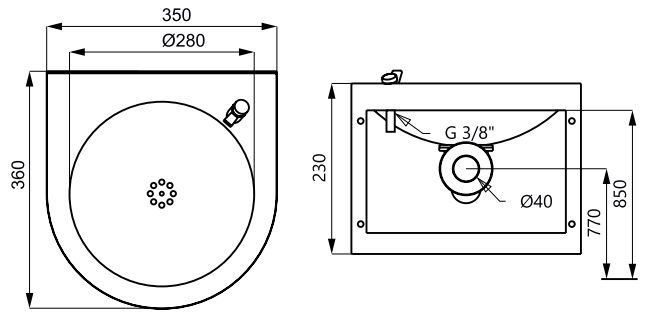


STAINLESS STEEL DRINKING FOUNTAINS

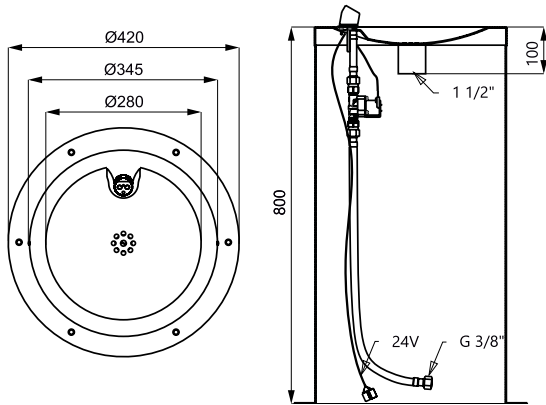
SLUN 14, 14E



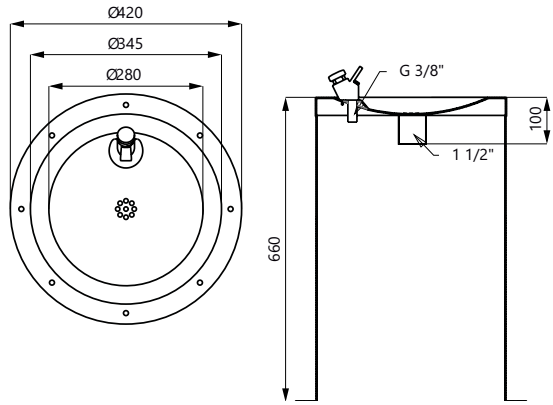
SLUN 62, 62E, 62S



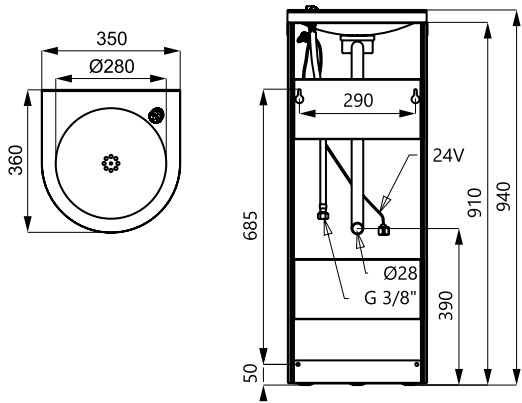
SLUN 23, 23E



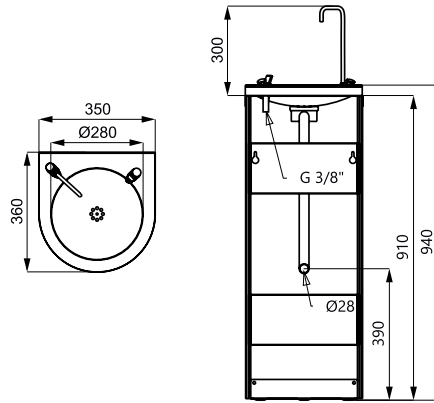
SLUN 23M



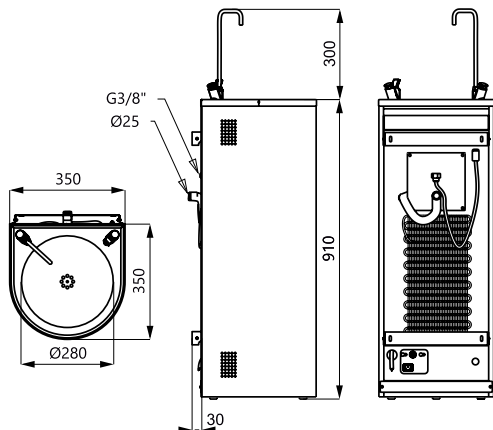
SLUN 43, 43E



SLUN 43S

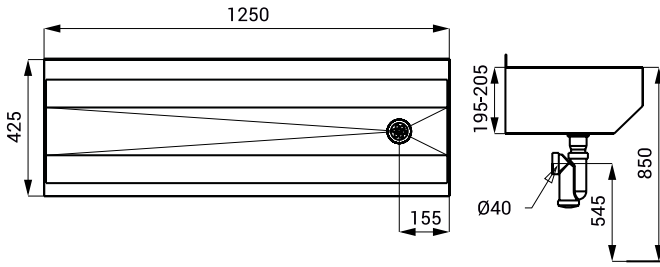


SLUN 43C, 43CS

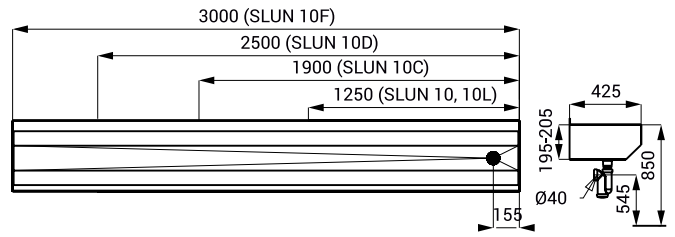


STAINLESS STEEL WASHING TROUGHS

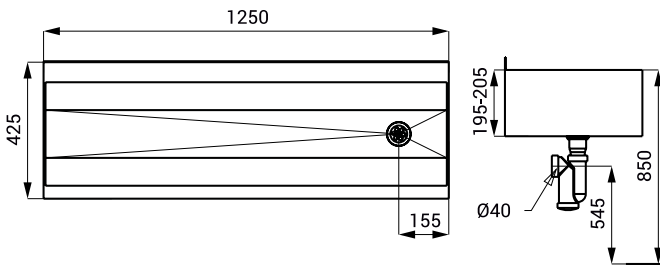
SLUN 10, 10L



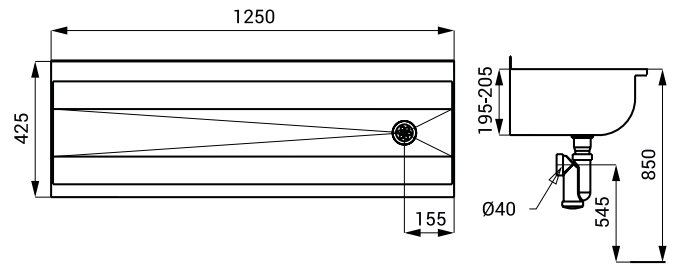
SLUN 10, 10C, 10D, 10F



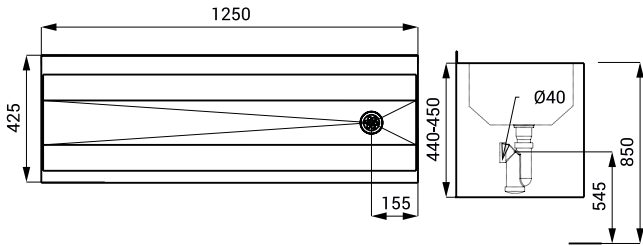
SLUN 10P, 10PL



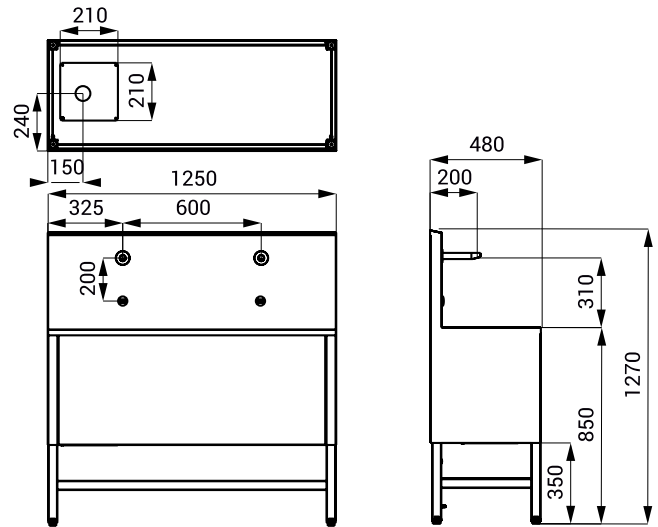
SLUN 10K, 10KL



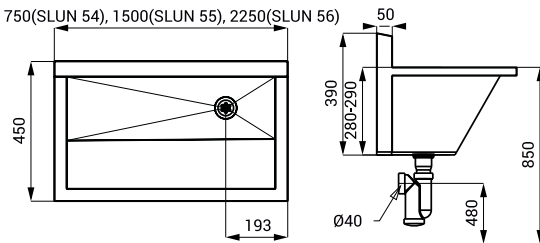
SLUN 10PA



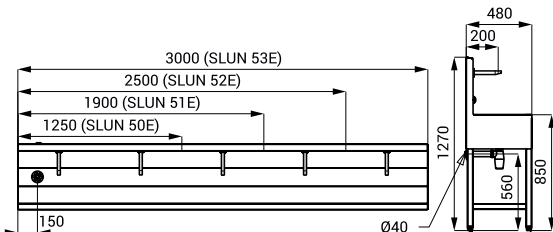
SLUN 50EA



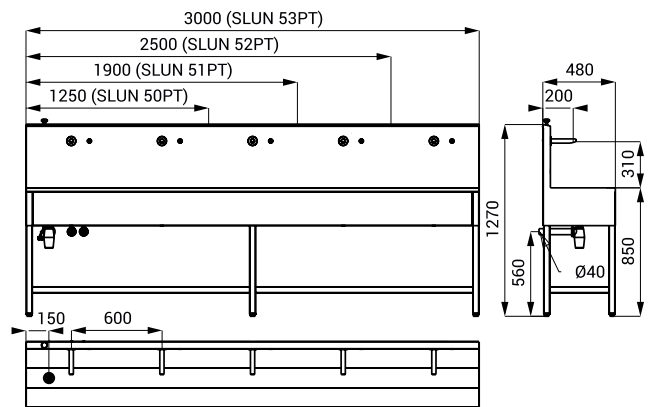
SLUN 54(L), 55(L), 56(L)



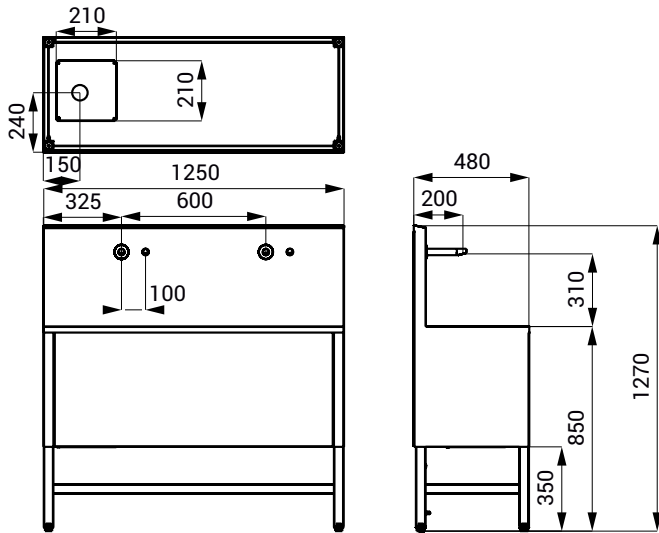
SLUN 50E(T) - 53E(T)



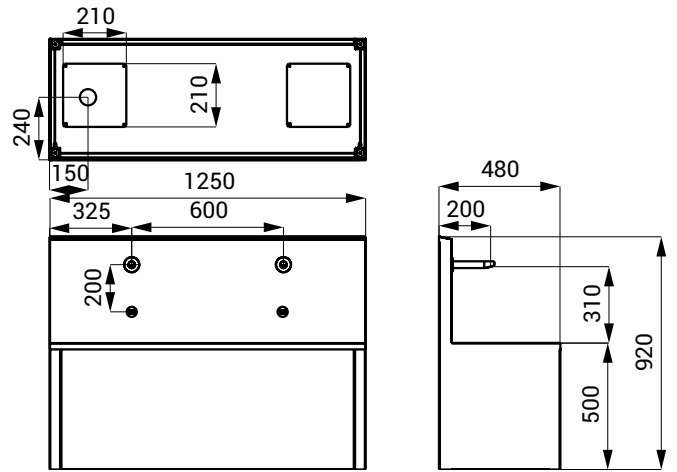
SLUN 50P(T) - 53P(T)



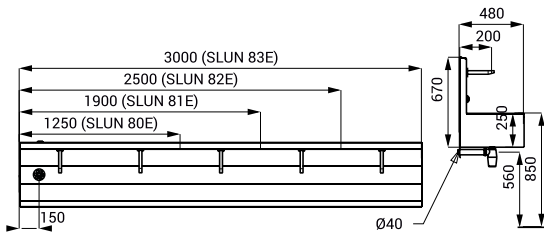
SLUN 50PA



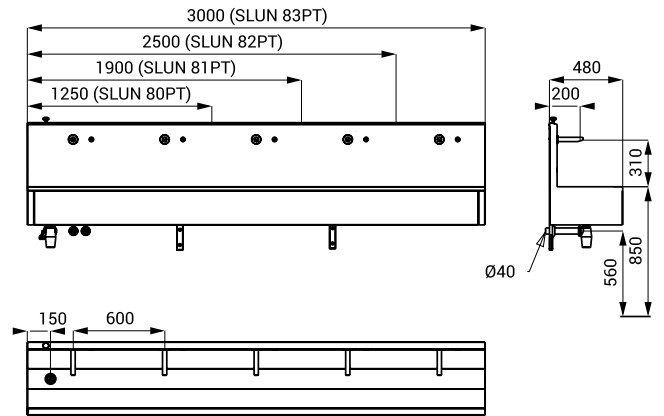
SLUN 80EA



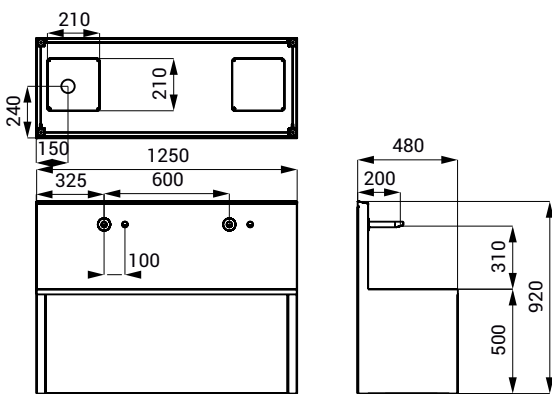
SLUN 80E(T) - 83E(T)



SLUN 80P(T) - 83P(T)

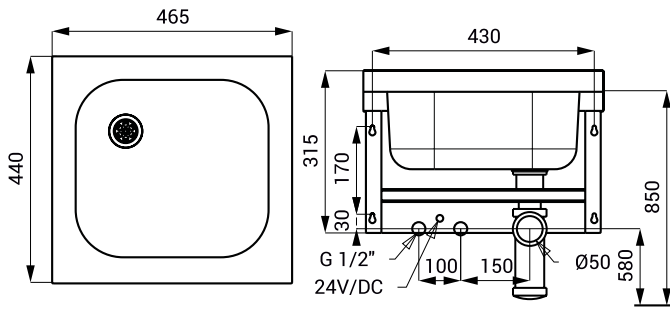


SLUN 80PA

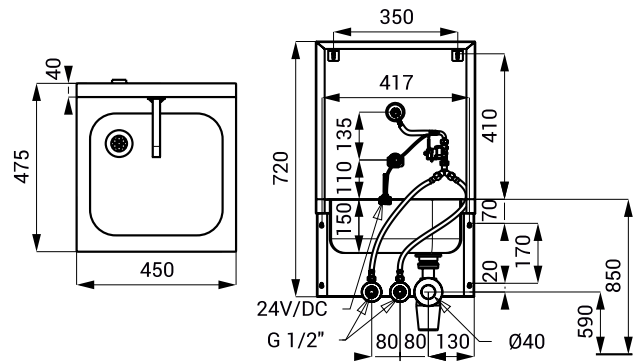


STAINLESS STEEL SINKS

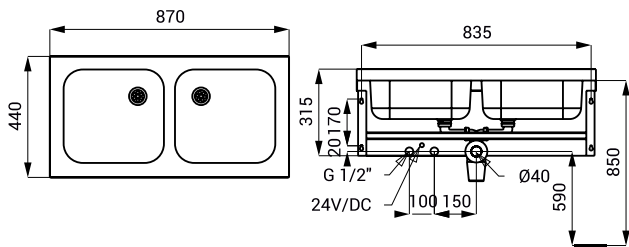
SLUN 03



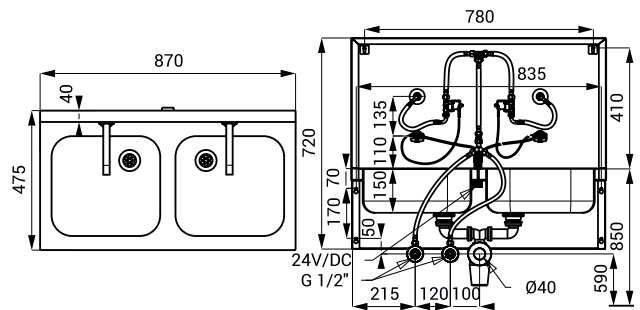
SLUN 04E, 04ET



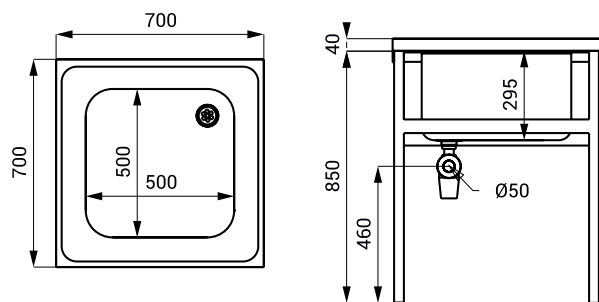
SLUN 06



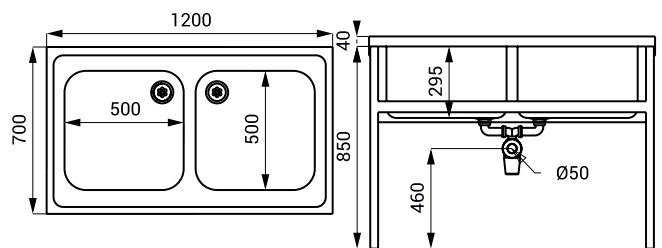
SLUN 07E, 07ET



SLUN 15

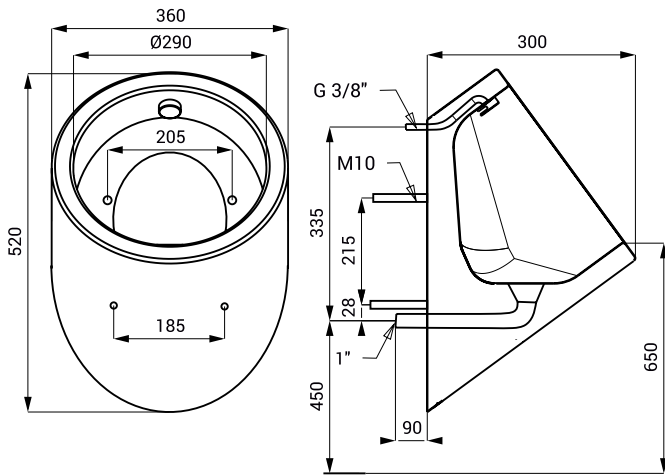


SLUN 16

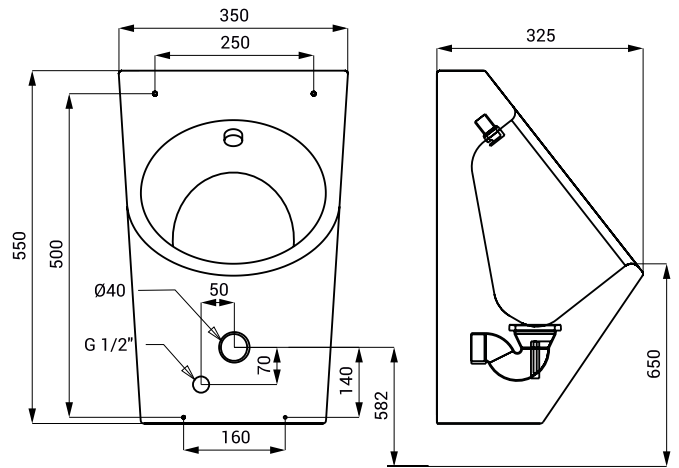


STAINLESS STEEL URINALS AND URINAL TROUGHS

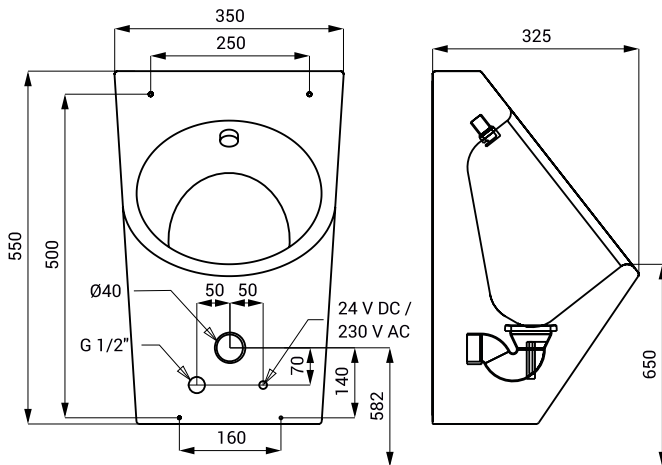
SLPN 06



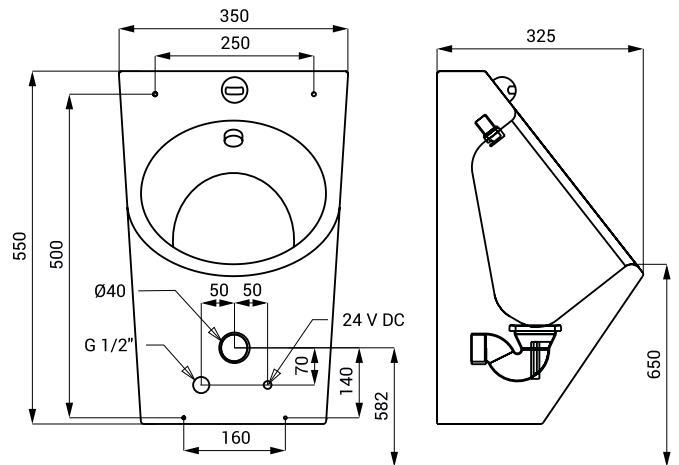
SLPN 07, 07CB



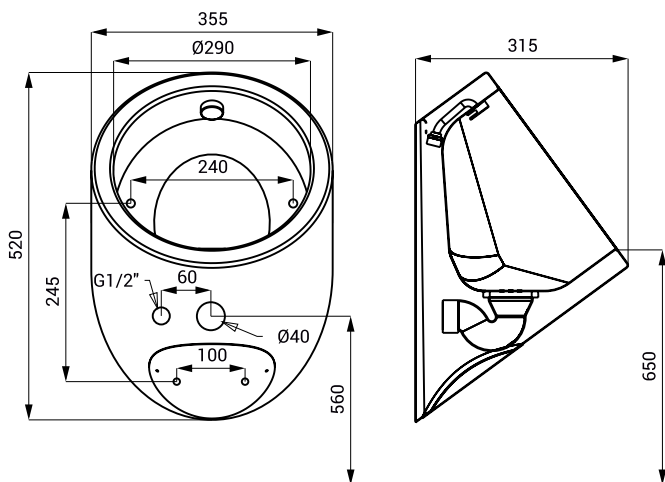
SLPN 07C, 07CZ



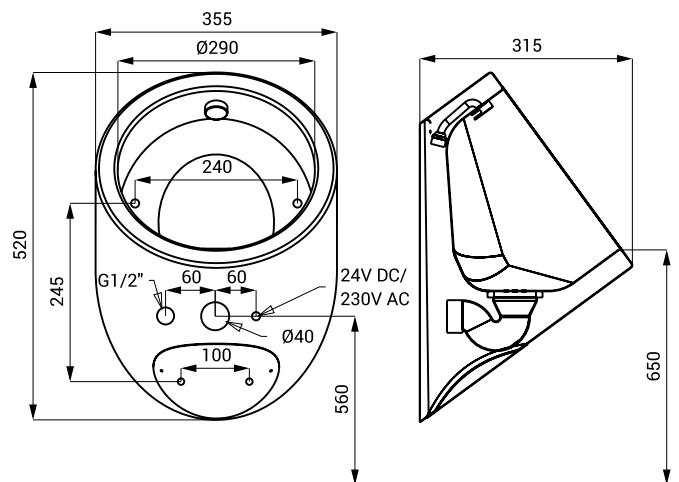
SLPN 07E



SLPN 09, 09CB

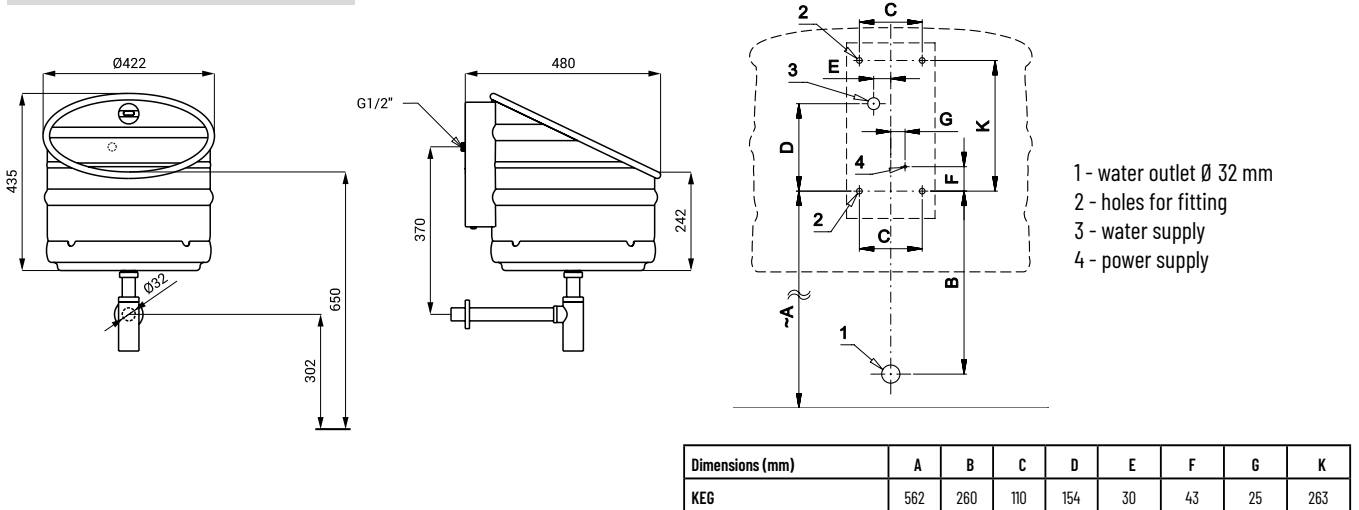


SLPN 09C, 09CZ

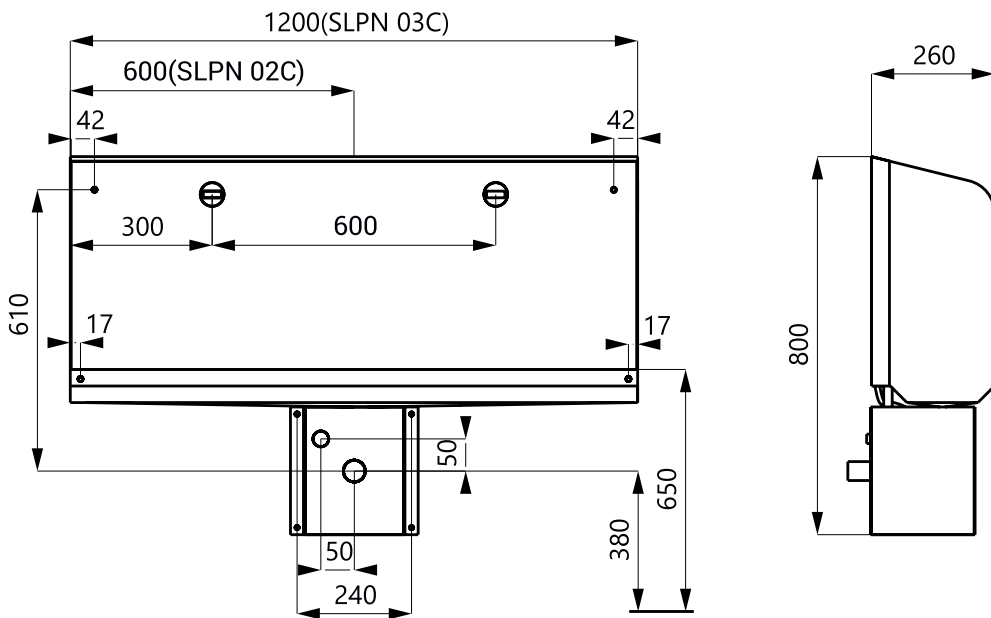


STAINLESS STEEL URINALS AND URINAL TROUGHS

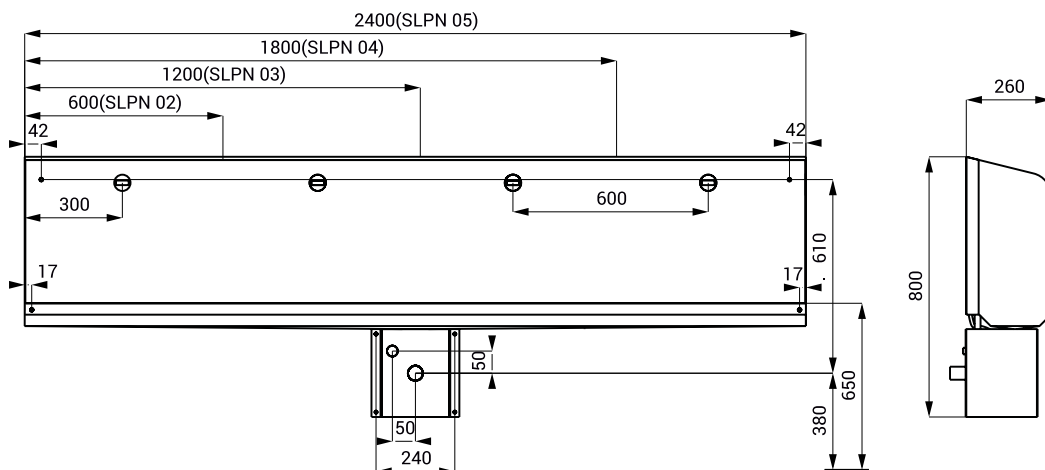
SLPN 10E



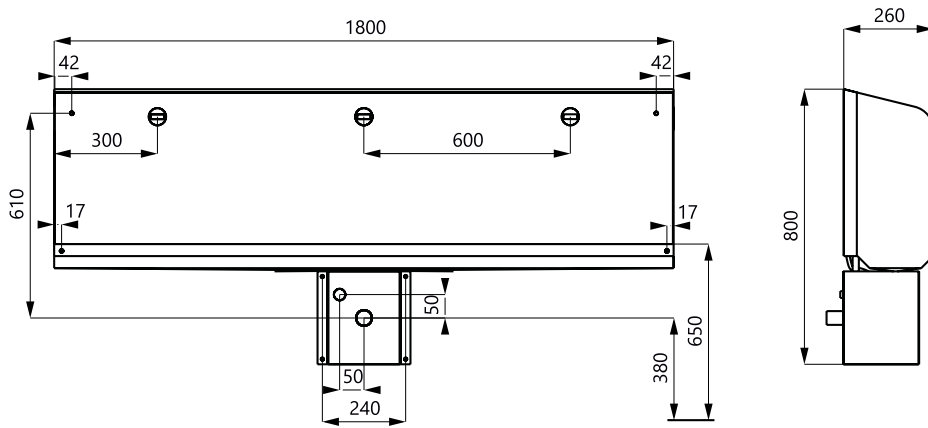
SLPN 02, 02C, 03, 03C



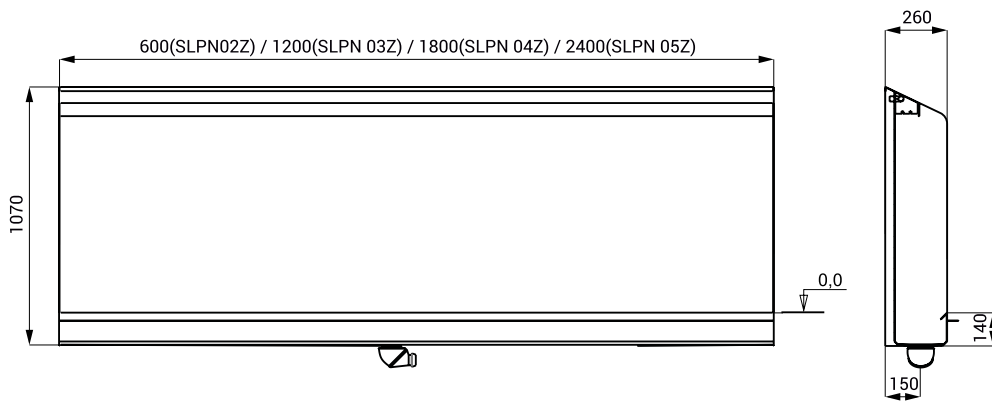
SLPN 02E - 05E



SLPN 04C

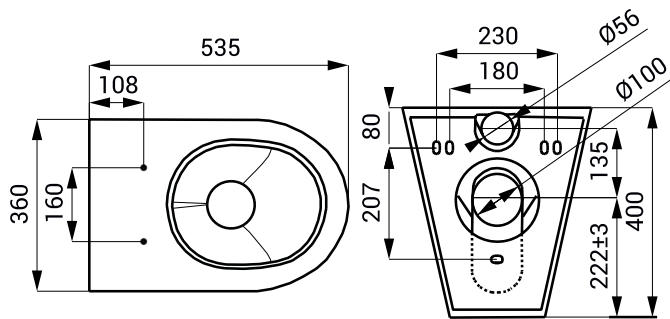


SLPN 02Z - 05Z

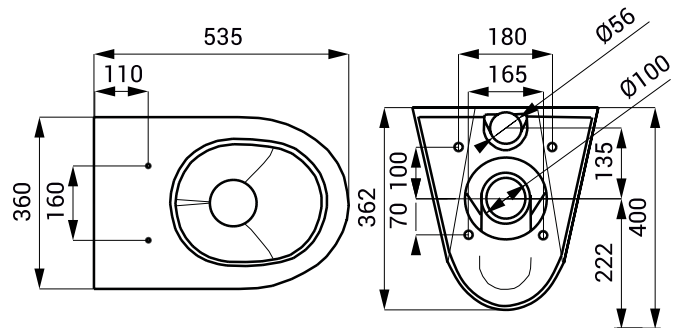


STAINLESS STEEL TOILETS

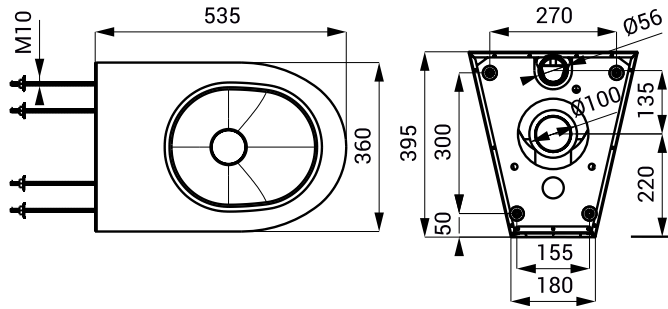
SLWN 03



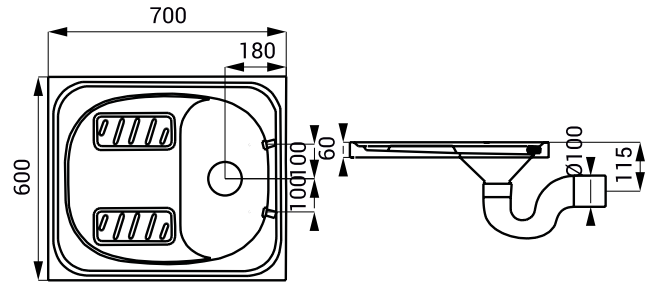
SLWN 04



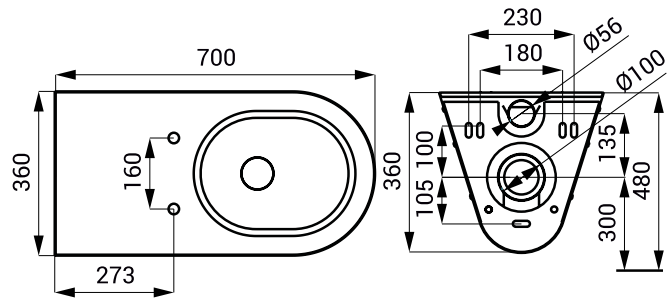
SLWN 05



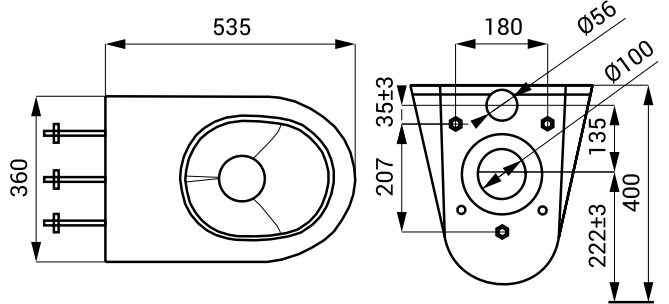
SLWN 07



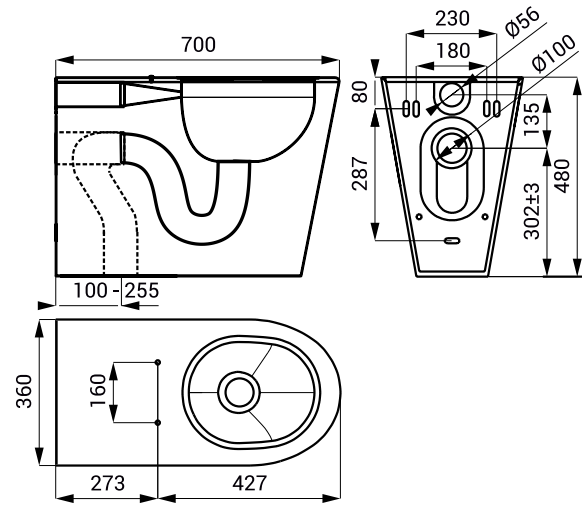
SLWN 11



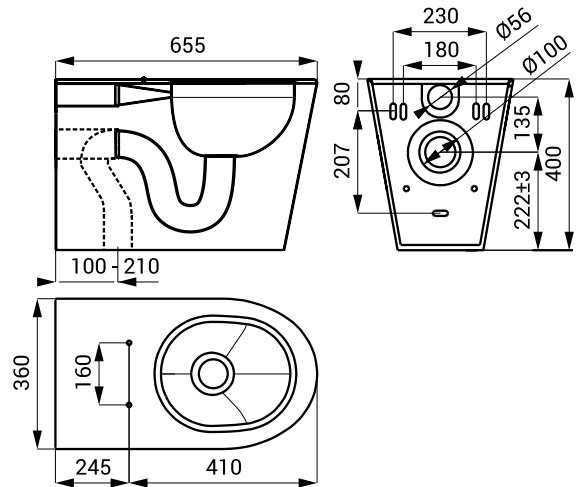
SLWN 12



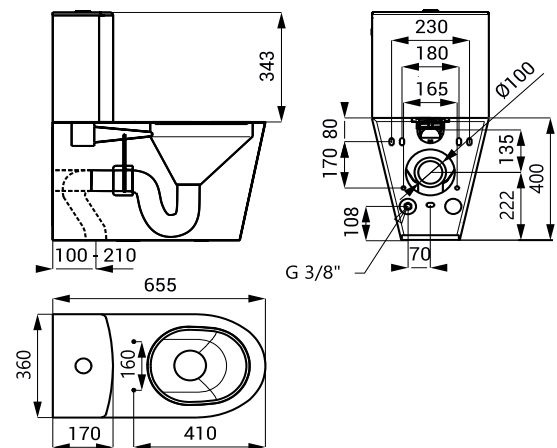
SLWN 13



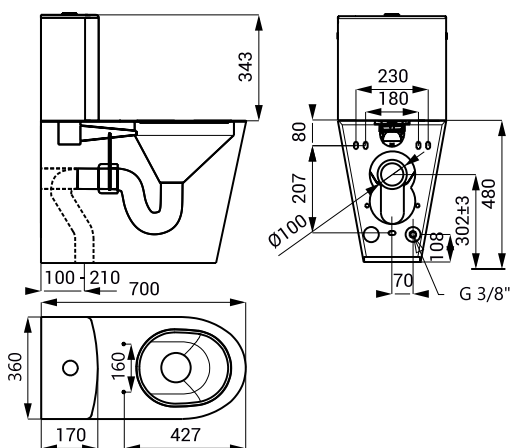
SLWN 14



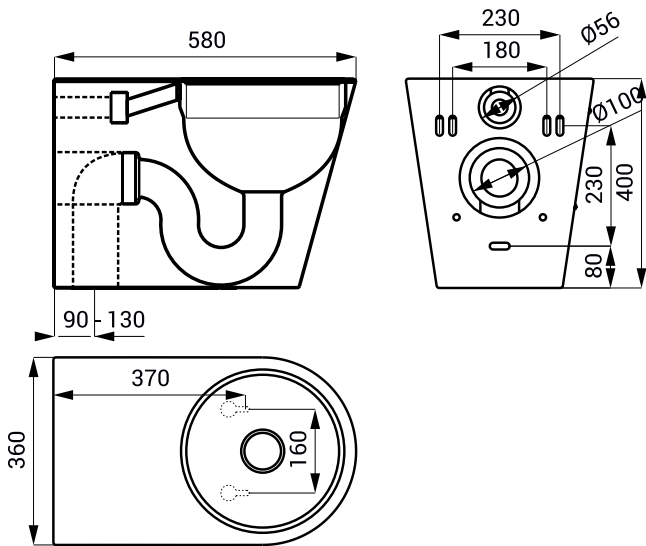
SLWN 15



SLWN 16

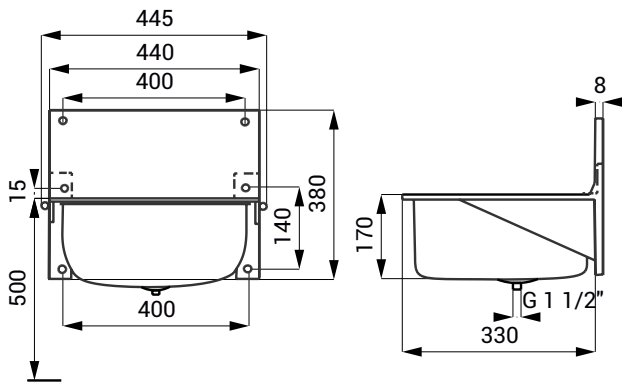


SLWN 30

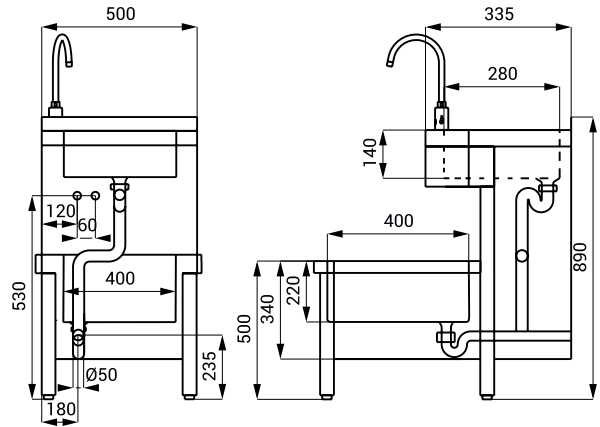


STAINLESS STEEL CLEANER'S SINKS

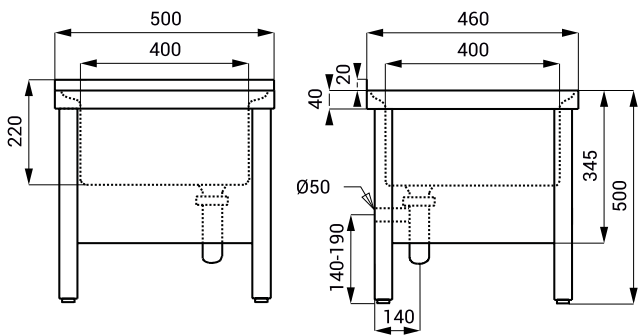
SLVN 01



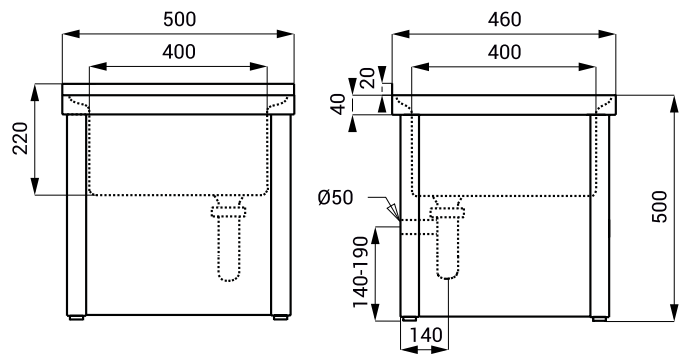
SLVN 02



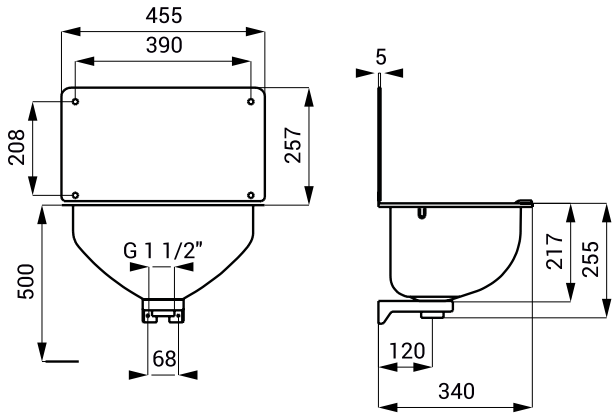
SLVN 03



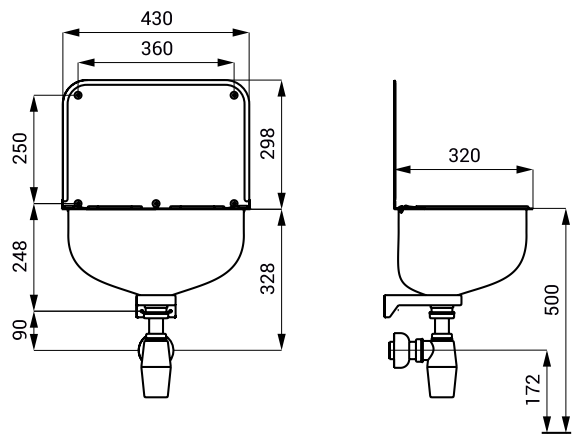
SLVN 03A



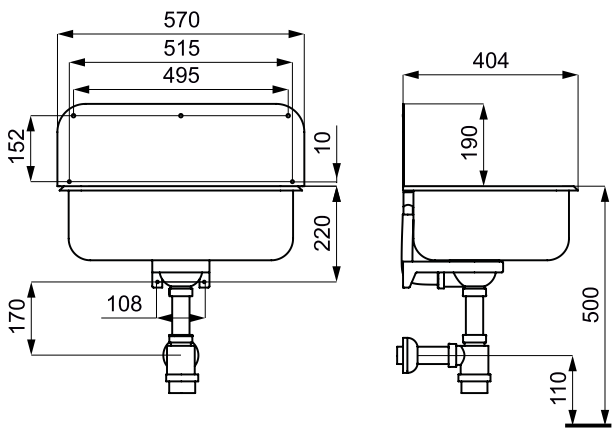
SLVN 04



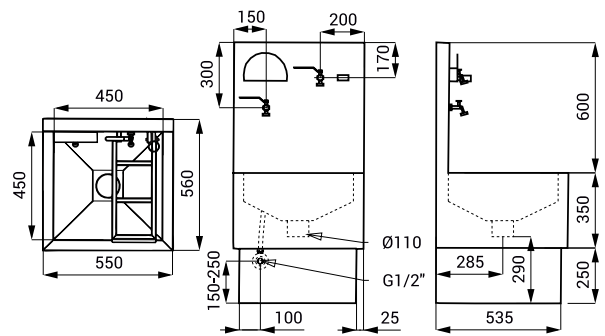
SLVN 05



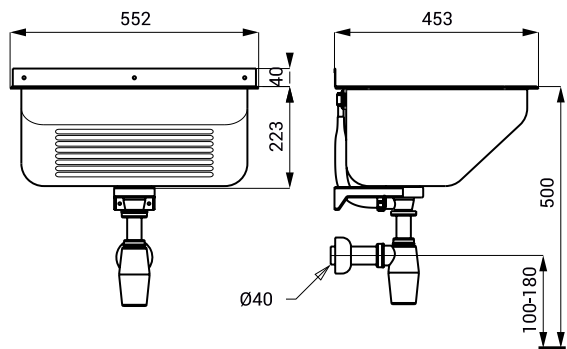
SLVN 06



SLVN 07



SLVN 08



SLA 02	122	SLDN 05	101	SLKN 06B	74	SLKN 17FX	74
SLA 03	120	SLDN 05N	101	SLKN 06BX	74	SLKN 18A	74
SLA 04	122	SLDN 06	101	SLKN 06C	74	SLKN 18AX	74
SLA 08	122	SLDN 06N	101	SLKN 06CX	74	SLKN 18B	74
SLA 09	122	SLDN 07	101	SLKN 06D	74	SLKN 18BX	74
SLA 10	123	SLDN 07N	101	SLKN 06DX	74	SLKN 18C	74
SLA 11	123	SLDN 08E	101	SLKN 06E	74	SLKN 18CX	74
SLA 11A	123	SLDN 08ED	101	SLKN 06EX	74	SLKN 18D	74
SLA 11B	123	SLDN 08ES	101	SLKN 06F	74	SLKN 18DX	74
SLA 11C	123	SLDN 08EDS	101	SLKN 06FX	74	SLKN 18E	74
SLA 13	120	SLDN 99A	101	SLKN 07A	74	SLKN 18EX	74
SLA 14	120	SLKA 01S	57	SLKN 07AX	74	SLKN 18F	74
SLA 20	123	SLKA 01W	58	SLKN 07B	74	SLKN 18FX	74
SLA 26	123	SLKN 01	74	SLKN 07BX	74	SLO 01L	103
SLA 27	65, 123	SLKN 01L	74	SLKN 07C	74	SLO 01S	103
SLA 29	123	SLKN 03A	74	SLKN 07CX	74	SLO 02E	103
SLA 30	123	SLKN 03AX	74	SLKN 07D	74	SLO 02M	103
SLA 32	124	SLKN 03B	74	SLKN 07DX	74	SLO 03L	103
SLA 33	124	SLKN 03BX	74	SLKN 07E	74	SLO 03C	103
SLA 35	124	SLKN 03C	74	SLKN 07EX	74	SLP 01Z	6, 61
SLA 36	124	SLKN 03CX	74	SLKN 07F	74	SLP 02K	5
SLA 37	124	SLKN 03D	74	SLKN 07FX	74	SLP 02KV	5
SLA 39	120	SLKN 03DX	74	SLKN 08A	74	SLP 02KVZ	5
SLA 40	120	SLKN 03E	74	SLKN 08AX	74	SLP 02KZ	5
SLA 52A	26, 124	SLKN 03EX	74	SLKN 08B	74	SLP 02N	5
SLA 52B	26, 124	SLKN 03F	74	SLKN 08BX	74	SLP 02NB	5
SLA 54	124	SLKN 03FX	74	SLKN 08C	74	SLP 02NP	6
SLA 55A	19	SLKN 04A	74	SLKN 08CX	74	SLP 02NZ	5
SLA 55B	19	SLKN 04AX	74	SLKN 08D	74	SLP 02PA	6
SLA 56A	19	SLKN 04B	74	SLKN 08DX	74	SLP 03K	5
SLA 56B	19	SLKN 04BX	74	SLKN 08E	74	SLP 03KB	5
SLA 57A	19	SLKN 04C	74	SLKN 08EX	74	SLP 03KV	5
SLA 57B	19	SLKN 04CX	74	SLKN 08F	74	SLP 03KVB	5
SLA 58	97	SLKN 04D	74	SLKN 08FX	74	SLP 03KVZ	5
SLA 58N	97	SLKN 04SX	74	SLKN 09	75	SLP 03KZ	5
SLA 59	113	SLKN 04E	74	SLKN 10	75	SLP 03N	5
SLA 64	124	SLKN 04EX	74	SLKN 11	75	SLP 03NB	5
SLA 65	124	SLKN 04F	74	SLKN 12	75	SLP 03NZ	5
SLA 66	124	SLKN 04FX	74	SLKN 13	75	SLP 05N	6
SLA 92	124	SLKN 05A	74	SLKN 14	75	SLP 05NZ	6
SLA 93	124	SLKN 05AX	74	SLKN 15	75	SLP 06K	5
SLD 03	125	SLKN 05B	74	SLKN 16	75	SLP 06KV	5
SLD 04	85, 125	SLKN 05BX	74	SLKN 17A	74	SLP 07S	6
SLD 05	85, 125	SLKN 05C	74	SLKN 17AX	74	SLP 07RS	6
SLD 07	125	SLKN 05CX	74	SLKN 17B	74	SLP 07Z	6
SLD 10	125	SLKN 05D	74	SLKN 17BX	74	SLP 07RZ	6
SLD 11	119	SLKN 05DX	74	SLKN 17C	74	SLP 07B	6
SLDN 01	100	SLKN 05E	74	SLKN 17CX	74	SLP 07RB	6
SLDN 01N	101	SLKN 05EX	74	SLKN 17D	74	SLP 09K	7
SLDN 02	100	SLKN 05F	74	SLKN 17DX	74	SLP 12R	7
SLDN 02N	101	SLKN 05FX	74	SLKN 17E	74	SLP 12RZ	7
SLDN 03	100	SLKN 06A	74	SLKN 17EX	74	SLP 12RB	7
SLDN 03N	101	SLKN 06AX	74	SLKN 17F	74	SLP 17	7

SLP 17B	7	SLPN 02C	60	SLS 01N	33	SLSN 27	72
SLP 18RS	7	SLPN 02CB	60	SLS 01NB	33	SLT 04	125
SLP 18RZ	7	SLPN 02E	60	SLS 01NP	33	SLT 05	125
SLP 18RB	7	SLPN 02EB	60	SLS 01NPB	33	SLT 07	125
SLP 19S	7	SLPN 02Z	61	SLS 01P	33	SLT 08	125
SLP 19Z	7	SLPN 03	60	SLS 01PA	33	SLT 09	125
SLP 19B	7	SLPN 03C	60	SLS 01PB	33	SLT 10	125
SLP 23S	7	SLPN 03CB	60	SLS 01PBA	33	SLU 01N	15
SLP 23Z	7	SLPN 03E	60	SLS 02	33	SLU 01NB	15
SLP 23B	7	SLPN 03EB	60	SLS 02B	33	SLU 01NH	15
SLP 24R	7	SLPN 03Z	61	SLS 02P	35	SLU 01NHB	15
SLP 24RZ	7	SLPN 04	60	SLS 02PB	35	SLU 02BT	15
SLP 25R	8	SLPN 04C	60	SLS 02PT	35	SLU 02N	15
SLP 25RZ	8	SLPN 04CB	60	SLS 02PTB	35	SLU 02NB	15
SLP 31RS	8	SLPN 04E	61	SLS 02T	35	SLU 02T	15
SLP 31RZ	8	SLPN 04EB	61	SLS 02TB	35	SLU 04H17	25
SLP 31RB	8	SLPN 04Z	61	SLS 03	35	SLU 04H17B	25
SLP 32R	8	SLPN 05	61	SLS 03B	35	SLU 04H25	25
SLP 32RZ	8	SLPN 05E	61	SLS 03S	35	SLU 04H25B	25
SLP 32RB	8	SLPN 05EB	61	SLS 03SB	35	SLU 04HT17	25
SLP 36RS	8	SLPN 05Z	61	SLSN 01E	67	SLU 04HT17B	25
SLP 36RZ	8	SLPN 06	59	SLSN 01EB	67	SLU 04HT25	25
SLP 36RB	8	SLPN 07	59	SLSN 01P	67	SLU 04HT25B	25
SLP 37R	8	SLPN 07C	59	SLSN 01PB	67	SLU 04P17	25
SLP 37RZ	8	SLPN 07CB	59	SLSN 02E	67	SLU 04P17B	25
SLP 37RB	8	SLPN 07CZ	59	SLSN 02EB	67	SLU 04P25	25
SLP 49S	8	SLPN 07E	59	SLSN 02ET	67	SLU 04P25B	25
SLP 49Z	8	SLPN 07EB	59	SLSN 02ETB	67	SLU 08L	15
SLP 49B	8	SLPN 09	59	SLSN 02P	67	SLU 08LB	15
SLP 54RS	9	SLPN 09C	59	SLSN 02PB	67	SLU 08LD	15
SLP 54RZ	9	SLPN 09CB	59	SLSN 02PT	67	SLU 08LDB	15
SLP 54RB	9	SLPN 09CZ	59	SLSN 02PTB	67	SLU 08LN	15
SLP 59RS	9	SLPN 10E	59, 69	SLSN 06	68	SLU 08LNB	15
SLP 59RZ	9	SLPN 10EB	59, 69	SLSN 07	68	SLU 08LND	16
SLP 59RB	9	SLR 03	121	SLSN 08	68	SLU 08LNDB	16
SLP 68RS	9	SLR 03A	121	SLSN 09	68	SLU 09PTB	25
SLP 68RZ	9	SLR 07	121	SLSN 10	68	SLU 15	16
SLP 68RB	9	SLR 08	121	SLSN 11	68	SLU 15B	16
SLP 69RS	9	SLR 09	121	SLSN 19	71	SLU 25	25
SLP 69RZ	9	SLR 10	121	SLSN 20	71	SLU 25B	25
SLP 69RB	9	SLR 21	121	SLSN 21	71	SLU 25S	25
SLP 70RS	9	SLR 21A	121	SLSN 21D	71	SLU 25SB	25
SLP 70RZ	9	SLR 22	121	SLSN 21V	71	SLU 34	16
SLP 70RB	9	SLR 23	122	SLSN 22	71	SLU 34B	16
SLP 71RS	9	SLR 24	122	SLSN 22D	71	SLU 35	16
SLP 71RZ	9	SLR 25	122	SLSN 22V	71	SLU 35B	16
SLP 71RB	9	SLR 26	122	SLSN 23	72	SLU 37	16
SLP 82RS	10	SLR 53	125	SLSN 23H	72	SLU 37B	16
SLP 82RZ	10	SLR 54	125	SLSN 23H0	72	SLU 39	26
SLP 82RB	10	SLS 01AK	33	SLSN 23Z	72	SLU 39B	26
SLP 89S	10	SLS 01AKB	33	SLSN 24	72	SLU 39BX	26
SLP 89Z	10	SLS 01AKV	33	SLSN 25	72	SLU 39PBX	25
SLPN 02	60	SLS 01AKVB	33	SLSN 26	72	SLU 39PX	25

SLU 39X	26	SLU 76NF	22	SLUN 10K	51	SLUN 52ET	52
SLU 42K	26	SLU 76NFB	22	SLUN 10KL	51	SLUN 52P	53
SLU 42KB	26	SLU 76NFX	22	SLUN 10L	51	SLUN 52PT	53
SLU 43	26	SLU 76NFXB	22	SLUN 10P	51	SLUN 53E	52
SLU 43B	26	SLU 76NG	22	SLUN 10PA	51	SLUN 53ET	52
SLU 43KB	26	SLU 76NGB	22	SLUN 10PL	51	SLUN 53P	53
SLU 43V	26	SLU 76NGX	22	SLUN 11	41	SLUN 53PT	53
SLU 43VB	26	SLU 76NGXB	22	SLUN 13	41	SLUN 54	51
SLU 44P	26	SLU 76NH	22	SLUN 14	49	SLUN 54L	51
SLU 44PB	26	SLU 76NHB	22	SLUN 14E	49	SLUN 55	51
SLU 44PP	26	SLU 76NHX	22	SLUN 14EB	49	SLUN 55L	51
SLU 45	16	SLU 76NHXB	22	SLUN 15	56	SLUN 56	51
SLU 45B	16	SLU 76NB	17	SLUN 16	56	SLUN 56L	51
SLU 45MD	27	SLU 91N	18	SLUN 17	41	SLUN 57	43
SLU 45M2	27	SLU 91NB	18	SLUN 19	41	SLUN 58	44
SLU 45M3	27	SLU 91ND	18	SLUN 19P	42	SLUN 59	44
SLU 45M4	27	SLU 91NDB	18	SLUN 20	41	SLUN 60	41
SLU 45M5	27	SLU 91NP	19	SLUN 20P	42	SLUN 60P	42
SLU 45M6	27	SLU 91NPB	19	SLUN 22M	42	SLUN 61	41
SLU 46	16	SLU 91NPD	19	SLUN 23	49	SLUN 61P	42
SLU 46B	16	SLU 91NPDB	19	SLUN 23E	49	SLUN 62	50
SLU 46MD	27	SLU 92N	18	SLUN 23EB	49	SLUN 62E	50
SLU 56	16	SLU 92NB	18	SLUN 23M	49	SLUN 62EB	50
SLU 56B	16	SLU 92ND	19	SLUN 24X	42	SLUN 62ES	50
SLU 56V	17	SLU 92NDB	19	SLUN 26	42	SLUN 62ESB	50
SLU 56VB	17	SLU 92NP	19	SLUN 26A	42	SLUN 62S	50
SLU 57	16	SLU 92NPB	19	SLUN 28A	42	SLUN 63	44
SLU 57B	16	SLU 92NPD	19	SLUN 34	43	SLUN 65	42
SLU 57F	21	SLU 92NPDB	19	SLUN 36A	43	SLUN 66	44
SLU 57FB	21	SLU 93N	18	SLUN 43	50	SLUN 68	44
SLU 57FX	21	SLU 93NB	18	SLUN 43C	50	SLUN 69	44
SLU 57FXB	21	SLU 93ND	18	SLUN 43CS	50	SLUN 70H	45
SLU 57G	21	SLU 93NDB	18	SLUN 43E	50	SLUN 70P	45
SLU 57GB	21	SLU 93NP	19	SLUN 43EB	50	SLUN 71E	46
SLU 57GX	21	SLU 93NPB	19	SLUN 43S	50	SLUN 71EB	46
SLU 57GXB	21	SLU 93NPD	19	SLUN 44	43	SLUN 71P	46
SLU 57H	21	SLU 93NPDB	19	SLUN 44X	43	SLUN 71PB	46
SLU 57HB	21	SLUN 01	41	SLUN 45	43	SLUN 72E	46
SLU 57HX	21	SLUN 02	41	SLUN 45X	43	SLUN 72EB	46
SLU 57HXB	21	SLUN 03	55	SLUN 47	43	SLUN 72ET	46
SLU 57V	17	SLUN 04E	55	SLUN 47X	43	SLUN 72ETB	46
SLU 57VB	17	SLUN 04EB	55	SLUN 50E	52	SLUN 72P	46
SLU 60	17	SLUN 04ET	55	SLUN 50EA	52	SLUN 72PB	46
SLU 60B	17	SLUN 04ETB	55	SLUN 50ET	52	SLUN 72PT	46
SLU 60V	17	SLUN 06	55	SLUN 50P	53	SLUN 72PTB	46
SLU 60VB	17	SLUN 07E	55	SLUN 50PT	53	SLUN 73	45
SLU 63	17	SLUN 07EB	55	SLUN 50T	51	SLUN 73V	45
SLU 63B	17	SLUN 07ET	55	SLUN 50PA	53	SLUN 73A	45
SLU 63V	17	SLUN 07ETB	55	SLUN 51E	52	SLUN 73AV	45
SLU 63VB	17	SLUN 10	51	SLUN 51ET	52	SLUN 77	49, 69
SLU 68	22	SLUN 10C	51	SLUN 51P	53	SLUN 77A	49, 69
SLU 68B	22	SLUN 10D	51	SLUN 51PT	53	SLUN 80E	54
SLU 76N	17	SLUN 10F	51	SLUN 52E	52	SLUN 80EA	53

SLUN 80ET	54	SLWN 05	63	SLZA 03NZ	80	SLZA 51R	89
SLUN 80P	54	SLWN 07	65	SLZA 04L	84	SLZA 52	85
SLUN 80PT	54	SLWN 07D	65	SLZA 04LZ	84	SLZA 53	85,89
SLUN 80PA	54	SLWN 08L	65	SLZA 15	85	SLZA 54	89
SLUN 81E	54	SLWN 08LP	65	SLZA 17	85	SLZA 54A	89
SLUN 81ET	54	SLWN 08P	65	SLZA 20	82	SLZA 55	89
SLUN 81P	54	SLWN 08PP	65	SLZA 20H	82	SLZA 58	84
SLUN 81PT	54	SLWN 12	63	SLZA 20P	80	SLZA 60	89
SLUN 82E	54	SLWN 13	63	SLZA 20PH	80	SLZD 01	105
SLUN 82ET	54	SLWN 14	64	SLZA 20PT	80	SLZD 01N	105
SLUN 82P	54	SLWN 15	64	SLZA 20T	82	SLZD 02	105
SLUN 82PT	54	SLWN 16	64	SLZA 21	82	SLZD 02N	105
SLUN 83E	54	SLWN 18L	65	SLZA 21H	82	SLZD 03	105
SLUN 83ET	54	SLWN 18LP	66	SLZA 21P	80	SLZD 03N	105
SLUN 83P	54	SLWN 18P	65	SLZA 21PH	80	SLZD 04	105
SLUN 83PT	54	SLWN 18PP	66	SLZA 21PT	80	SLZD 04N	105
SLVN 01	73	SLWN 28	66	SLZA 21T	82	SLZD 05	106
SLVN 02	73	SLWN 28P	66	SLZA 28	83	SLZD 05N	106
SLVN 02E	73	SLWN 30	64	SLZA 29	83	SLZD 06	106
SLVN 02EB	73	SLWN 38	66	SLZA 29T	83	SLZD 06N	106
SLVN 03	73	SLWN 38P	66	SLZA 30	89	SLZD 07	106
SLVN 03A	73	SLZ 01Y	119	SLZA 30A	85	SLZD 07N	106
SLVN 04	73	SLZ 01Z	119	SLZA 30AZ	85	SLZD 08	107
SLVN 05	73	SLZ 04X	119	SLZA 30B	85	SLZD 08N	107
SLVN 06	74	SLZ 04Y	119	SLZA 30BZ	85	SLZD 10	107
SLVN 07	74	SLZ 04Z	119	SLZA 30C	89	SLZD 10N	107
SLW 01NK	37	SLZ 05	120	SLZA 30CZ	89	SLZD 11	107
SLW 01NKB	37	SLZ 06	120	SLZA 30D	89	SLZD 11N	107
SLW 01P	37	SLZ 07	120	SLZA 30E	89	SLZD 34	107
SLW 01PA	37	SLZ 08	120	SLZA 30EZ	89	SLZD 34N	107
SLW 01PB	37	SLZA 01LM	81	SLZA 31	85	SLZD 35	107
SLW 02A	39	SLZA 01LMZ	81	SLZA 32	85	SLZD 35N	107
SLW 02F	39	SLZA 01LN	78	SLZA 32T	85	SLZD 36	107
SLW 02GT	39	SLZA 01LNZ	78	SLZA 35	85	SLZD 36N	107
SLW 02N	39	SLZA 01M	81	SLZA 35H	85	SLZD 37	107
SLW 02PA	38	SLZA 01MZ	81	SLZA 38	89	SLZD 37N	107
SLW 03PA	38	SLZA 01N	78	SLZA 40	83	SLZD 18	108
SLW 04PA	38	SLZA 01NZ	78	SLZA 40G	83	SLZD 18N	108
SLW 10NK	37	SLZA 02KM	81	SLZA 40GV	83	SLZD 19	108
SLW 10NKB	37	SLZA 02KMZ	81	SLZA 40V	83	SLZD 19N	108
SLW 10P	37	SLZA 02KN	78	SLZA 40VZ	83	SLZD 25	108
SLW 10PA	37	SLZA 02KNZ	78	SLZA 40Z	83	SLZD 25N	108
SLW 10PB	37	SLZA 02LM	81	SLZA 40GZ	83	SLZD 26	108
SLW 30A	38	SLZA 02LMZ	81	SLZA 40GVZ	83	SLZD 26N	108
SLW 30E	38	SLZA 02LN	78	SLZA 41	84	SLZD 28	108
SLW 30F	38	SLZA 02LNZ	78	SLZA 41Z	84	SLZD 28N	108
SLW 50	39	SLZA 02M	81	SLZA 43A	84	SLZD 29	108
SLW 51	39	SLZA 02MZ	81	SLZA 43AV	84	SLZD 29N	108
SLW 52	39	SLZA 02N	78	SLZA 43B	84	SLZD 12	111
SLW 53	39	SLZA 02NZ	76	SLZA 43S	84	SLZD 12N	111
SLW 54	39	SLZA 03M	82	SLZA 50	85	SLZD 13	111
SLWN 03	63	SLZA 03MZ	82	SLZA 51	89	SLZD 13N	111
SLWN 04	63	SLZA 03N	80	SLZA 51B	89	SLZD 14	111

SLZD 14N	111	SLZM 16W	116	SLZN 17	99	SLZN 45	99
SLZD 15	111	SLZM 17	116	SLZN 19	103	SLZN 46	102
SLZD 15N	111	SLZM 17X	116	SLZN 19X	103	SLZN 46D	102
SLZD 17	111	SLZM 17VIN	118	SLZN 20	91	SLZN 47D	90
SLZD 17N	111	SLZM 17W	116	SLZN 20V	91	SLZN 47H	91
SLZD 24	111	SLZM 18	116	SLZN 20X	91	SLZN 49AA	93
SLZD 24N	111	SLZM 18X	116	SLZN 21	92	SLZN 49AB	93
SLZD 20	112	SLZM 18VIN	118	SLZN 21Z	92	SLZN 49AC	93
SLZD 20N	112	SLZM 18W	116	SLZN 22	92	SLZN 49AD	93
SLZD 21	112	SLZM 19	116	SLZN 23	92	SLZN 52	113
SLZD 21N	112	SLZM 19X	116	SLZN 23V	92	SLZN 53	91
SLZD 22	112	SLZM 19VIN	118	SLZN 23X	92	SLZN 54	114
SLZD 22N	112	SLZM 19W	116	SLZN 24	93	SLZN 55	113
SLZD 23	112	SLZM 20	115	SLZN 26	90	SLZN 56Z	94
SLZD 23N	112	SLZM 20X	115	SLZN 26Z	90	SLZN 57	102
SLZD 30	112	SLZM 20VIN	117	SLZN 27	113	SLZN 57X	102
SLZD 30N	112	SLZM 20W	115	SLZN 30	113	SLZN 59E	97
SLZD 31	112	SLZM 21	116	SLZN 31C	64	SLZN 59EB	97
SLZD 31N	112	SLZM 21X	116	SLZN 31A	64	SLZN 59ES	97
SLZD 31X	112	SLZM 21VIN	118	SLZN 35	124	SLZN 59ESB	97
SLZD 33	113	SLZM 21W	116	SLZN 37	90	SLZN 60	97
SLZD 33N	113	SLZM 22	116	SLZN 37X	90	SLZN 61	98
SLZD 38	105	SLZM 22X	116	SLZN 37V	90	SLZN 62Z	100
SLZD 38N	105	SLZM 22W	116	SLZN 39A	99	SLZN 63Z	94
SLZD 39	105	SLZM 06	119	SLZN 39X	99	SLZN 64	114
SLZD 39N	105	SLZM 06N	119	SLZN 40	93	SLZN 64N	114
SLZM 10	105	SLZM 06VIN	119	SLZN 40V	93	SLZN 65	102
SLZM 10X	105	SLZM 30VIN	119	SLZN 41	93	SLZN 66	91
SLZM 10VIN	117	SLZN 01	90	SLZN 42	93	SLZN 67	102
SLZM 10W	115	SLZN 03	91	SLZN 42V	93	SLZN 67X	102
SLZM 11	115	SLZN 05	99	SLZN 43	93	SLZN 68	102
SLZM 11X	115	SLZN 06	99	SLZN 44AA	114	SLZN 68N	102
SLZM 11VIN	117	SLZN 07	99	SLZN 44AB	114	SLZN 70	102
SLZM 11W	115	SLZN 09	90, 112	SLZN 44AC	114	SLZN 71E	98
SLZM 12	115	SLZN 09N	90, 112	SLZN 44AD	114	SLZN 71ESB	98
SLZM 12X	115	SLZN 10	91	SLZN 44B	114	SLZN 72E	98
SLZM 12VIN	117	SLZN 10V	92	SLZN 44C	114	SLZN 73	100
SLZM 12W	115	SLZN 10X	92	SLZN 44D	114	SLZN 74	100
SLZM 13	115	SLZN 11	91	SLZN 44E	114	SLZN 76	102
SLZM 13X	115	SLZN 11V	92	SLZN 44F	114	SLZN 78X	94
SLZM 13VIN	117	SLZN 11X	92	SLZN 44G	114	SLZN 79X	94
SLZM 13W	115	SLZN 12	91	SLZN 44H	114	SLZN 80X	94
SLZM 14	115	SLZN 12V	92	SLZN 44J	114	SLZN 81	52
SLZM 14X	115	SLZN 12X	92	SLZN 44K	114	SLZN 81L	52
SLZM 14VIN	117	SLZN 13	11, 61	SLZN 44L	114	SLZN 82	69, 113
SLZM 14W	115	SLZN 14	11	SLZN 44M	114	SLZN 83E	27, 98
SLZM 15	115	SLZN 14MB	11	SLZN 44N	114	SLZN 83E2	27, 98
SLZM 15X	115	SLZN 14ML	11	SLZN 44P	114	SLZN 83E3	27, 98
SLZM 15VIN	117	SLZN 14VB	11	SLZN 44R	114	SLZN 83E4	27, 98
SLZM 15W	115	SLZN 14VL	11	SLZN 44S	114	SLZN 83E5	27, 98
SLZM 16	116	SLZN 15	92	SLZN 44T	114	SLZN 83E6	27, 98
SLZM 16X	116	SLZN 15V	92	SLZN 44U	114	SLZN 83ER	27, 98
SLZM 16VIN	117	SLZN 15X	89	SLZN 44V	114	SLZN 83ER2	30, 99

PICTOGRAMS



EXTENDED 5 YEARS GUARANTEE PERIOD FOR SANELA ELECTRONICS



ECONOMICAL URINAL FLUSHING SYSTEM WITH FLUSHING BY 1 LITER OF WATER, SPECIAL SUCTION SIPHON IS A PART OF DELIVERY



ECONOMICAL AERATOR, RATE OF FLOW 6 L/MIN, ASSURES CONSIDERABLE SAVING OF WATER



VANDAL-PROOF, HIGHLY RESISTANT TO WEAR AND MECHANICAL DAMAGE



PRODUCT THAT MEET THE REQUIREMENTS OF HANDICAPPED AND PEOPLE WITH LIMITED MOBILITY



PRODUCT SUITABLE FOR HEALTH CARE FACILITIES



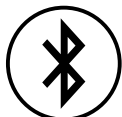
AUTOMATIC HYGIENIC FLUSH POSSIBILITY OF ACTIVATION BY TAPS AND SHOWERS AS THE PREVENTION AGAINST LEGIONELLA BACTERIA



PRODUCT SUITABLE FOR PRISONS AND PSYCHIATRIC HOSPITALS, MEET THE REQUIREMENTS OF HIGH RESISTANCE TO MECHANICAL DAMAGES AND MINIMIZE POSSIBILITY OF SELF-HARM OR SUICIDE OF USERS



LEAD-FREE TECHNOLOGY MEETS THE STRICT STANDARDS FOR DRINKING WATER DISTRIBUTION, WHICH IS THANKS TO ITS EASY RECYCLABILITY ALSO VERY ENVIRONMENTALLY FRIENDLY



SETTING PARAMETERS BY BLUETOOTH



INSTALLATION WITHOUT DRILLING, USING 3M VHB (VERY HIGH BOND) DOUBLE-SIDED ADHESIVE TAPE FOR PERFECT FIXATION



INSTALLATION WITHOUT DRILLING, USING 3M VHB DOUBLE-SIDED ADHESIVE TAPE FOR PERFECT FIXATION
FOR PRODUCTS WITH HIGHER LOADS, THE USE OF A SPECIAL IMPREGNATION IS RECOMMENDED TO INCREASE THE ADHESION OF 3M VHB TAPE



INSTALLATION USING MOUNTING KIT



SLU 68

BLUETOOTH CONTROL

LEVER CONTROL

HYGIENIC FLUSH

TOUCHLESS CONTROL

PULL-OUT SHOWER

360° SWIVEL SPOUT



SANELA spol. s r.o.

Dukelských hrdinů 989 • 563 01 Lanškroun

tel.: +420 465 350 770-1

e-mail: sanela@sanela.cz

www.sanela.eu



EN ISO 9001:2015