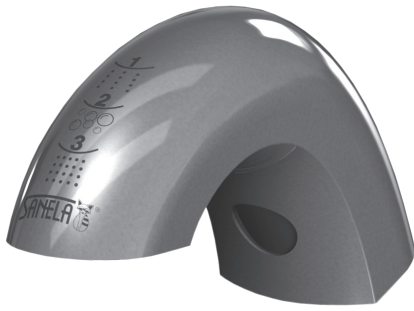


Automatic Washbasin Tap with Soap Dispenser

SLU 45M, SLU 45MD, SLU 46M, SLU 46MD



SLU 45M, 46M

Characteristics



- economical aerator, rate of flow 6 l/min
- lead free, hygienic flush, vandal-proof
- reacts to hands in the active range (max. range to 0,3 m)
- possibility of parameters adjustment by SLD 03
- SLU 45M a SLU 45MD are destined for cold or premixed water
- SLU 46M a SLU 46MD are destined for cold and hot water, temperature is regulated by angle valves
- SLU 45M a SLU 46M are suitable for public places, part of supply is lockable box with 5 liter container for soap
- SLU 45MD a SLU 46MD are suitable for private places, part of supply is 0,5 l container for soap which is easy accessible on holder under the washbasin



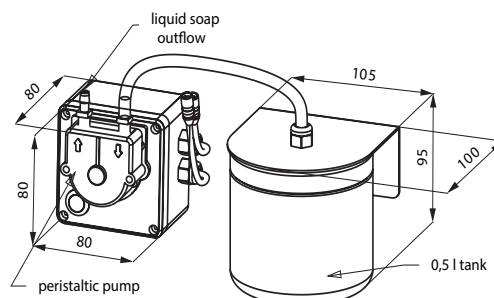
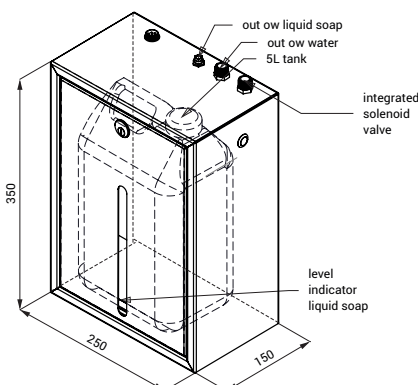
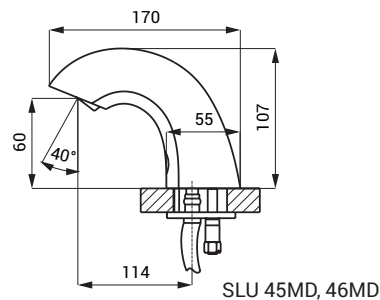
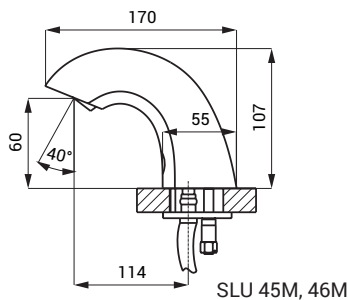
System Function

- 1/ water starts to flow for 1 sec.
- 2/ ensues pause 0,5 sec.
- 3/ after pause soap dispenser starts to flow for 2,6 sec., it corresponds to about 1 ml of soap (possible to adjust from 1,3 - 13 sec. corresponds to 0,5 - 10 ml of soap)
- 4/ ensues pause 2 sec. (possible to adjust from 0,5 - 15 sec.)
Soap spreading
- 5/ water starts to flow as long as hands are in active range of sensor
- 6/ reactivation of whole process needs 2 sec. after valve closing

Technical Specification

Operating voltage	24V DC
Power input	7 W
Active range	0,3 m
Recommended flow pressure	0,1 - 0,6 MPa
Rate of flow	6 l/min. (inf. data)
Water inlet	male thread G 1/2"
Soap container volume:	
SLU 45M, SLU 46M	5 l
SLU 45MD, SLU 46MD	0,5 l

Dimensions



Automatic Washbasin Tap with Soap Dispenser

SLU 45M, SLU 45MD, SLU 46M, SLU 46MD



Stainless steel lockable box (5L)

Supply Specification

SLU 45M – supply No. 03452	stainless steel tap with integrated electronics; connecting hoses; angle valve; stainless steel box with electromagnetic valve, 5 l container, soap pump and connecting hoses for soap
SLU 45MD – supply No.03466	stainless steel tap with integrated electronics; electromagnetic valve; connecting hoses; angle valve; container 0,5 l for soap with holder on the wall and connecting hoses; box with soap pump, SLZ 07 - external power supply 230/24V DC for wall socket
SLU 46M – supply No. 03465	stainless steel tap with integrated electronics; connecting hoses; angle valve with filter and check valve (2 pcs.); stainless steel box with electromagnetic valve, 5 l container, soap pump and connecting hoses for soap
SLU 46MD – supply No. 03467	stainless steel tap with integrated electronics; electromagnetic valve; connecting hoses; angle valve with filter and check valve (2 pcs.); container 0,5 l for soap with holder on the wall and connecting hoses; box with soap pump, SLZ 07 - external power supply 230/24V DC for wall socket

Recommended Accessories

SLZ 01Y – supply No. 05012	external power supply 24V DC for operating of max. 2 pcs. of washbasin taps (only for 45M, 46M)
SLZ 01Z – supply No. 05011	external power supply 24V DC for operating of max. 4 pcs. of washbasin taps (only for 45M, 46M)
SLZ 03 – supply No. 05030	switched power supply 24V DC for operating of max. 9 pcs. of washbasin taps (only for 45M, 46M)
SLZ 04Y – supply No. 05042	external power supply 24V DC on DIN rail for operating of max. 5 pcs. of washbasin taps (only for 45M, 46M)
SLZ 04Z – supply No. 05041	external power supply 24V DC on DIN rail for operating of max. 9 pcs. of washbasin taps (only for 45M, 46M)
SLZ 04X – supply No. 10049	external power supply 24V DC on DIN rail for operating of max. 15 pcs. of washbasin taps (only for 45M, 46M)
SLZ 06 – supply No. 05060	external power supply 24V DC for operating of max. 1 pc. of washbasin tap (only for 45M, 46M)
SLZ 07 – supply No. 05070	External power supply 230/24V DC for wall socket
SLD 03 – supply No. 07030	universal remote control for an adjustment of all products with infra-red electronics
SLT 04 – supply No. 09040	thermostatic valve 3/4", rate of flow 28 l/min by the pressure 0,1 MPa
SLT 05 – supply No. 09050	thermostatic valve 1/2", rate of flow 42 l/min by the pressure 0,1 MPa